

Honeywell Model 700/800 Signal Processor and Viewing Head

USER MANUAL



Two signal processor models are available:

- Model 700ACSP Universal 85-265 VAC powered, plus 24VDC backup.
- Model 700DCSP 22-26VDC powered, plus 24VDC backup.

The two Model 700 signal processors are similar, with 12 push-buttons, a two-digit numeric display, and four LED status indicators for operator interface. The only difference between the two is that one accepts AC power and the other accepts DC power. Both models also accept 24VDC backup power. Most of the signal processor connections are made through Phoenix plug-in connectors. Communication connections are made through modular phone jacks located at the top of the signal processors (Fig. 9).

Both signal processor models mount on a standard 35 mm DIN rail. They snap into place and may be released from the rail using a flat screwdriver.

There are two types of viewing heads—IR/flicker-sensitive and UV-sensitive—with various features offered resulting in ten different models. See Table 1 on page 2 for details.

The S702 and S706 viewing head housings are larger in diameter than the S80X series, are made of aluminum, and are secured with over-center latches to their mounting blocks (Fig. 10). In contrast, the S802 and S806 viewing head housings are smaller in diameter and are made of stainless steel (Fig. 11). An 800 series viewing head is secured in its mounting block by a friction twist-lock.

The IR/flicker sensitive viewing heads have a high-pass filter that passes flicker frequencies above 33 Hz. The UV models respond to the level of UV radiation—not UV flicker—so there is no filter option.

APPLICATION

The Honeywell Model 700ACSP and Model 700DCSP signal processors are single-channel, fail safe, flame monitoring systems when used in conjunction with the S70X/S80X viewing heads. They offer easy setup, excellent discrimination, and high reliability.

FEATURES

Viewing heads are interchangeable between the two signal processor models. Any viewing head in the two families will work with any of the signal processors.

Contents

Application	1
Features	1
Specifications	2
Approvals	3
Installation	3
Operation	11
Modbus Communication	16
Troubleshooting	19
Maintenance	19
Safety Manual: 700 Signal Processor	35
Safety Manual: S70X & S80X Viewing Head	38



Table 1. Available viewing head models and associated features.

Model	Connector	Pipe Fit Connection 0.5 in. NPTM with 10-ft (3 m) pigtail	UVTron Sensor	IR Sensor	High Frequency Filter 155Hz	Aluminum Housing	Stainless Steel Housing
S702	X			X		X	
S702PF		X		X		X	
S706	X		X			X	
S706PF		X	X			X	
S802	X			X			X
S806	X		X				X

1. All models include Electronic self-check.
2. Flicker Frequency filter settings available for IR sensor models.
3. Gain Selection available through Signal Processor.

The viewing heads, the viewing head connector, and the 15 foot cable provided are watertight, and have IP64 ratings when the connector is properly tightened with pliers and the cable is protected from UV exposure.

The availability of both UV-sensing and IR/flicker-sensing viewing heads ensures that the flame monitoring systems can provide good discrimination in most single and some multiple burners firing a single fuel. UV sensing is appropriate for monitoring natural gas, some mixed gases and light oil flames. IR/ flicker sensing is appropriate for monitoring heavy oil and coal flames.

SPECIFICATIONS

Series 700 and 800 Viewing Heads

MODELS S702, S702PF, S706, AND S706PF MODELS S802 AND S806

Electrical

24VDC Power is supplied by Signal Processor

Environmental

Viewing Head Sealing: IP64 rated when the metallic connector ring is tightened with pliers and a UV protection is provided for the cable by installing in conduit.

Ambient Temperature: -40°F to 185°F (-40°C to 85°C) CSA for CLASS I, DIV 2, GROUPS A, B, C, D, T4A
-40°F to 149°F (-40°C to 65°C) IECEx CSA Ex nA IIC T4 Gc

IR Detector Spec

S702, S702PF, S802: Germanium photodiode with spectral response 950nm to 1710nm (1/2 intensity points) and peak spectral response at 1400nm

High Pass Filter Pickup: 33 Hz standard

IR Optical

Angle of View: 1 degree (1.45 in. dia. at 6 ft. or 3.7 cm dia. at 1.8 m)

UV Detector Spec

S706 & S706PF, S806: UVtron with spectral response 185nm to 260nm and a peak response at 210nm

UV Optical

Angle of View: 5 degrees (1 inch per foot)

Cable & Connectors - S70X/S80X Viewing Heads

New installations - highest level of EMI shielding available:
ASY785 --> 50 foot C330S cable with pre-wired ASY786 connector.
ASY785-200 --> 200 foot C330S cable with pre-wired ASY786 connector.
ASY786 --> Field wireable connector with shield.

Dimensions

Refer to Fig. 10 and Fig. 11.

Model 700ACSP & Model 700DCSP Signal Processor

Electrical: Model 700ACSP

Primary Input Power: 85-265VAC, 50-60 HZ, 0.07A Max. fused (with either V.H. connected)

Battery Backup Voltage: 22VDC to 26VDC, 0.2A DC Max. fused (with either V.H. connected)

Electrical: Model 700DCSP

Primary Input Power: 22VDC to 26VDC, 250 mA Max. fused (with either V.H. connected)

Battery Backup Voltage: 22VDC to 26VDC, 0.5A DC Max., fused (with either V.H. connected)

Outputs

Flame Relay: 2 form C contacts

Self-Checking Relay: 1 form C contact

Relay Contact Ratings: 5A at 125 VAC, 277 VAC, & 30 VDC; 1/8 HP 125 & 250 VAC

Analog Flame Signal: Isolated 0 to 20 mA or 4 to 20 mA output for remote meters or DCS, 360 ohms maximum resistance

Environmental

Ambient Temperature: 32°F to 140°F (0°C to 60°C)

Dimensions

Refer to Fig. 12 and Fig. 13.

APPROVALS

S70X/S80X Viewing Heads (Connector series and Pipe fit series [PF])

CSA for CLASS I, DIV 2, GROUPS A, B, C, D & T4A
SIL 3 "Fit for Use" -40<Ta<85°C, -40<TA<185°F



IECEX CSA Ex nA IIC T4 Gc IP64
-40<Ta<65°C, -40<TA<149°F

*IP64 rating applies when connector ring is properly tightened and cable is UV shielded

Special Conditions for Safe Use: The input voltage rating of the equipment (22 to 26 VDC) must be protected so that the transients are limited to a surge of 119 V. This protection is not necessary for the signal output lines.

KTL
S702/S706 Viewing Head (Connector series)



KTL
15-KA4BO-0199X

KTL
S702PF/S706PF Viewing Head (Pipe fit series)



KTL
15-KA4BO-0196X

KTL
S802/S806 Viewing Head (Connector series)



KTL
15-KA4BO-0197X

700ACSP and 700DCSP Signal Processors

CSA (C, US)
FM

INSTALLATION

When Installing These Products...

1. Read these instructions carefully. Failure to follow them could damage the products or cause a hazardous condition.
2. Check the ratings given in the instructions and one the products to make sure the products are suitable for your application.
3. Installer must be a trained, experienced, flame safeguard control technician.
4. After installation is complete, check out product operation as provided in these instructions.

Signal Processor Mounting

The 700ACSP and 700DCSP signal processors mount on a standard 35mm DIN rail. They snap into place and may be released from the rail using a flat screwdriver.

Grounding and Shielding

NOTE: Installer must be a trained, experienced flame safeguard service technician and should be familiar with the equipment operation and limitations and be aware of any applicable local codes and regulations.

1. Connect a safety ground to the viewing head housing (if applicable). A ground screw is provided on the exterior of s70x/s80x viewing head housings for this purpose.

⚠ WARNING

The viewing head housing is grounded through cable/signal processor, so you must ensure that AC/DC potentials at ground of signal processor and viewing head are the same, or damage to the cable or signal processor can result.

2. The viewing head and all associated cable/conduit must be at least 12 inches (31 cm) from any source of high energy or voltage (for example, igniter equipment).
3. Install a ground wire from the ignition transformer case to the igniter assembly.
4. Ensure all igniter wires and cables show no signs of wear. Replace any igniter cables or wires that are frayed or cracked.
5. The viewing head must be electrically isolated from the burner front.
 - a. Electrical isolation can be accomplished by installing an Ultem nipple (R-518-13) or an Ultem locking coupler adapter (R-518-PT13 or R-518-PT13L) in conjunction with a locking coupler (R-518-CL13-HTG) between the viewing head flange and the burner mount.
 - b. The purge air line should also be isolated from the viewing head. This can be accomplished by

installing any insulating material, for example a rubber hose, in between the purge air line and the viewing head.

Signal Processor Power Connections

The Model 700ACSP power and relay connections are shown in Fig. 1. The AC power supply to the 700ACSP Signal Processor passes through a 2A fuse and an inrush current limiter.

The Model 700DCSP power and relay connections are shown in Fig. 2. The maximum current requirement for each 700DCSP is 250mA.

In the Model 700 signal processors the flame relay (RF A/B ON, OFF, COM) has two sets of FORM C (SPDT) contacts and the self-check relay (SC ON, OFF, COM) has one set (Fig. 1 and Fig. 2). The self-check relay is energized whenever the signal processor is powered and is operating normally, whether the flame relay is energized or not. Internally, the flame relay is wired in series with the self-check relay (not shown), which prevents the flame relay from energizing if the self-check relay is not energized.

Unique fail-safe circuitry for the self-check and flame relays ensure that in the event of any critical component failure occurrence, system response will be to de-energize the self-check relay, which in turn de-energizes the flame relay.

Some of the internal power wiring of the Model 700ACSP and Model 700DCSP signal processors is shown in Fig. 1 and Fig. 2. Rectifier diodes separate the battery backup input from the main power bus until the battery voltage exceeds the internal DC voltage plus a diode voltage drop. Resettable fuses (shown as resistors with slashes) and conventional fuses prevent internal failures from loading the power sources.

With the Model 700DCSP, if a backup battery is to be used with a main power supply, the two power sources would be wired as shown in Fig. 2. If no backup battery is to be installed, the main power supply can be connected at +26V PWR and GND as shown in Fig. 2 or it can be connected to the +24V BATT input and GND. It is preferable to use the battery connections because it takes advantage of the resettable fuse at the battery input; resettable fuses recover automatically from a fault within a few seconds after power is removed. At the +26V PWR input and its associated GND, conventional 1A fuses are used because they are able to protect against 240VAC being applied by accident (this could happen if a Model 700DCSP is installed in a cabinet wired for a Model 700ACSP).

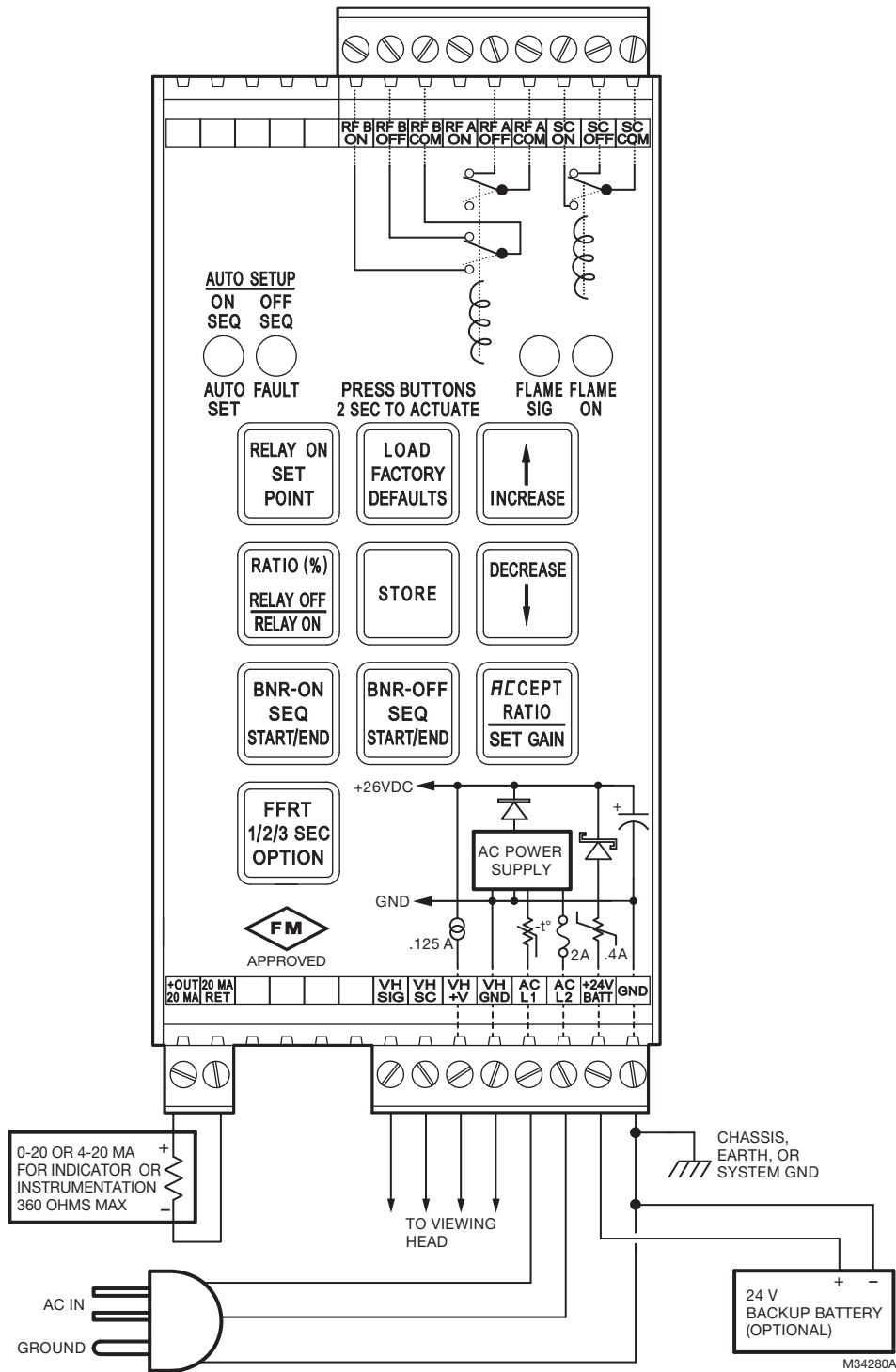


Fig. 1. Model 700ACSP Signal Processor Wiring.

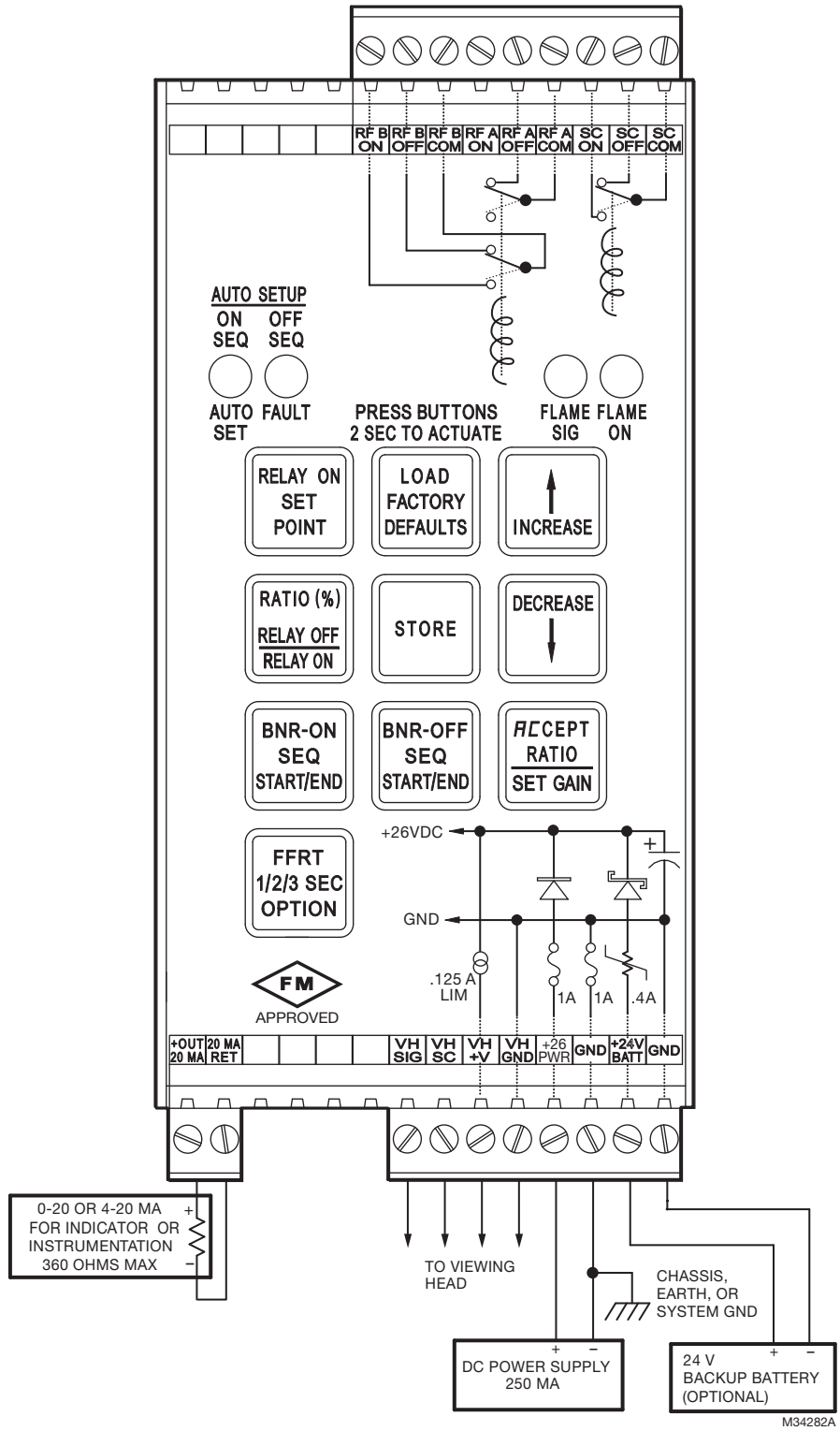


Fig. 2. Model 700DCSP Signal Processor Wiring.

Viewing Head Connector and Wiring

Viewing heads are wired to the appropriate terminals located on bottom of the 700ACSP, 700DCSP, P531 or P532 signal processors. The terminals are listed functionally in Table 2.

Table 2. Terminal Descriptions.

700ACSP or 700DCSP Terminal	P531 or P532 Terminal	Description
VH SIG	VH3 SIG	Flame Signal from Viewing Head
VH SC	VH3 SC	Shutter Drive Signal to Viewing Head
VH +V	VH3 +V	+24VDC Power to Viewing Head
VH GND	VH3 GND	GND Signal Ground

Connectors and cables are shown in Fig. 3, Fig. 4, and Fig. 5. Fig. 3 shows the viewing head cable with the 1/2 in. NPT pipe fitting and pigtail for use in a conduit. The PF model comes with 10 feet of Honeywell C330S cable. This cable is recommended for all new installations. It has ITC and CIC ratings for hazardous location. Figs. 4 and 5 describe the C330S cable used with the right angle field-wireable connector. Refer to “Accessories” on page 11 for part numbers.

S70x/S80x Viewing Head Hazardous Location Installation of Cables and Connectors



WARNING

EXPLOSION HAZARD

DO NOT CONNECT OR DISCONNECT THIS EQUIPMENT UNLESS POWER HAS BEEN REMOVED OR THE AREA IS KNOWN TO BE NONHAZARDOUS.

SUBSTITUTION OF COMPONENTS MAY IMPAIR SUITABILITY FOR CLASS I, DIVISION 2.



AVERTISSEMENT

RISQUE D'EXPLOSION

NE PAS DEBRANCHER TANT QUE LE CIRCUIT EST SOUS TENSION, A MOINS QU'IL NE S'AGISSE D'UN EMPLACEMENT NON DANGEREUX.

LA SUBSTITUTION DE COMPOSANTS PEUT RENDRE CE MATÉRIEL INACCEPTABLE POUR LES EMPLACEMENTS DE CLASSE I, DIVISION 2.

The S70x/S80x viewing heads must be installed with a connector and cable assembly that maintains the ingress protection at the S70x/S80x viewing head. Additionally, ITC/CIC approved cable installed in cable tray, or ITC/CIC approved cable in metal conduit must be used between the S70x/S80x and Signal Processor. Pre-assembled connector/cable assemblies are listed below that provide the proper seal at the viewing head, and meet ITC/CIC approvals. A field wireable connector that provides a proper seal at the viewing head, along with ITC/CIC rated raw cable are also available and listed below. The cable installation must conform to the latest version of the National Electric Code, or Canadian Electrical Code for Class I, Division 2 hazardous locations.

Additionally, the connector must be secured as follows: hand-tighten the connector at viewing head, until it can no longer be turned. Continue tightening the connector an additional 180 degrees using pliers, or similar tool.



WARNING

Over-tightening the connector can damage the connector or housing.

Damage will void warranty and hazardous location approvals. Do not exceed 180 degrees of further rotation after hand tightening!

Verify that connector cannot be loosened by hand. This is required for hazardous location installations.

ASY785 – Pre-assembled connector with led indicators and 50 foot cable assembly, IP67 rated with CIC/ITC approved cable.

ASY785-200 – Pre-assembled connector with led indicators and 200 foot cable assembly, IP67 rated with CIC/ITC approved cable.

C330S – ITC/CIC rated 4 conductor 22g cable with drain wire, and overall shield.

ASY786 – Field wireable connector with led indicators , IP67 rated.

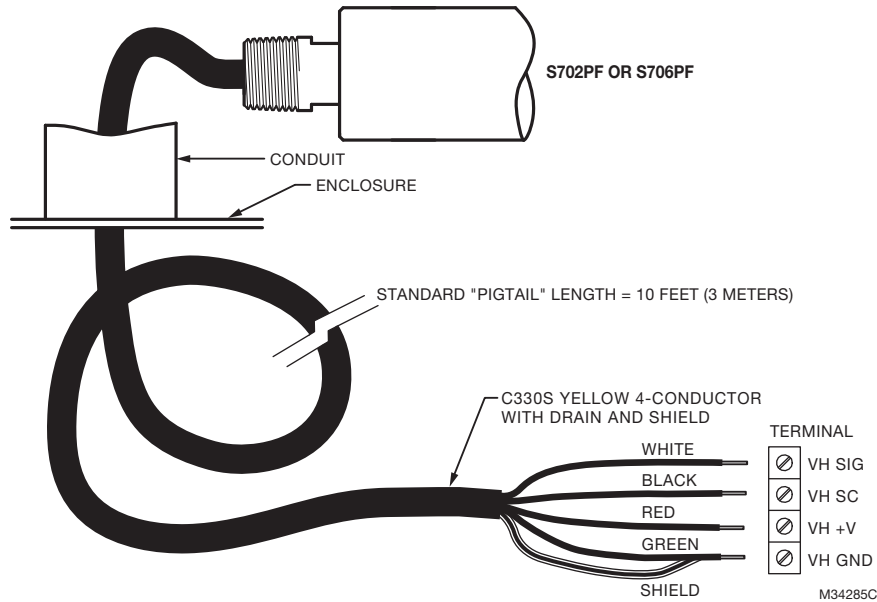


Fig. 3. Model 700 Viewing Head Cable With 1/2 in. NPT Fitting.

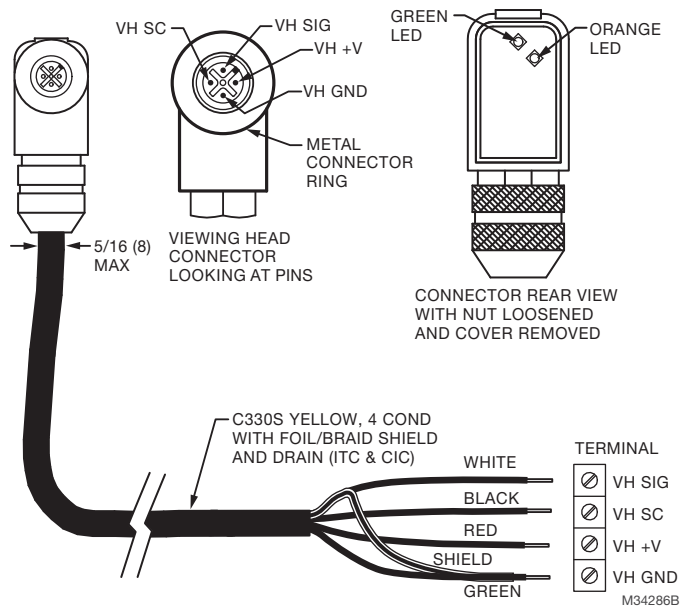


Fig. 4. Model 700/800 Viewing Head Cable Connections.

Cable Preparation

NOTE: This section will typically be used for reference only. The S70X/S80X connector parts are very small and delicate and difficult to assemble. It is advisable to purchase pre-made cables from Honeywell.

Honeywell C330S cable is recommended for use with the S70X/S80X viewing heads and signal processors. C330S has a UL ITC rating and can be used in the U.S. in hazardous locations.

NOTE: Shield shrink tubing is required on shield drain wire at the signal processor end.

Preparation of the C330S cable at the signal processor should be done as follows:

1. Referring to Fig. 5, strip cable 2 inches back to expose the braided shield.
2. Pull braided and foil shield back so that only drain wire is at 2 inch length. Trim the foil and braid shields at the cable jacket.
3. Insulate the drain wire with heat shrink.
4. Strip other wires as shown in Fig. 5.

Connection of the Honeywell type C330S cable to the viewing head plug is shown in Fig. 7. Cable preparation should be done as follows:

1. Prepare C330S wire at plug end similarly to Fig. 5.
2. Assemble the field-wireable plug as shown in Fig. 7. Ensure that:
 - a. Wires and LEDs are in proper locations per Fig. 4.
 - b. Braided shield is on outside of ferrule, and pressed against housing when assembled.
 - c. Solder drain wire to housing at one of two holes at entry (see Fig. 6).
 - d. Connector back plate gasket is in place before installation.
 - e. After assembly, check that connector is tight and well secured.

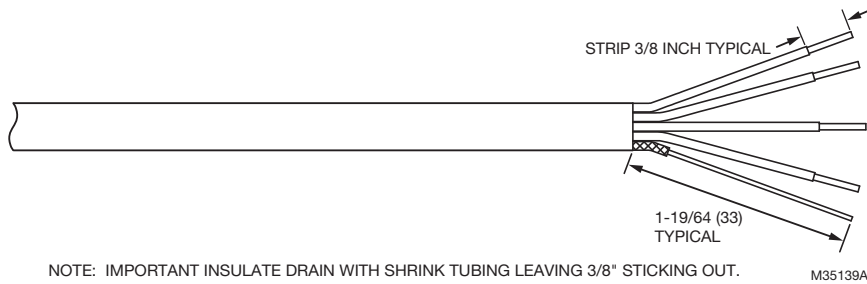


Fig. 5. C330S Signal Processor End Cable Preparation.

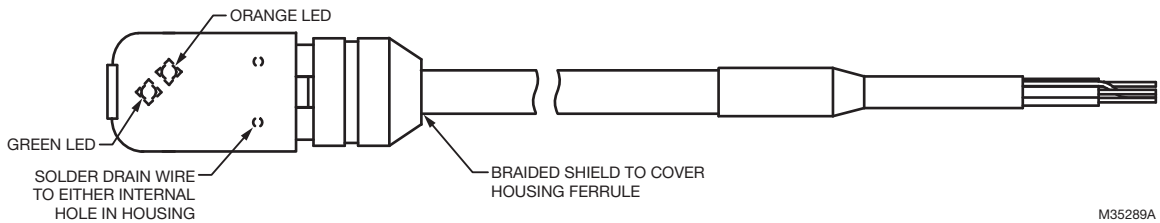


Fig. 6. Soldered Drain Wire Location.

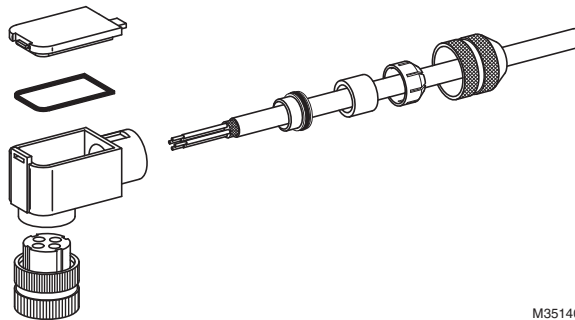


Fig. 7. ASY786 Viewing Head Plug Assembly with C330S.

Protecting the Viewing Head Cable (Connector Series)

Note that when the wiring needs to meet Class I, Division 2 requirements for use in hazardous locations and when conduit is used, the conduit must be sealed where the cable passes from the hazardous location to the non-hazardous location in order to keep potentially hazardous gases from being conducted into the non-hazardous area.

Viewing Head Connector LED Indicators

The viewing head connector has orange and green LEDs which can be viewed from the rear of the connector when the connector cover is removed.

The green LED displays the pulses out of the viewing head and the orange LED shows that the self-checking signal from the signal processor is reaching the viewing head. If power is on at the signal processor, the orange LED should flash at one pulse per second, even if the viewing head is not plugged in. This is helpful in troubleshooting.

With no flame signal present, the green LED will flash one pulse per second in step with the self-checking signal. The viewing head is sending back an ID pulse; this is part of the self-checking system. When a flame is present, the green LED will flash at a rate proportional to the flame signal, except

when the pulses are interrupted once per second for the self-check pulse arrival at the viewing head. The pulse rate of the green LED flashes can be used for aiming the viewing head.

NOTE: The LED indicators are provided for alignment and troubleshooting only. Reinstall cover with gasket correctly in place at all times, and ensure that connector coupling is tightened securely. This gasket and cover must be installed properly to maintain IP67 rating.

Viewing Head Mounting and Sighting

Mounting is 1/2-in. NPT (F) for all viewing head models with a 1/4-in. NPT (F) purge air connection. Before beginning installation, determine the best location for mounting the viewing head based upon the following factors:

Viewing Head Mounting Block

The S70X viewing heads are held firmly in place in their mounting blocks by two zinc-plated steel latches. The S80X viewing head is secured in its mounting block by a friction twist-lock. Refer to the ACCESSORIES section for part numbers.

Pressure

The S70X viewing head lens will withstand 50 psi (3.4 bar) while the S80X lens will withstand 90 psi (6.2 bar), provided the compression ring on the purge air adapter is tightened properly. If the lens assembly is exposed to greater pressures through the sight pipe, then an isolation unit must be used. Honeywell isolation units with purge air entrance are available as accessories; ISO-UNIT, ISO-UNITSS, ISO-UNITHPGT. Each has a quartz window, two 1-in. NPTF connections and a 1/2-in. NPTF purge port.

Temperature

The case temperature of the viewing head housing must not exceed 185°F (85°C) while the standard Delrin mounting block must not exceed 180°F (82°C) continuous service. Care should be taken to ensure the case housing and mounting block temperatures do not exceed these values.

Purge air will help reduce conducted heat through the sight pipe and flange. A heat insulating Ultem replacement viewing head mounting block is available for both the S70X/S80X models (part numbers 700UA and 800UA) with a continuous service rating of 320°F (160°C) as well a 1/2-in. NPTM Ultem nipple (part number R-518-13) or an Ultem locking coupler adapter (R-518-PT13 or R-518-PT13L) to reduce the conducted heat, but direct radiation can cause the housing case temperature to exceed limits. If the ambient heat (direct radiation) is excessive, then an air cooling canister with vortex cooler should be considered or alternately a fiber optic extension. The extension uses a fiber optic cable assembly between the sight pipe and the viewing head, allowing the viewing head to be placed further away from the heat source. Refer to the Fiber Optic Manual 69-2683 or contact your distributor or the factory for assistance with fiber optic selection and pricing.

Purge Air

Use a flexible air supply line, to allow for repositioning of the viewing head and sight pipe until a final and permanent position has been decided. A continuous flow of air must be maintained in order to reduce the conducted heat and to keep the sight pipe and viewing head lens free of dirt and debris. Air required is about 5 SCFM (0.13 Nm³/min) delivered at 1 in. (25mm) above the maximum pressure as measured at the “Y” or “T” section of the purge air connection for each viewing head. The air supply must be clean, free of oils and water, and preferably cool. In order to electrically isolate the viewing head, the purge air line should be installed using an insulating material, such as a rubber hose, in between the purge air line and the viewing head.

Vibration

Do not install the viewing head where it could be subject to high vibration. Provide an anti-vibration mount if excessive vibrations are present.

Clearance

Make sure there will be sufficient room to remove the viewing head housing for servicing.

Viewing Head Mounting

Honeywell offers a range of swivel mounts, both pipe thread or flange mounting for use with sight pipes or direct wind box mounting. See “Accessories” on page 11 or the Honeywell website for further details.

Viewing Head Sighting

The sighting of the viewing head should be parallel to the center line of the burner in the direction of the flame. If used, the sight pipe should be mounted as close to the center line as possible so as to sight along the flame rather than across the flame. Doing so will ensure continuous flame detection under changing load conditions. See Fig. 16, 17 and 18.

Utilizing a sighting or the sight pipe aimed at the root of the flame (where the turbulent combustion air mixes with the flame) is a good starting point for optimizing the sighting. Where practical, using a swivel mount to “zero-in” on the highest signal will assure maximum performance. The optimum scanner location is parallel to the burner center line. The use of a swivel mount allows for line of sight adjustment, where practical to use.

Examples of viewing head installation with and without a swivel mount are shown in Fig. 14 and Fig. 15. If using a sight pipe, its diameter should be large enough to allow a reasonable field of view, and to allow for adjustment of the swivel mount angle.

In some instances, it may be beneficial to use two sets of setpoints for Flame On, Flame Off and gain. The two-channel capability (primary and alternate viewing head settings) is ONLY possible when using the P531 or P532 signal processors; it is not possible when using the 700ACSP or 700DCSP signal processors. The switch-over from Channel A to Channel B can be implemented from the burner control system. Refer to the P531/P532 user manual, 66-2068, for further information regarding switch-over and the use of Channels A and B with independent settings.

ACCESSORIES

Orifice disks (kit M-702-6) - Used to reduce the signal brightness in cases where the signal brightness is too strong. Located immediately in front of the lens, it will reduce the amount of signal to the sensor. Bag assembly contains orifice disks and retaining rings. Orifice disks come with 3/8, 1/4, 3/16 and 1/8 inch diameter holes. Contact the factory for guidance in using orifice disks.

Insulating nipple (R-518-13) - 1/2-in. NPTM Ultem heat and electrical insulating nipple typically used in conjunction with a swivel mount and union.

VH insulating mounting block (700UA, 800UA) - 1/2 in. NPTF Ultem heat and electrical insulating mounting block, used in place of the supplied Delrin mounting block. 1/4 in. NPTF purge air connection. Typically used in conjunction with a swivel mount. Rated for continuous service up to 320°F (160°C).

Swivel mounts, small (700-1, 700-2, 700-3) - All have 1/2 in. NPTM viewing head connections on one end with varying process connections including 1 in. NPTF, 1/2 in. NPTF and 1/2 in. flanged.

Swivel mounts, large (M-701-1, M-701-2, M-701-2-FLG, M-701-2-SS, M-701-3, M-701-3P, M-701-4) - All have 1 in NPTF viewing head connections, one end with varying process connections including 2 in. pipe slip on, 2 in. NPTF, 2 in. flanged, 2 in. NPTF in stainless steel construction, 4.5 in. flanged with 3 bolts, 3 in. NPTF and 2-bolt flanged. Appropriate fittings must be used to adapt the 1/2 in. NPTF viewing head process connections.

Insulating locking coupler adapters (R-518-PT13, R-518-PT13L) - 1/2 in. NPTM Ultem adapters insulate the viewing head electrically and thermally and are used with the R-518-CL13-HTG locking couplers. The R-518-PT13L has a quartz lens.

Locking coupler (R-518-CL13-HTG) - Used with the R-518-PT13 and R-518-PT13L insulating locking coupler adapters. Process connection end is 1/2 in. NPTF.

Connector

ASY786 --> Replacement field wireable connector.

Cable and Connectors - S70X/S80X Viewing Heads

ASY785 --> 50 foot C330S cable with pre-wired ASY786 connector.

ASY785-200 --> 200 foot C330S cable with pre-wired ASY786 connector.

Cable (C330S) - 4-conductor with drain, foil/braided shield. Sold per foot.

Isolation Units (ISO-UNIT, ISO-UNITSS, ISO-UNITHPGT) - All have 1 in. NPTF connections with 1/2 in. NPTF purge ports and quartz window. Black anodized aluminum or stainless steel construction. The HPGT version has a 1/2 in. thick quartz window for higher pressures. Appropriate fittings must be used to adapt the 1/2 in. NPTF viewing head process connections.

Air cooling canister (700ACC, 800ACC) - Has an air inlet port on side. Used with vortex coolers. S80X models can be used with the 700ACC if the 800ACC-RING adapter is used.

Vortex coolers (M3204, M3208, M3210, M4025) - Used with air cooling canister. Contact your distributor or the factory for selection assistance.

Cable restraints (800CR, 700CRLT) - Liquid tight S80X and S70X cable restraint versions. The 800CR includes the 700CRLT and the 800ACC-RING adapter.

S80X adapter ring (800ACC-RING) - Adapter ring to fit S80X viewing heads to 700ACC cooling jacket and 700CRLT liquid tight cable restraint.

Mounting blocks (700DA, 700DA-1, 800DA) - Delrin replacement adapter/mounting blocks for S70X and S80X viewing heads. All have 1/4 in. NPTF purge air connections. Rated for continuous service up to 180F (82C). The 700DA and 800DA have 1/2 in. NPTF process connections while the 700DA-1 has a 1 in. NPTF process connection. For more 1 in. NPT accessories that can be used with the 700DA-1, refer to the S55XBE manual, 66-2064.

USB to RS422/RS485 Converter (COMMODO) - Protocol converter for use with external communication with a remote computer.

Fiber Optic System Compatibility - The S70X and S80X viewing heads are compatible with the Honeywell FASA fiber optic extension products. The S700FOAD and S800FOAD adapters are applicable, depending on the application. Contact your distributor or the factory for assistance with fiber optic selection and pricing.

OPERATION

IR Detector

The S702 and S802 viewing head models use a Germanium photodiode, which responds to IR radiation/flicker in the flame. Flame flicker is caused by the combustion, or forced air injected in to the flame. Combustion air can be mixed with the fuel (pulverized coal) or can be introduced separately. In either case, forced air is introduced in such a way as to aid the combustion process. This air is usually made turbulent by causing it to swirl with spin vanes located in the burner throat. Flame flicker is created when turbulent air mixes with the flame. It is composed of random frequencies and the amount of high frequency flicker is dependent on the fuel and the burner.

The S702, S702PF and S802 viewing head models respond to flicker frequencies above 33Hz. All flicker frequencies below the filters are ignored, so it is important to sight the viewing head on the highly turbulent portion of the flame that contains the higher frequencies. The location of the higher frequencies can be predicted by examining the burner with regard to where the turbulent air enters the flame. The optimum scanner location is parallel to the burner center line (Fig. 16). The use of a swivel mount is encouraged to allow for line of sight.

UV Detector

The S706, S706PF and S806 viewing head models use the UVTron tube, with a spectral response of 185-260nm and peak response of 210nm to ultraviolet radiation. The output of the detector is a pulse stream of randomly spaced pulses whose average rate is proportional to the UV radiation present in the flame. The UV radiation is a direct result of the

combustion process as oxygen combines with hydrocarbons in the fuel in the blue part of the flame. The yellow part of flames, and the background radiation from hot refractory, do not emit UV radiation.

The spectral range of the UV tube makes it ideal for discriminating between flame and glowing refractory. As with any UV radiation, it can be absorbed or masked by unburned fuel, smoke, oil mist, dirt dust and other impurities in the fuel. Care should be taken to select the proper viewing head for the fuel used. Additionally, the contaminants that mask UV can be diluted by providing a strong flow of air through the sight pipe to clear a viewing path through the attenuating material. See "Purge Air" on page 10.

It may also be desirable to sight the detector at an area containing fewer masking agents such as near the burner nozzle or near the entrance of the combustion air. Increasing the viewing area of the detector by shortening the sight pipe or by increasing the diameter of the sight pipe can also reduce the attenuating effects of the masking agents.

In general, the UV viewing heads will work well on natural gas and light oil flames. The sighting for both oil and gas flames should be parallel to the axis of the burner and aimed at the root of the flame, as with the IR detector. (See previous section, "IR Detector.") The highest UV intensity occurs near the root of the flame (Fig. 17). In addition, the zone of higher UV intensity does not overlap the same zones of adjacent or opposing burner so that, with proper sighting, discrimination can be achieved.

With low NO_x gas burners, the UV radiation is usually much less in intensity and spread out. Relatively high readings can be obtained from all over the furnace when many burners are in service. This is particularly true when flue gas recirculation is used. There will however, be a relatively stronger signal near the "root" of the flame and the more intense spot should be located during the aiming or sighting process. This "root" or intense spot may be further out than with the standard gas burner so it is imperative that a swivel mount be used when making sighting adjustments.

Another factor that needs to be considered when aiming the viewing head is the load condition of the boiler. The flames from a burner can be radically different at different loads. This is one of the reasons for choosing an optimum sighting initially that will minimize signal swing due to changing loads.

Self-Checking

The self-check circuitry guards against internal component failure. There are several tasks that require intelligent interaction between the viewing heads and the signal processor. If all of these interactions do not occur properly, the viewing head will not send pulses back to the signal processor and the flame relay will open.

Adjustment of VH Sighting and Gain

NOTE: Adjustment to the viewing head parameters cannot be made unless the viewing head is connected and communicating with the signal processor.

The viewing head should be properly sighted before the setpoints are adjusted. Adjustment can be made easier by a

1/2 in. swivel joint, which Honeywell can supply if one is not available (refer to "Accessories" on page 11).

While the burner is firing, vary the viewing angle while observing the green LED on the connector at the rear of the viewing head. Adjust the viewing angle for the maximum pulse rate, then lock the swivel joint to preserve this mechanical setting. If the green LED pulse rate is very high or very low, see the two paragraphs below. The locked mechanical setting should still be correct when Model 700 viewing heads are interchanged, because inside each Model 700 viewing head the optical axis is aligned with the mechanical axis within $\pm 1/4$ degree. Also, the reading shouldn't change when a viewing head is rotated in the mount.

For the above sighting adjustments to work properly, the flashing rate of the green LED in the connector at the rear of the viewing head must be reasonable. On the -PF (pipe fitting) version, there are no LEDs. The installer must observe the flame signal on the signal processor instead.

A count rate of 16 to 20 is recommended for proper operation. If the displayed count is above 25, the pulses begin to blur together, making changes in the pulse rate difficult to observe.

If the displayed count is less than 8 or 10, it will be difficult to maximize the count by adjusting the viewing head aim, since the pulses occur too infrequently. In such a case the gain should be increased. If the gain is set to a maximum and the count rate persists below 8 or 10, the system can still be made to work reliably as long as the count rate drops significantly when the flame is removed. However, the setup should be reviewed for proper viewing head aim and sight path to ensure it is optimized.

Orificing

Orifice disks have been used in applications with older viewing heads that did not have adjustable gain in order to reduce the extreme brightness of certain burner flames. The orifice disk kit is part number M-702-6. Orifice disks come with 3/8, 1/4, 3/16 and 1/8 inch diameter holes. Contact the factory for guidance is using orifice disks. The disks are installed with retaining rings in the flange at the edge of the 1/2 inch NPT female pipe thread for the process connection. An internal type retaining ring is first installed by positioning a ring in the machined groove inside the flange opening from the housing side. The orifice disk is then inserted. Use a second retaining ring to hold it in place so that it is sandwiched tightly between the two retaining rings.

If the displayed flame count is 25 or higher when the gain is set to 1, an orificing disc inserted in the back end of the mounting block can be used. Choose a disc that gives a reading of 12 to 24 at a low fire firing rate. The discs have a range of orifice sizes; each size step results in about a 2:1 change in the counts displayed.

Signal Processor User Interface

The 700ACSP and 700DCSP signal processors have a user interface that includes four lights, a two-digit display and twelve push buttons for operation and programming. Each button has at least one specific purpose.

To enter a menu, press and hold the applicable button for 2 seconds. Adjustments to the applicable setpoint can be made via the INCREASE or DECREASE arrow buttons. To store the

new setting, press the STORE button until "--" is shown, indicating the value has been accepted.

If no activity occurs for a period of four seconds while the menu value is displayed, it will revert back to the operating display.

To exit a menu at any time without saving changes, simply press the RESET/rE button.

The following describes the functions of the LED indicators, display and push buttons:

Front Panel LED Indicators and Display

- **ON SEQ/AUTO SET LED (green):**
 - Used in conjunction with the BNR-ON SEQ START/END and BNR-OFF SEQ START/END buttons during the automatic setup process
- **OFF SEQ/FAULT LED (green):**
 - Used in conjunction with the BNR-ON SEQ START/END and BNR-OFF SEQ START/END buttons during the automatic setup process
 - Indicates a fault condition
- **Two digit display**
 - When in operating mode, the display indicates the current flame signal, which ranges between 00 and 29
 - Upon power up, indicates whether an IR or UV viewing head is attached and the selected gain setting; such as r7 (IR with gain of 7) or u5 (UV with gain of 5).
 - Indicates various characters during the automatic setup process as well as whether the panel is locked
- **FLAME SIG LED (yellow):**
 - When a flame is present, LED flashes at a rate proportional to flame signal, except when the pulses are interrupted once per second for viewing head self-checks.
- **FLAME ON LED (red):**
 - When the flame signal is above the selected value, the LED will be illuminated and the flame relay will be energized.

Push Button Functions

- **RELAY ON SETPOINT button:**
 - Allows user to select flame on threshold value. When the flame signal is above the selected value, the flame relay will be energized. Used in conjunction with the INCREASE, DECREASE and STORE buttons (range of 00 to 29).
- **LOAD FACTORY DEFAULTS button:**
 - Used to restore all settings to the factory default values
- **↑ INCREASE button:**
 - Used to increase parameter value when in programming mode
- **RATIO (%) RELAY OFF/RELAY ON button:**
 - Used along with the INCREASE, DECREASE and STORE buttons to set the RELAY OFF setpoint at a percentage of the RELAY ON setpoint. Adjustable from 20% to 80%.
- **STORE button:**
 - Stores new parameter values during programming
 - After making changes "--" will be displayed indicating the new values are accepted and stored
- **↓ DECREASE button:**
 - Used to decrease parameter value when in programming mode

- **BNR-ON SEQ START/END button:**
 - Used to initiate and proceed through the automatic parameter setup sequence, which includes the RELAY ON, RATIO (%) and GAIN settings (the FFRT, mA output and communication address must be set manually)
- **BNR-OFF SEQ START/END button:**
 - Used during the automatic parameter setup sequence
- **ACCEPT RATIO/SET GAIN button:**
 - Allows user to set the viewing head gain in conjunction with the INCREASE, DECREASE and STORE buttons
 - Used in conjunction with the BNR-ON SEQ START/END and BNR-OFF SEQ START/END buttons during the automatic setup process
- **FFRT 1/2/3 SEC OPTION button:**
 - Used to set the FFRT timing along with the INCREASE, DECREASE and STORE buttons
- **0-20MA 4-20MA OPTION button:**
 - Used in conjunction with the INCREASE, DECREASE and STORE buttons to select the proportional mA output for the flame signal
- **RESET rE button:**
 - Resets a lockout condition
 - Also used to exit a menu while programming
 - Used to set the Modbus address along with the INCREASE, DECREASE and STORE buttons

Manual Setup of Setpoints

The keypad of the signal processor is used to set the IR/UV GAIN, RELAY ON, RATIO % (Relay Off), FFRT and mA output option setpoints. The following section describes this process. Also refer to Fig. 23, 24, 25, 26 and 27.

Setting the Viewing Head Gain

The gain of the IR and UV viewing heads can be adjusted. In addition to the information in this section, refer to Fig. 27. At power-up, the 700 signal processors display codes to tell the operator what type of viewing head and what gain is being used. Default values are "r5" for the IR viewing head and "u5" for the UV viewing head. The "r" or "u" denote IR or UV viewing heads, respectively, while the numeric digit indicates the current gain setting. The gain can be adjusted from 1 to 9 with a gain of 5 being the factory default gain.

To change the gain, press and hold the SET GAIN button for two seconds until the current value is displayed. Use the INCREASE and DECREASE buttons to change the setting as appropriate while the value is displayed. To store the new setting, press the STORE button until "--" is shown, indicating the value has been accepted.

If no activity occurs for a period of four seconds while the value is displayed, the display will return to the operation mode without saving the new setpoint.

To exit the menu at any time without saving changes, simply press the RESET/rE button.

The gain is live; changes are effective immediately, but if the displayed gain value is not stored (by pressing STORE), and no other buttons are pressed, the processor returns to the previous setting after four seconds.

Relay On Setpoint

The two numeric digits on the Model 700 signal processor normally display the incoming count during operation; that is, the number of pulses that arrive between self-check pulses. This count ranges from 00 to 29.

Refer to Fig. 23 for a flowchart of setting the Relay On setpoint. Press and hold the RELAY ON SETPOINT key for two seconds to access this setpoint. The RELAY ON SET POINT value will be displayed. If no further keys are pressed, this display will disappear in four seconds and the incoming count will again be displayed. If the RESET key is pressed, the display will return immediately to displaying the incoming count.

While the RELAY ON SET POINT is displayed, you may increase or decrease the setting by using the INCREASE and DECREASE arrow keys. To store the new setting, press the STORE button until “- -” is shown, indicating the value has been accepted.

To exit the menu at any time without saving changes, simply press the RESET/rE button or wait 4 seconds until the display reverts to the incoming count value. To extend the display time, press the RELAY ON SETPOINT button again; the display will time out for four seconds after the key is released if no other buttons are pressed.

The displayed value of the RELAY ON SET POINT is live; that is, if the relay is off and the adjusted value falls below the current flame signal count, the relay will turn on immediately (FFRT settings are ignored). This immediate response can be seen if the count is low and the RELAY ON SET POINT is set above it; if the RELAY ON SET POINT is then adjusted down to the count level, the FLAME ON relay will be energized.

Ratio (%) Relay Off/Relay On Setpoint

For a flowchart of this setpoint process, refer to Fig. 24. The key labeled RATIO (%) RELAY OFF/RELAY ON is used to set the RELAY OFF SET POINT at a percentage of the RELAY ON SET POINT. This percentage is adjustable from 20% to 80%. For example, if the RELAY ON SET POINT is set to 16 and the RATIO (%) is set to 50% (the factory default values) the relay will energize if the displayed count goes to 16 or higher and de-energize when the count drops to 08 or less for one to three seconds, depending on the FFRT (Flame Failure Response Time) setting. The adjustment of the RATIO setting is live. Adjustments will cause the Flame Relay to de-energize immediately, ignoring FFRT settings.

To access this setpoint, press and hold the ACCEPT RATIO/SET GAIN button for 2 seconds until the current value is displayed. While the value is displayed, adjustments may be made via the INCREASE or DECREASE arrow buttons. To store the new setting, press the STORE button until “- -” is shown, indicating the value has been accepted.

If no activity occurs for a period of four seconds while the value is displayed, the RATIO display will disappear and the old ratio setpoint will take effect.

To exit the menu at any time without saving changes, simply press the RESET/rE button.

Setting FFRT (Flame Failure Response Time)

To access the FFRT setpoint, press and hold the FFRT 1/2/3 SEC OPTION button for 2 seconds until the current value is

displayed. Refer to Fig. 25 for the setup flowchart. The FFRT can be set at 1, 2 or 3 seconds. While the value is displayed, adjustments may be made via the INCREASE or DECREASE arrow buttons. To store the new setting, press the STORE button until “- -” is shown, indicating the value has been accepted.

The FFRT changes are not live; they take effect only if the STORE button is pressed. FFRT values do not relate to the RELAY ON SETPOINT and RATIO (%) / RELAY OFF values. Therefore, during automatic setup, if the AUTO SET LED is on, confirmation is not needed to change the FFRT setting.

If no activity occurs for a period of four seconds while the value is displayed, the FFRT display will disappear and the old setpoint will take effect.

To exit the menu at any time without saving changes, simply press the RESET/rE button.

0/4-20mA Output Option

An analog output current is provided for operating a remote meter or other instrumentation. The load resistance should not exceed 360 Ohms for the Model 700 signal processors. The resistance can be chosen to give the desired voltage swing. For example, if 2V is desired for a 20 mA output, a 100 Ohm resistor would be used. Fig. 26 contains a flowchart for the mA output setup.

The analog current output selections are 0 to 20 milliamps, or from 4 to 20 milliamps. Selection of the applicable range is made by pressing and holding the 0-20 MA/4-20 MA OPTION button until the current value is shown. 02 denotes the 0-20mA selection while 42 denotes the 4-20mA selection (the default value). While the value is displayed, it may be changed via the INCREASE or DECREASE arrow buttons. To store the new setting, press the STORE button until “- -” is shown, indicating the value has been accepted.

Confirmation is not requested if the 0-20/4-20 setting is changed when AUTOSSET LED is on.

The 0/4-20mA output option is live; the operative range changes as soon as the displayed selection is changed. However, the value must still be saved via the STORE button in order to be saved in the signal processor's EEPROM.

To exit the menu at any time without saving changes, simply press the RESET/rE button or wait four seconds.

The analog current output is scaled according to the RELAY ON setting. It is scaled so that, if the counts coming in are at a count rate equal to the RELAY ON setting, the current output is approximately 13 MA when the range selected is 0-20 MA, and about 14.6 MA when the range selected is 4-20 MA.

Note that the actual maximum level for the current output is 19.8 MA.

Automatic Setup of Setpoints

With this feature, the Model 700 signal processors set the RELAY ON SET POINT, the RATIO % (Relay Off), and the UV/IR GAIN automatically. Calculations for these settings are carried out in the signal processor as the operator takes the system through BURNER ON and BURNER OFF sequences. Fig. 20, 21 and 22 flowchart the automatic setup sequence.

The FFRT (flame failure response time) and the 0/4-20mA output option must be manually setup after the automatic setup process is complete. Refer to the Manual Setup of Setpoints section and Fig. 25 and 26. for details on setting these 2 parameters.

Before starting the automatic setup sequence, adjust the RELAY ON SET POINT to get the FLAME ON relay to energize.

Press BNR-ON SEQ START/END key for two seconds. If the FLAME ON relay is de-energized, the display will show “bo” (burner off); press RESET to clear this. If the FLAME ON relay is energized, the ON SEQ LED will start flashing slowly and the numeric display will start counting down from 59 while the processor takes data at one reading per second. The FLAME ON relay will remain energized if the flame is present, according to the current settings, until valid new values are obtained. To end the data sampling, press the same button, BNR-ON SEQ START/END, again, but ensure that an adequate number of data samples has been taken. At least 30 seconds of BNR-ON data sampling is recommended; ten seconds is a minimum. The software will not respond to a second press of the button for 10 seconds. RESET may also be pressed while the data sampling is occurring; the data sampling process will be aborted and the old values will remain in effect.

After BNR-ON data sampling is complete, the OFF SEQ LED flashes. Turn off the burner and immediately press the BNR-OFF SEQ START/END key (a two-second press is not required). The displayed timer then counts down from 29. This process may be interrupted, but at least 15 seconds of BNR-OFF data sampling is recommended. The data sampling process can be aborted by pressing RESET, in which case the data for both BNR-ON and BNR-OFF will be discarded and the previous values will remain in effect.

If the data is good, that is, the computed ratio is 71% or less when BNR-OFF data sampling is complete, the display shows the ratio in percentage for one second, followed by “-” to indicate a successful setup. The signal processor then turns on the AUTO SET LED to verify that the values stored internally were derived from the BNR-ON/BNR-OFF data sampling sequence.

If the data received is marginal, with the computed ratio ranging from 72% to 80%, the display alternates between “AC” and the computed ratio, for example, “AC” and “75.” Press either the ACCEPT RATIO or RESET keys. If ACCEPT RATIO is pressed, the display responds with “-”, the ratio is stored, and the AUTO SET LED is turned on. If RESET is pressed, the display returns to the counts, both of the AUTO SETUP LEDs are turned off, and the old setpoints are used.

If the ratio computed as a result of BNR-ON and BNR-OFF data sampling is higher than 80%, the display will show “UA” (unacceptable), alternating with the unacceptable ratio. For example, if the computed ratio is 93%, the display would alternate between “UA” and “93.” RESET must be pressed to clear this; the old values for RELAY ON and RATIO will remain in effect.

The values can be worse than just unacceptable. If the flame relay de-energizes while reading BNR-ON values, the display will show “bo,” and data-taking will be aborted. Other faults, such as a BNR-ON flame signal that is too low to use, or BNR-OFF readings that are too close to the BNR-ON readings, can result in “rE” being displayed. RESET should then be pressed.

The signal processor also adjusts the viewing head gain during the BNR-ON and BNR-OFF data sampling sequence. Normally, after the sequence, the display should read about 20, because the gain has been adjusted to give this reading. If it is less than about 18, you should find that the gain has been set to 9; if it is more than about 22, you should find that the gain has been set to 1.

Once the values have been stored through this sequence, you can check the RELAY ON SET POINT, the RATIO, or the GAIN by pressing the appropriate key for two seconds. However, if you attempt to change these values by pressing the INCREASE or DECREASE keys, the display will show “CF” (confirm), and the AUTO SET LED will flash rapidly. To confirm the desired change, press the RELAY ON SET-POINT key, the RATIO key, or the SET GAIN key a second time. To discontinue any changes, press the RESET key or simply wait four seconds for a time out to occur.

The user confirms they wish to make changes, the values will change when you use the INCREASE or DECREASE keys. Meanwhile, the AUTO SET LED will be flashing. The AUTO SET LED will de-energize only if the changed values are stored; if the changed values were not stored, the AUTO SET LED will light and the old values will remain in effect.

If values were obtained automatically, that is, if the AUTO SET LED is on and the BNR-ON SEQ START/END key is pressed, the display will also show “CF.” If the BNR-ON SEQ START/END key is pressed again, the signal processor will begin the BNR-ON data sampling sequence.

Loading Factory Defaults

Fig. 19 shows the flowchart for restoring default values. Pressing and holding the LOAD FACTORY DEFAULTS button will result in the values shown in Table 3 being loaded and stored in EEPROM. During the automatic setup sequence, if the AUTO SET LED is on when the LOAD FACTORY DEFAULTS key is pressed, “CF” will be displayed. Press the LOAD FACTORY DEFAULTS key again to confirm the change, or press RESET to abort the change. If the factory defaults are loaded, the AUTO SET LED will be turned off.

Table 3. S70X/S80X Default Settings

Relay on setpoint	16
Ratio (%) relay off/relay on	50%
FFRT (Flame Fail Response Time)	1 sec
0-20mA/4-20mA OPTION	4-20mA
UV/IR Gain	5
Communication address	0

Panel Lock

A pattern of key presses will result in the panel being locked so as to block any changes to the values stored in the signal processor. With the panel locked, values may be examined, but the signal processor will not respond to the STORE key.

The panel should be locked after the setpoints are set. Contact the factory to obtain the procedure to lock or unlock the panel.

MODBUS COMMUNICATION

The 700ACSP and 700DCSP signal processors are capable of communication with Flametools software running on a Microsoft® Windows® PC, S7999D touch screen or other device that supports Modbus RTU protocol. Both Flametools and the S7999D include graphic user interfaces. Other devices will require the user to generate an interface. The data transmitted to and from the 700ACSP/700DCSP is over two twisted pairs that are differentially driven and received according to the RS-422 standard. Honeywell offers a RS485/422 to USB converter to use in conjunction with the 700ACSP/700DCSP signal processors. The Honeywell part number is COMMOD.

Refer to Fig. 8 and Fig. 9 for a typical communication wiring and addressing scheme as well as the required wiring of the COMMOD communication converter.

The 700ACSP and 700DCSP signal processors have two modular phone jacks for RS-422 communications. The jacks are wired in parallel so that point-to-point cables can be jumped from unit to unit to interconnect multiple Model 700 signal processors. The RS-422 interface IC is a MAX489. The ICs can drive up to quantity 32, Model 700 signal processors on the same bus.

For communication with external controls or computers, refer to Table 4 for the Modbus registers map.

Communication Setting

700ACSP and 700DCSP can only communicate via Modbus RTU protocol, with the following configuration:

- 9600 baud
- 8 data bits
- no parity
- 1 stop bit

NOTE: Default protocol must be changed in order to use Modbus communication. It may be set for Modbus by using key sequence below at the front panel of the 700 as follows:

1. Press and hold BNR-OFF SEQ START/END button for 2 seconds.
2. Press up arrow to change setting from P0 to P1.
3. Press STORE.

The factory default Modbus address of the 700ACSP and 700DCSP is 0 and must be changed to a number between 1 and 32 to establish communication between the signal processor and the host control. When more than one signal processor is in the network, ensure that each signal processor has a unique Modbus address within the range of 1 to 32.

Modbus RTU Function Supported

Four Modbus functions are supported:

- 01 Output coil read
- 03 Holding register read
- 06 Preset single holding register
- 16 Preset multiple holding register

NOTES:

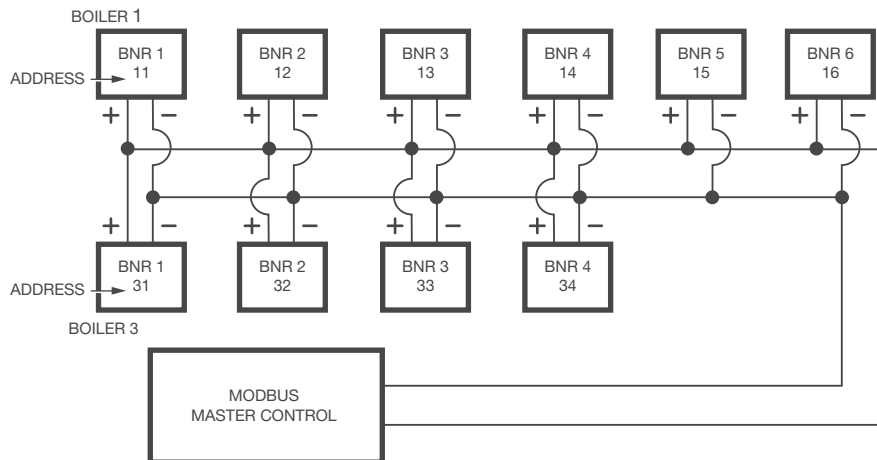
- Before Model 700 signal processors are connected to the RS-422 bus, their individual Modbus addresses must be set to differing values between 1 and 32.
- The RESET button on front of the 700ACSP or 700DCSP signal processors is used to set the Modbus address.
- Press and hold the RESET button for two seconds and the current address will appear. It may be changed with the up or down arrow keys.
- Pressing the STORE button will store the new address.

Table 4. MODBUS registers map.

Register	Name	Description	Minimum	Maximum
40001	FLAMECOUNT	Flame count of active viewing head (read only)	0	3425
40002	PROCSTATUS	Processor status bitmask (read only) bit 1: flame on relay status (1=relay energized, 0=off) bit 2: Processor Lockout status (0 =lockout, 1=not lockout) bit 3: Panel access disabled (1=disabled, 0=enabled) bit 4: 4 - 20 ma output (0=0 to 20, 1=4 to 20)	0	255
40003	FLAMEON	Flame On setpoint (read/write)	3 (S70X)	29
40007	OUTPUTGAIN	Gain of the 0/4-20mA output (read/write)	20	80
40010	IRGAIN	IR sensor gain setting (read/write)	1	9
40012	UVTGAIN	UV tube gain setting (read/write)	1	9
40017	TYPE	Viewing head type bitmask (read only) bit 0: UV viewing head bit 1: IR viewing head	-	-
40021	TIMEDELAY	Time Delay (read only) =1 for 700XXSP	1	2
40022	FFRT	Flame failure response time setting in seconds (read/write)	1	3
40023	VERSION	Firmware version (read only)	-	-
40024	MODEL	Model number (read only)	-	-

Table 4. MODBUS registers map. (Continued)

Register	Name	Description	Minimum	Maximum
40084	ERRORCODE	Error code (read/write) NOTE: writing a non zero number to this register is not allowed	-	-
40085	BAUD	Baud rate setting (bits/second). Only affects RS-485 communication, not IRDA. (read, write) 96=9600 (default), 192=19200. The SP and the master device must have the same baud settings.	96	192
40086	PARITY	Parity setting. Only affects RS-485 communication, not IRDA. (read/write) 0= none (default), 1=odd	0	1
40087	ADDRESS	Modbus address used by RS-485 and IRDA (read/write). Each device must have a unique address.	0	247
40089	PROTOCOL	Protocol (read/write) 0=Honeywell protocol, 1=Modbus protocol	0	1



NOTES: A CONVERTER MAY BE NECESSARY FOR COMMUNICATION WITH THE MODBUS MASTER CONTROL.

USE SHIELDED CABLE FOR COMMUNICATION WIRING.

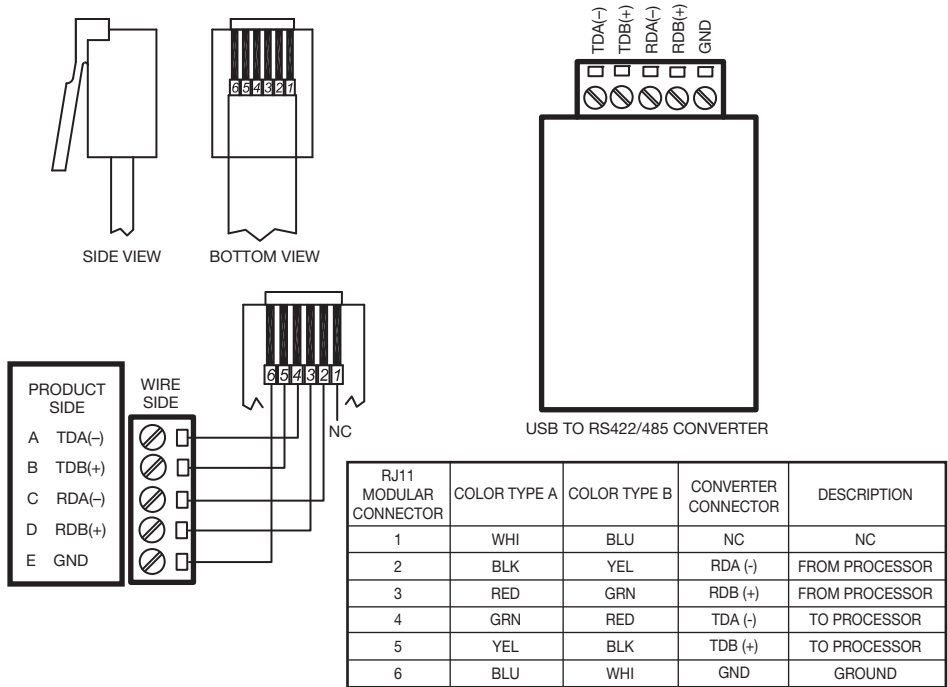
DRAWING IS FOR GENERAL REFERENCE ONLY.

FOR RS422 COMMUNICATION WITH THE 700ACSP OR 700DCSP, AN RJ11 CONNECTOR WITH 5 WIRES FROM EACH SIGNAL PROCESSOR WILL BE REQUIRED (RDA-, RDB+, TDA-, TDB+, GND), FOLLOWING POLARITY FROM EACH SIGNAL PROCESSOR.

M34457

Fig. 8. Typical Communication Wiring and Recommended Addressing.

NOTE: Refer to Fig. 9 for converter to RJ11 wiring details.



CAUTION: THE ORDER OF THE COLORS IN THE CABLE CAN BE TYPE A OR TYPE B. CHECK COLORS AT THE CONNECTOR.

NOTES:

SELECT THE APPROPRIATE DIP SWITCH SETTINGS FOR RS-422 COMMUNICATION PER THE VENDOR'S INSTRUCTION SHEET.

RJ11 CONNECTOR IS CUSTOMER SUPPLIED AND WIRED.

SOFTWARE DRIVERS MAY BE DOWNLOADED FROM B&B ELECTRONICS' WEBSITE.

M33831A

Fig. 9. COMMOD Communication Converter Wiring.

TROUBLESHOOTING

Lockout or Faulty VH Indication

If the viewing head produces any pulses during the last one third of the self-check time, the relay will immediately de-energize, the display will show "LO" (lockout), and the FAULT LED will flash on and off rapidly. Exit lockout by pressing RESET.

If a pulse or pulses come in during the last one third of the self-check time while the automatic data sampling is taking place, the automatic process will be aborted, the relay will be de-energized if it was energized, the display will show "LO" (lockout), and the FAULT LED will flash on and off rapidly. Press RESET to exit this.

If a viewing head is disconnected, the display will show "L1." Reconnect the viewing head and press RESET.

If the signal processor displays "EE" upon power up, it is an indication that the EEPROM stored data for the viewing head does not match for the currently connected viewing head. For further information on this condition, refer to the Parameter Match Error Section below.

Parameter Match Error

If the signal processor displays "EE" upon power up, it is an indication that the EEPROM stored data for the viewing head does not match for the currently connected viewing head. This error can occur when a different model viewing head is connected to the signal processor than was previously connected. As a result, the signal processor discards the previous stored parameters and loads factory defaults, except the RELAY ON SETPOINT is set to 31.

Setpoint values and other parameters plus error-checking codes are stored in EEPROM (Electrically Erasable Programmable Read Only Memory) in the signal processors. This data is then error-checked when it is read at power up. If the data does not match exactly what was previously stored, the signal processor discards all data, displays "EE", and loads factory defaults. The RELAY ON SETPOINT is set to 31.

Since the flame count cannot go this high, the flame relay cannot be energized. The signal processor can be reset by changing the RELAY ON SETPOINT to a reasonable value or by pressing LOAD FACTORY DEFAULTS.

Panel Lock with No VH Connected

The signal processor requires continuous communication with the connected viewing head. If the viewing head is disconnected, communication will be lost and the display is made inoperative where no settings can be examined or changed. To correct this condition, reconnect the viewing head to the signal processor and cycle power.

Grounding and Shielding

See "Grounding and Shielding" on page 3 for further troubleshooting help in regards to proper grounding and shielding techniques.

MAINTENANCE

(UV tube models Only)

The UV sensor has a limited lifespan. Under extreme conditions, the lifespan can be as low as 10,000 hours. However in the most favorable conditions, the lifespan is 50,000 hours or more. The service life of the UV sensor is considered terminated when the sensitivity becomes lower than 50% of the initial value.

A monthly sensitivity check is suggested to determine if the UV sensor's life is terminated. The reading of the signal processor digital display should be compared to the initial reading of the unit when it was installed. Ensure similar burner fire conditions of the application, and that the same gain settings of the viewing head, are used during each sensitivity check. If it is determined that the sensitivity is below 50% of the initial value (terminated life of the sensor), the sensor should be replaced.

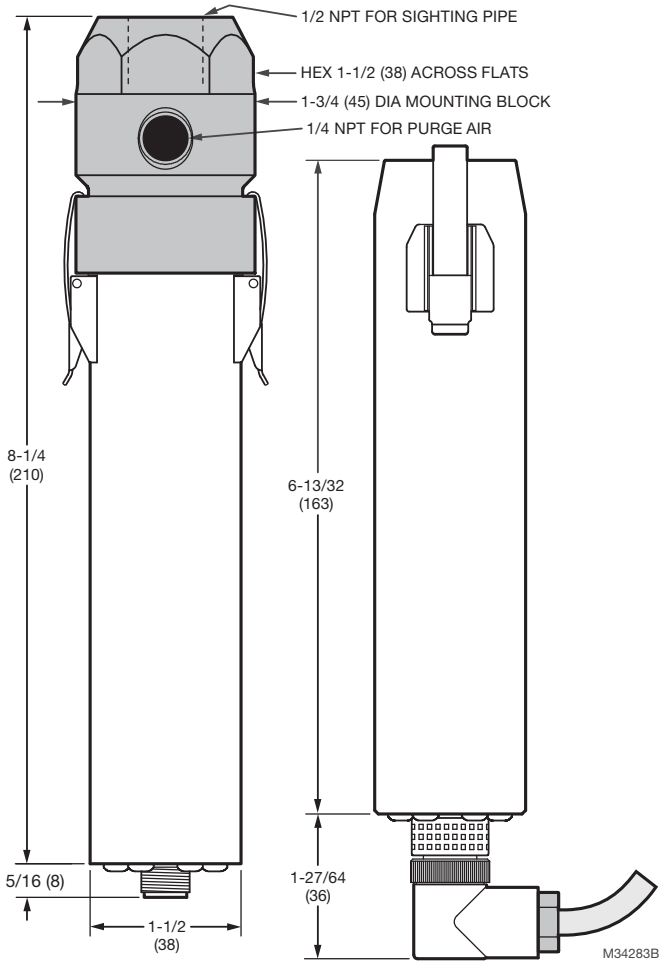


Fig. 10. Models S702 and S706 Viewing Heads.

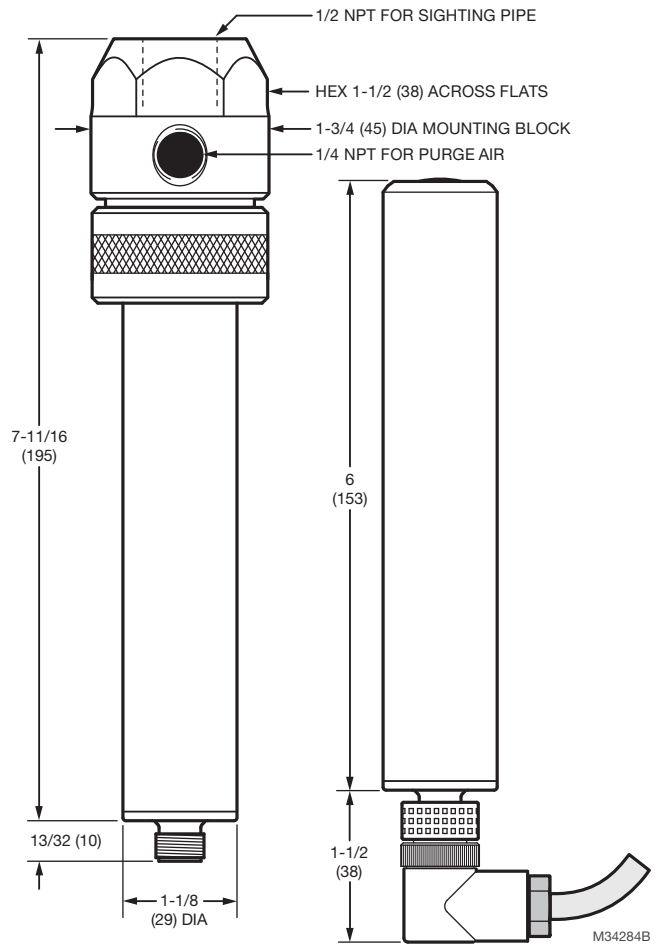


Fig. 11. Models S802 and S806 Viewing Heads.

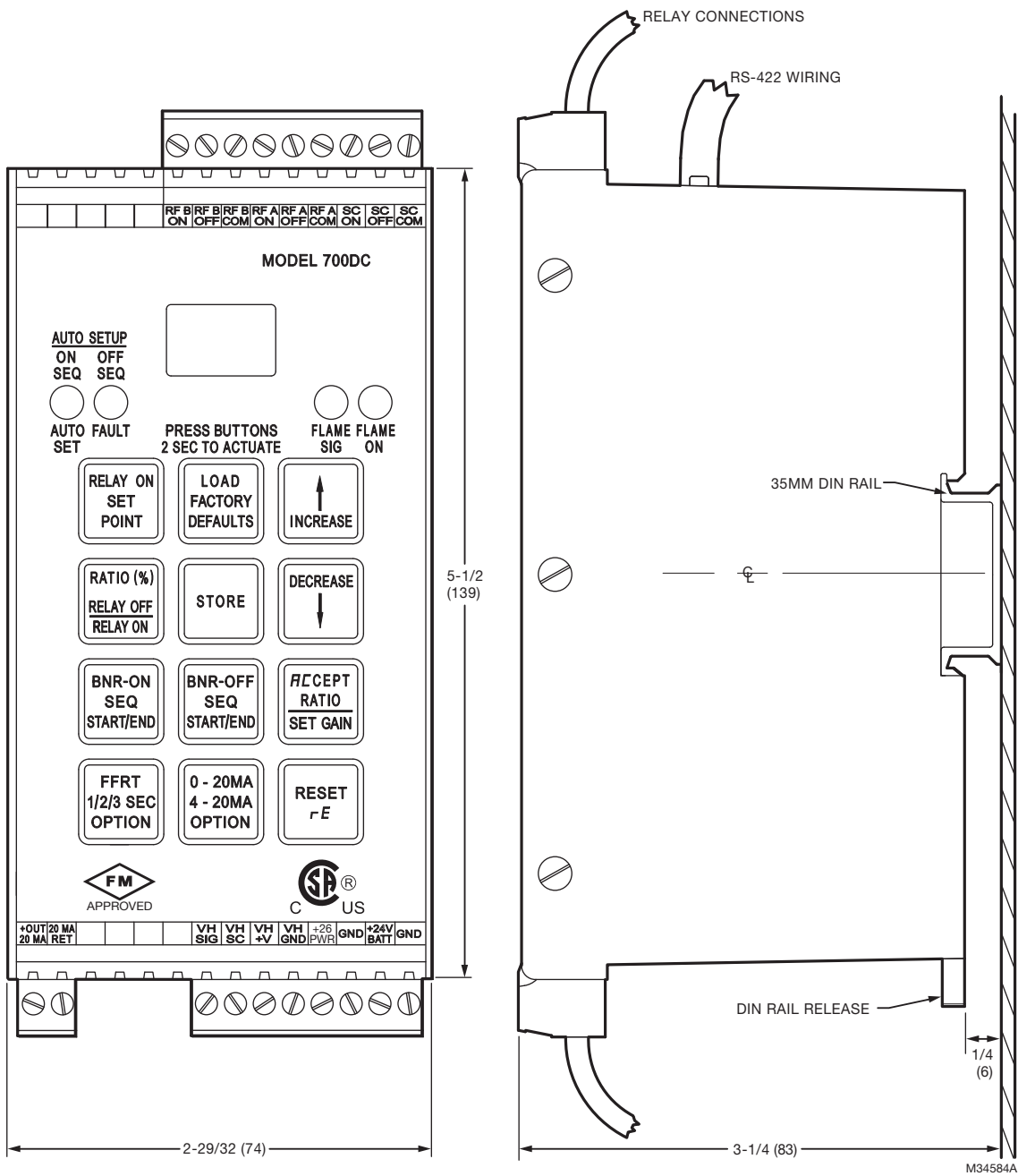


Fig. 12. Model 700DCSP Signal Processor.

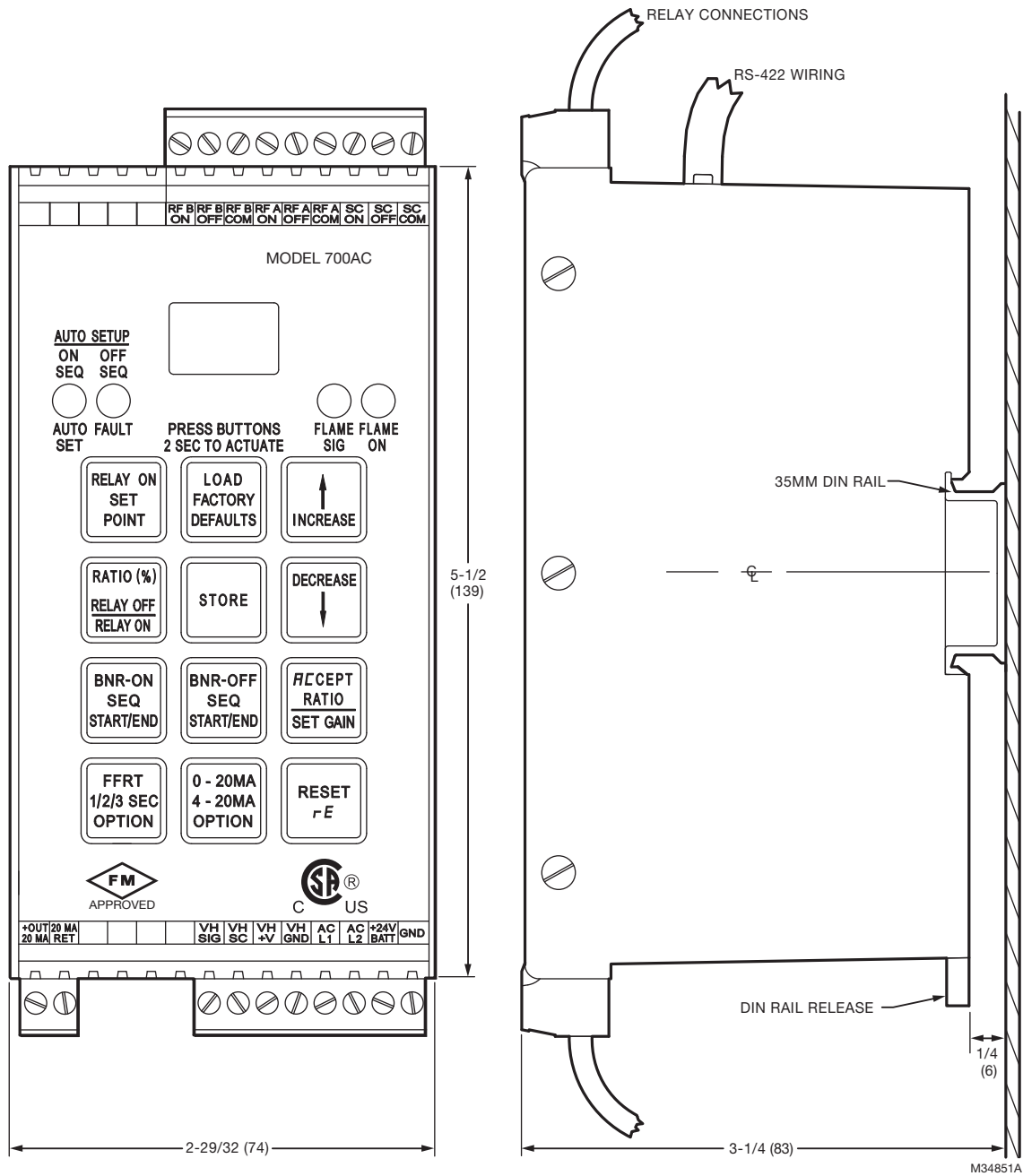


Fig. 13. Model 700ACSP Signal Processor.

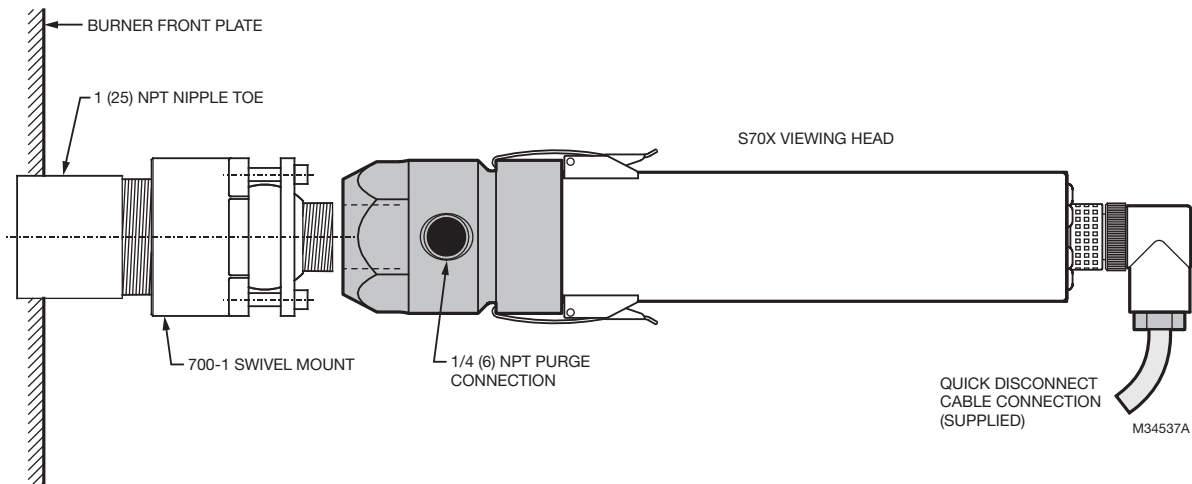


Fig. 14. Viewing Head Mounting Example.

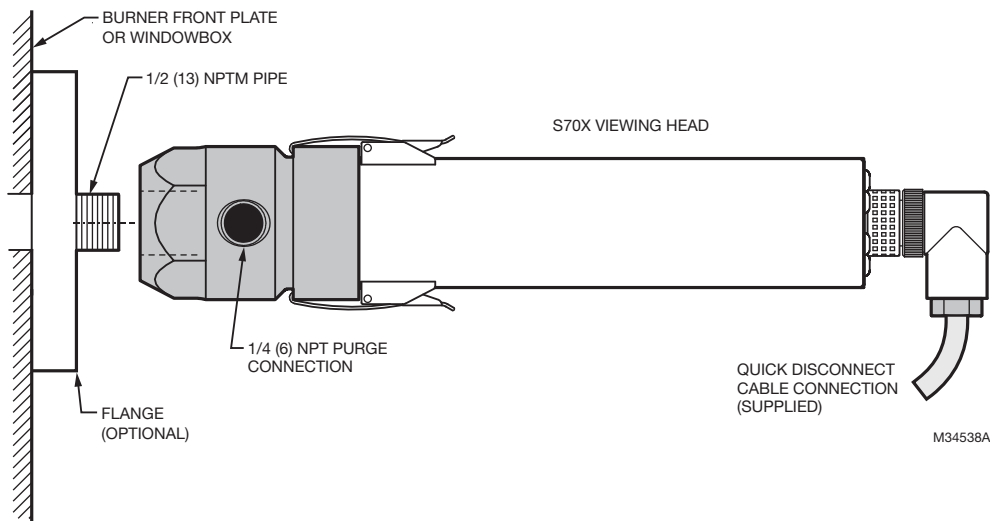
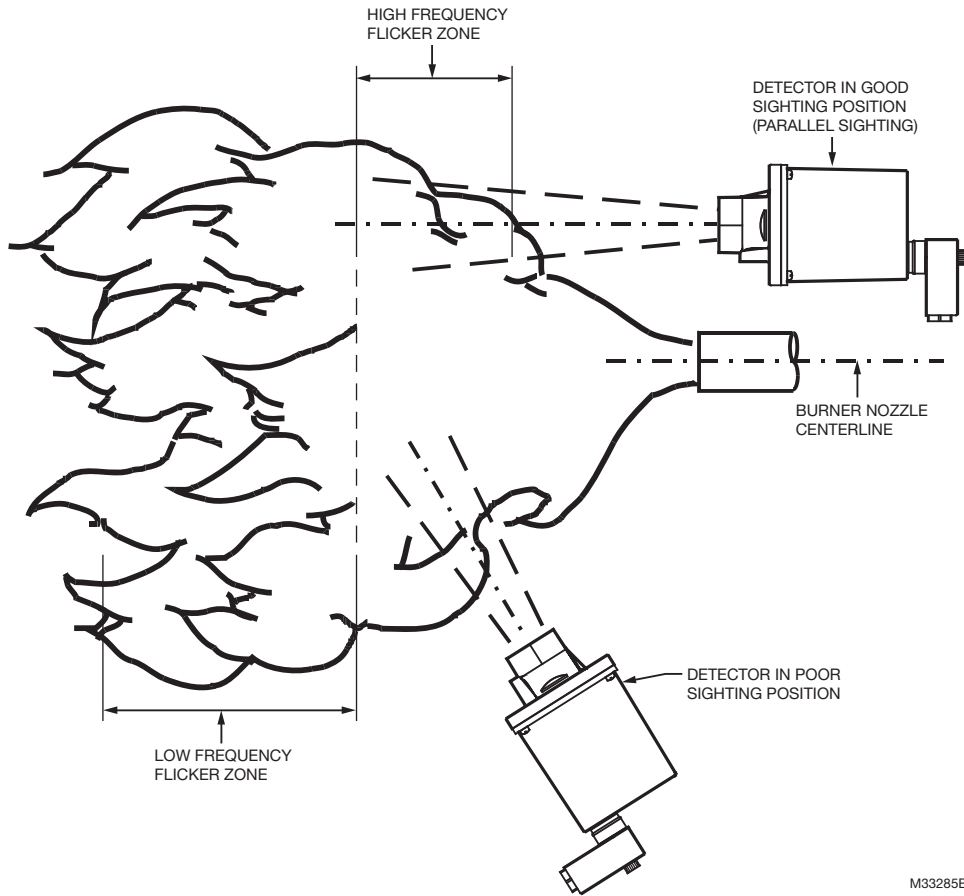


Fig. 15. Viewing Head Mounting Example.

Mounting Examples

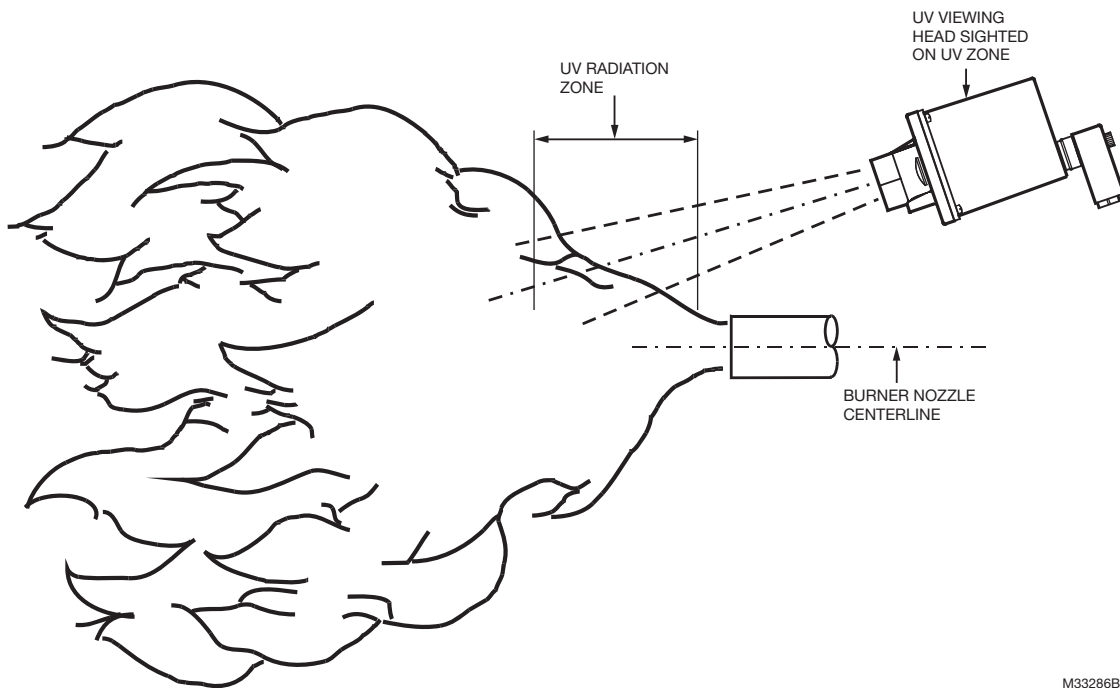
Purge air should be provided via the purge air connection to reduce conducted heat and to keep the sight pipe and viewing head lens free of dirt and debris. Refer to "Purge Air" on page 10 for requirements. For electrical isolation reasons, the purge air line should be installed using and insulating material, such as a rubber hose, in between the purge air line and the viewing head. Note that an extension pipe may be required to locate the viewing head further from the burner front plate to avoid high temperatures. Additionally, an Ultem replacement

insulating mounting block is available for all models, which is rated for 320F (160C) continuous service. Also available are cooling jackets which are used with vortex coolers. The Honeywell Ultem R-518-13 nipple or R-518-PT13/R-518-PT13L locking coupler adapter and R-518-CL13-HTG locking coupler can also be used for heat insulation reasons. Refer to the Accessories section of this document for accessory part numbers.



M33285B

Fig. 16. IR Viewing Head Location



M33286B

Fig. 17. UV Viewing Head Location

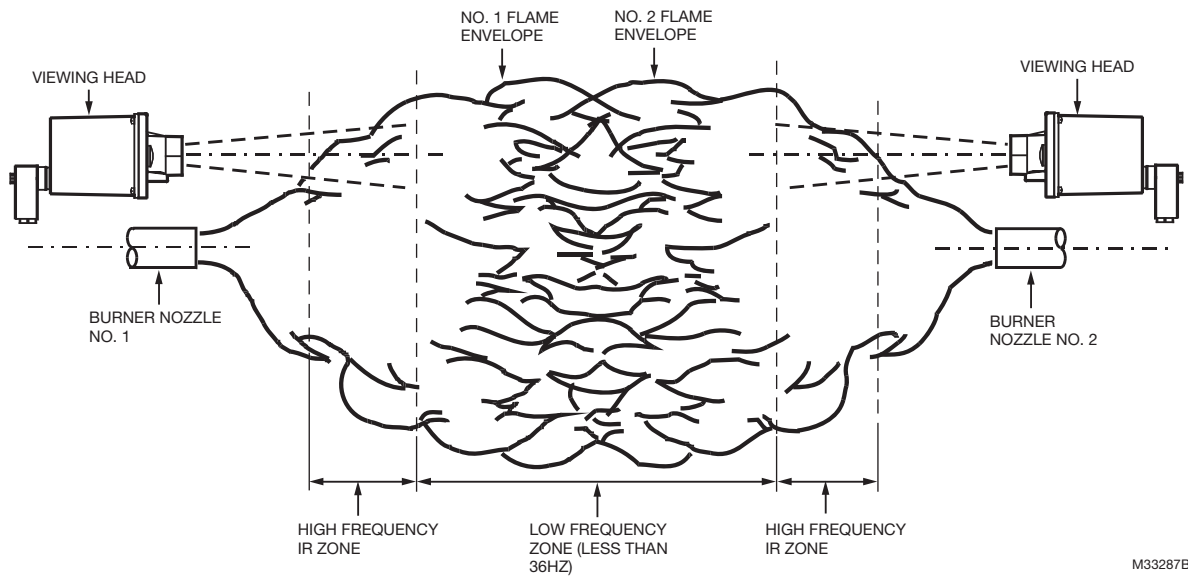
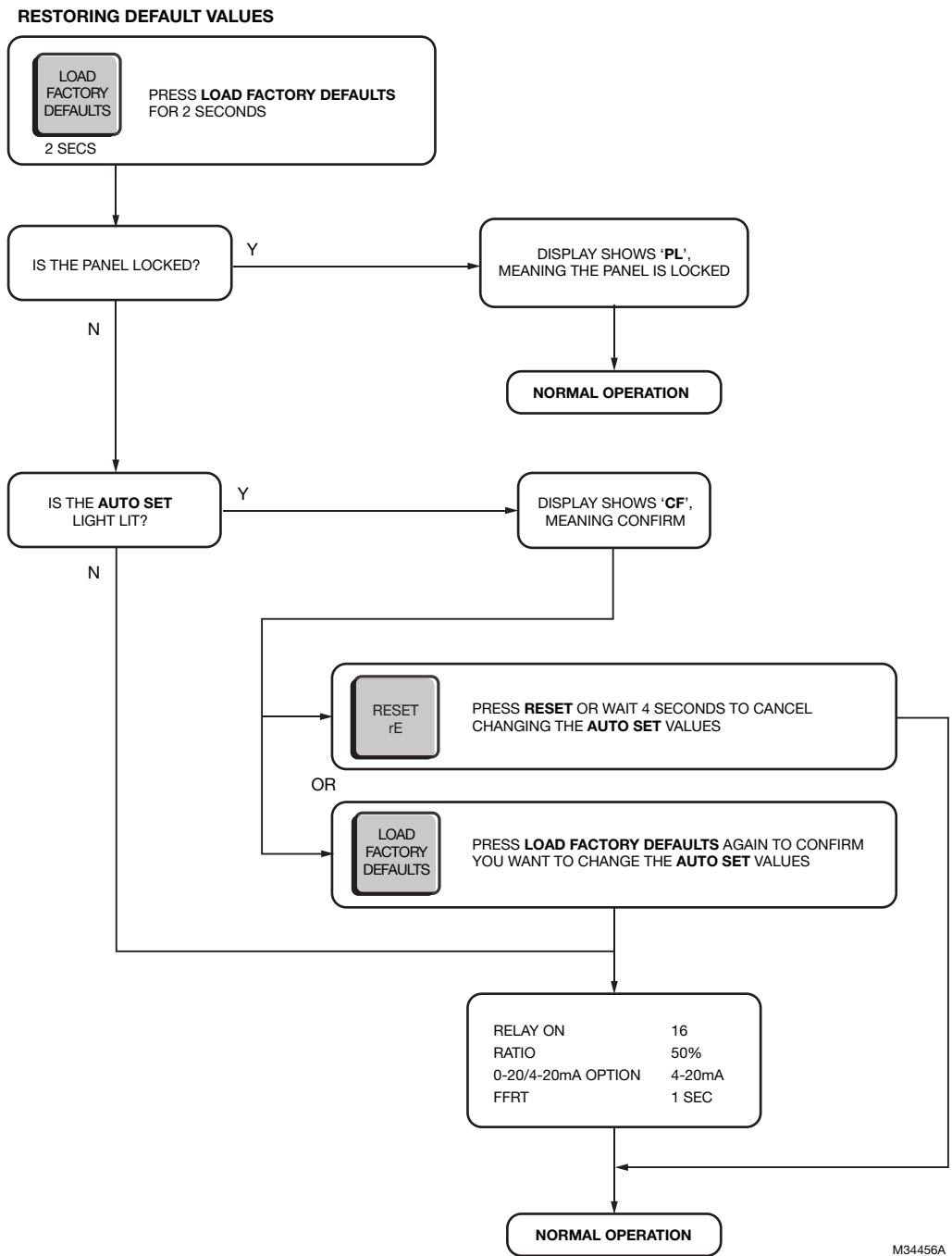
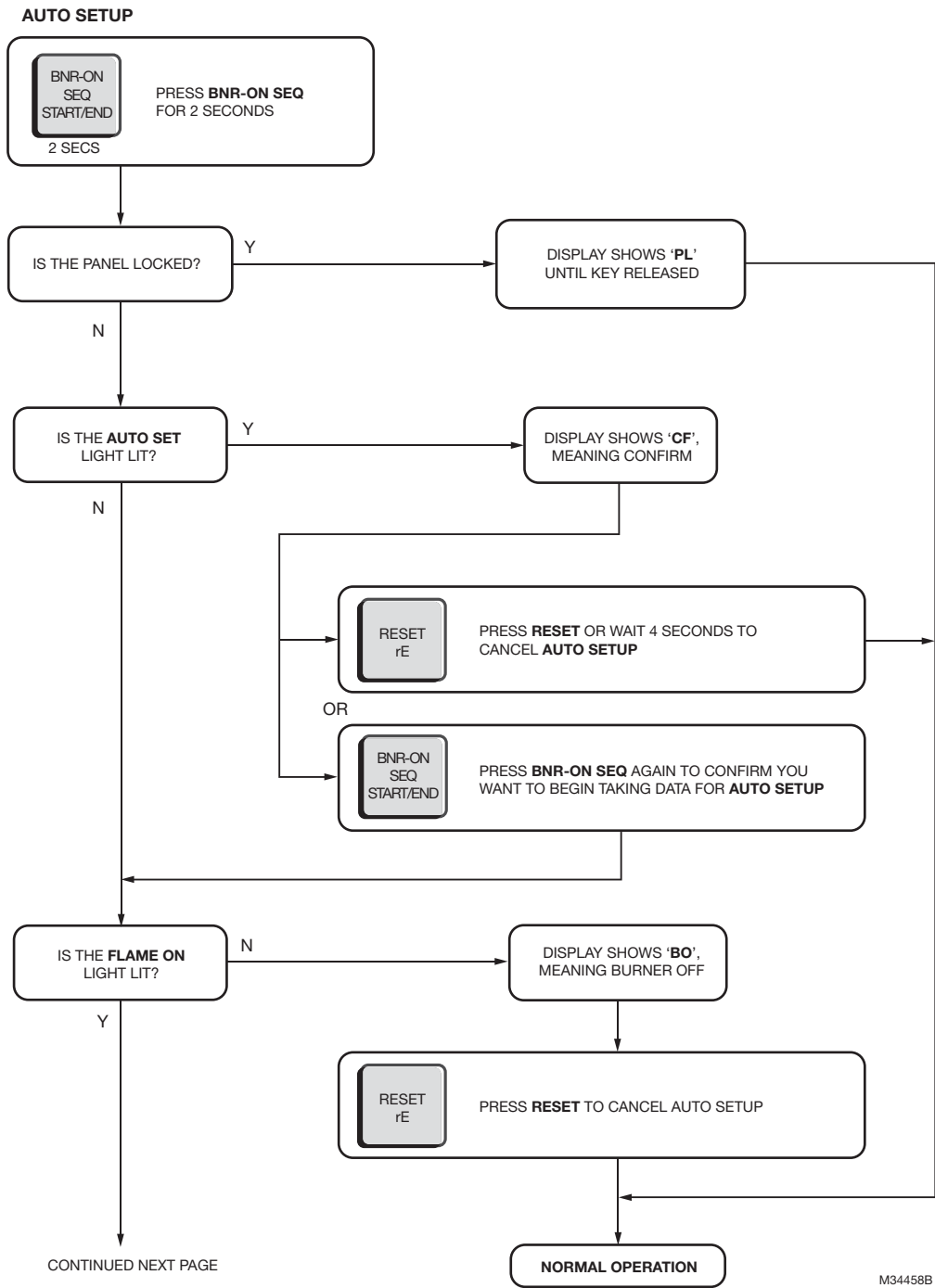


Fig. 18. Opposed Fired Viewing Head Sighting



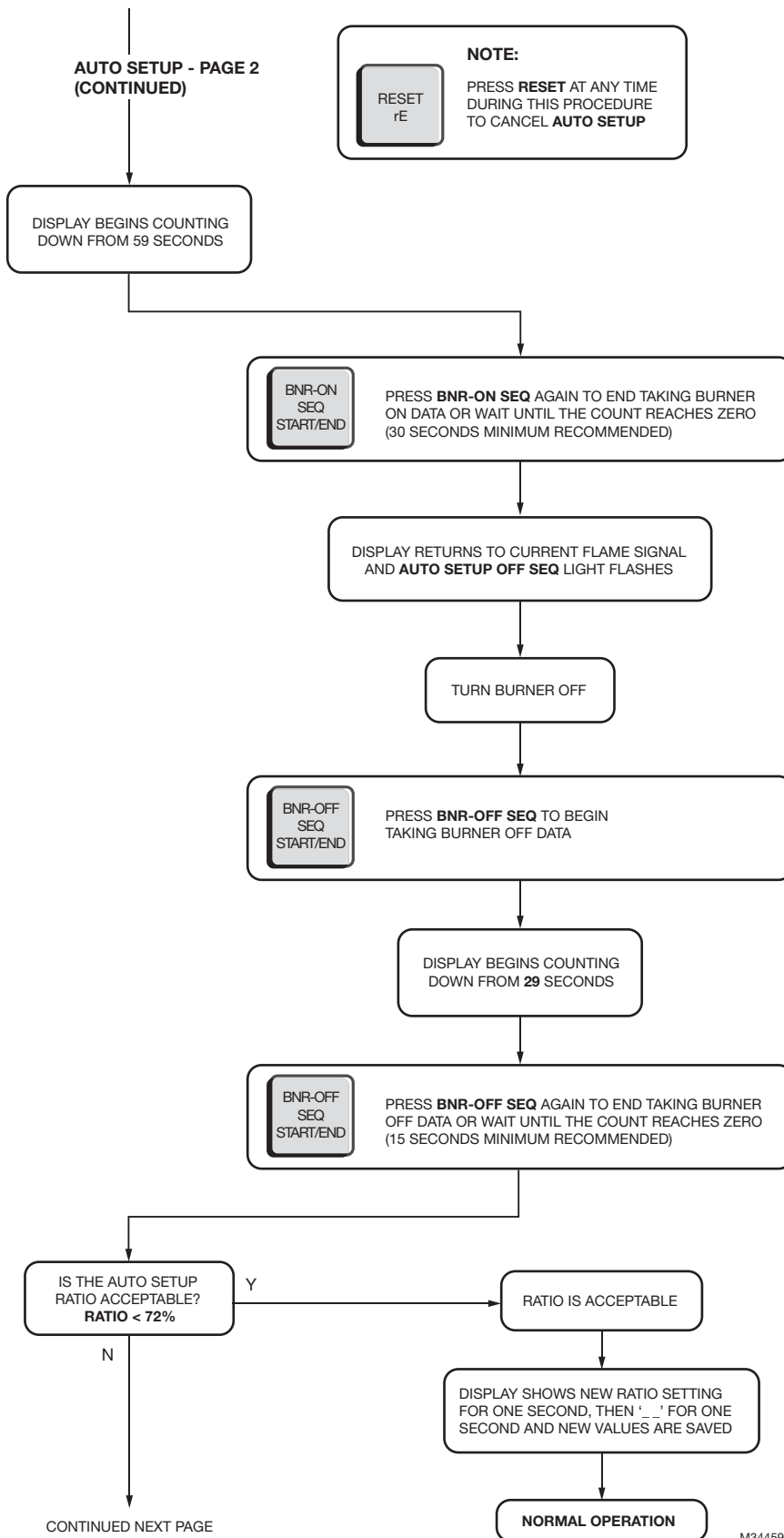
M34456A

Fig. 19. Flow Chart 1 - Setting Factory Defaults.



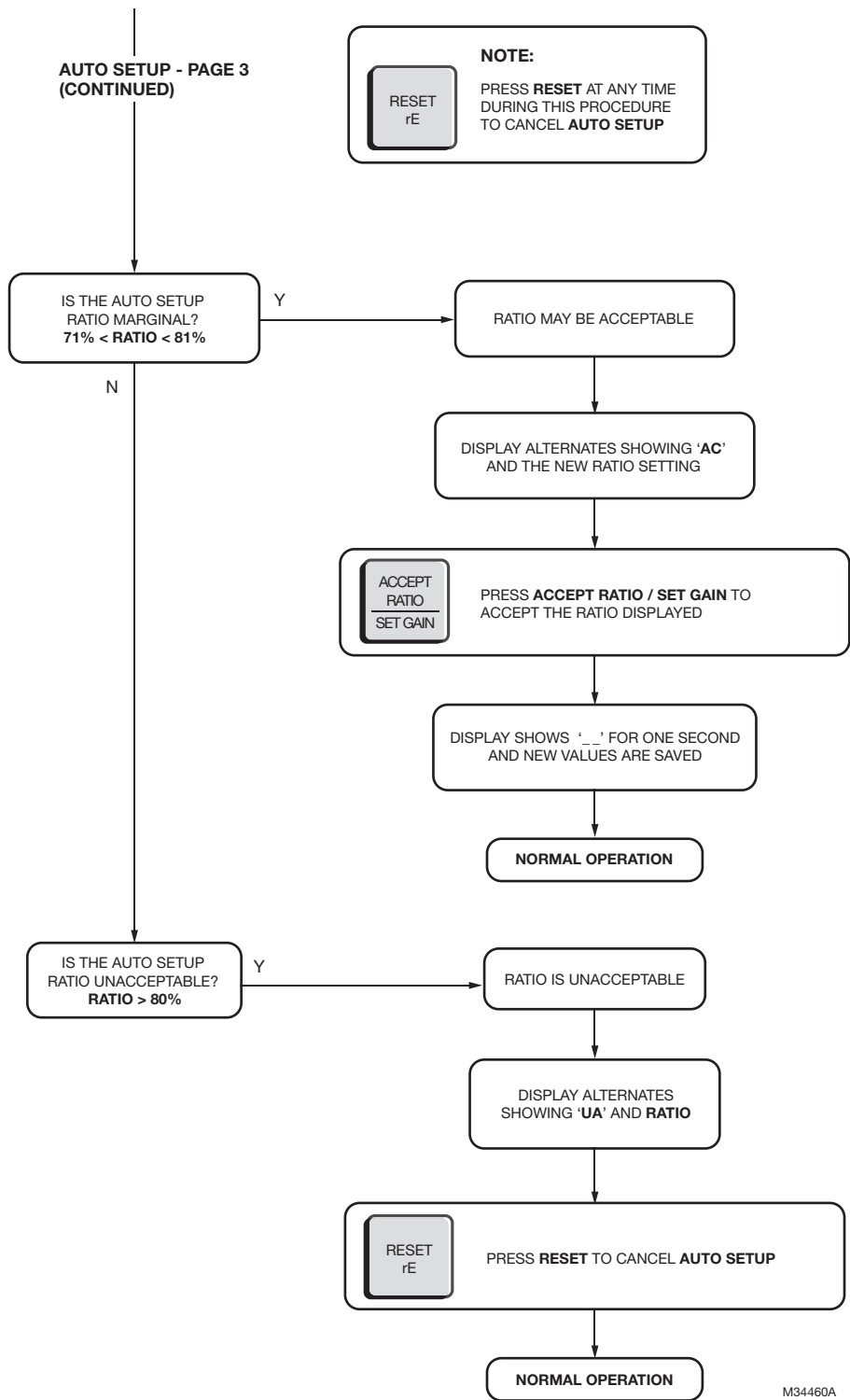
M34458B

Fig. 20. Flow Chart 2 - Auto Setup Page 1.



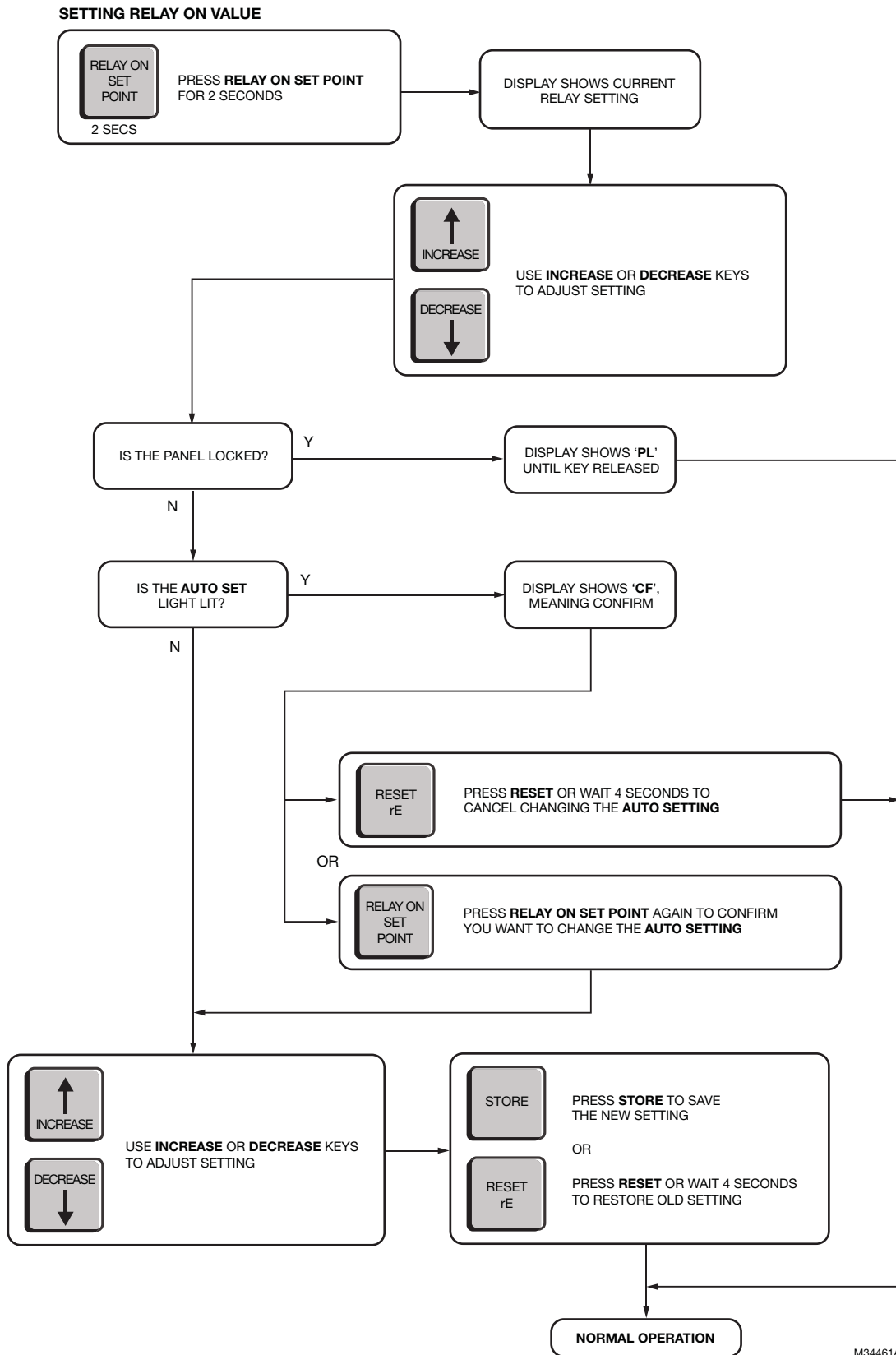
M34459A

Fig. 21. Flow Chart 3 - Auto Setup Page 2.



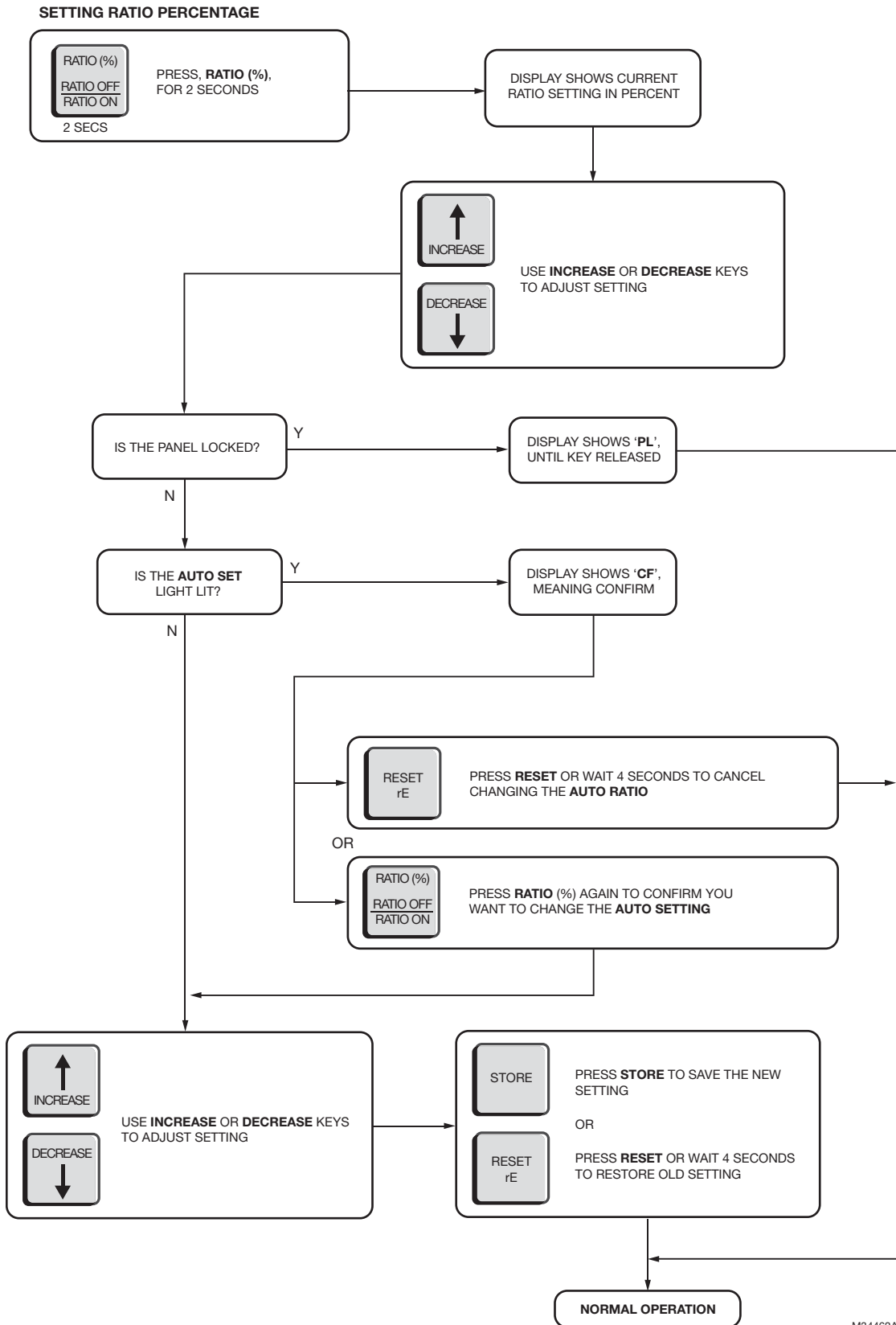
M34460A

Fig. 22. Flow Chart 4: Auto Setup Page 3.



M34461A

Fig. 23. Flow Chart 5: Manual Flame On Setup.



M34462A

Fig. 24. Flow Chart 6: Manual Flame Off Setup.

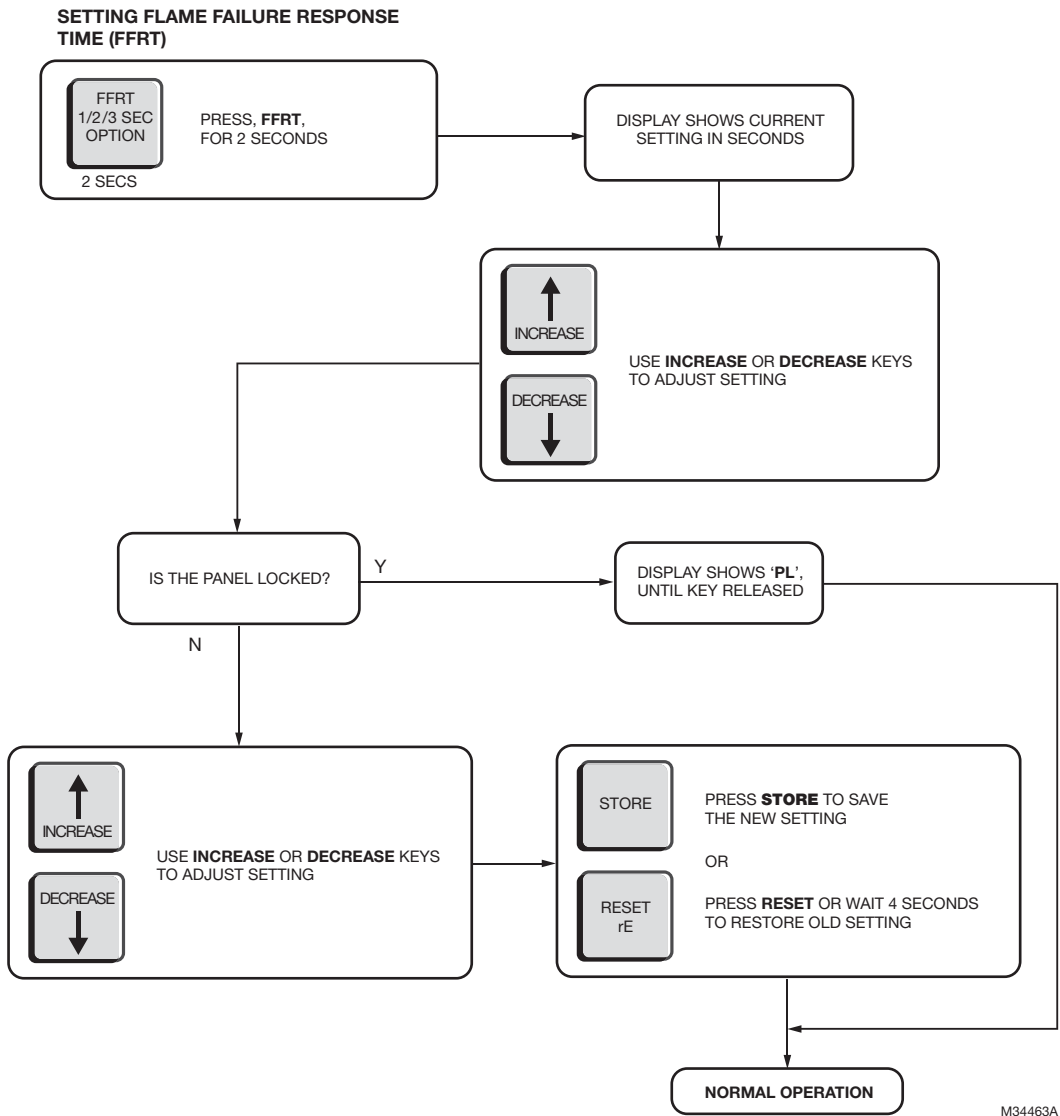


Fig. 25. Flow Chart 7: Flame Failure Response Time (FFRT) Setup.

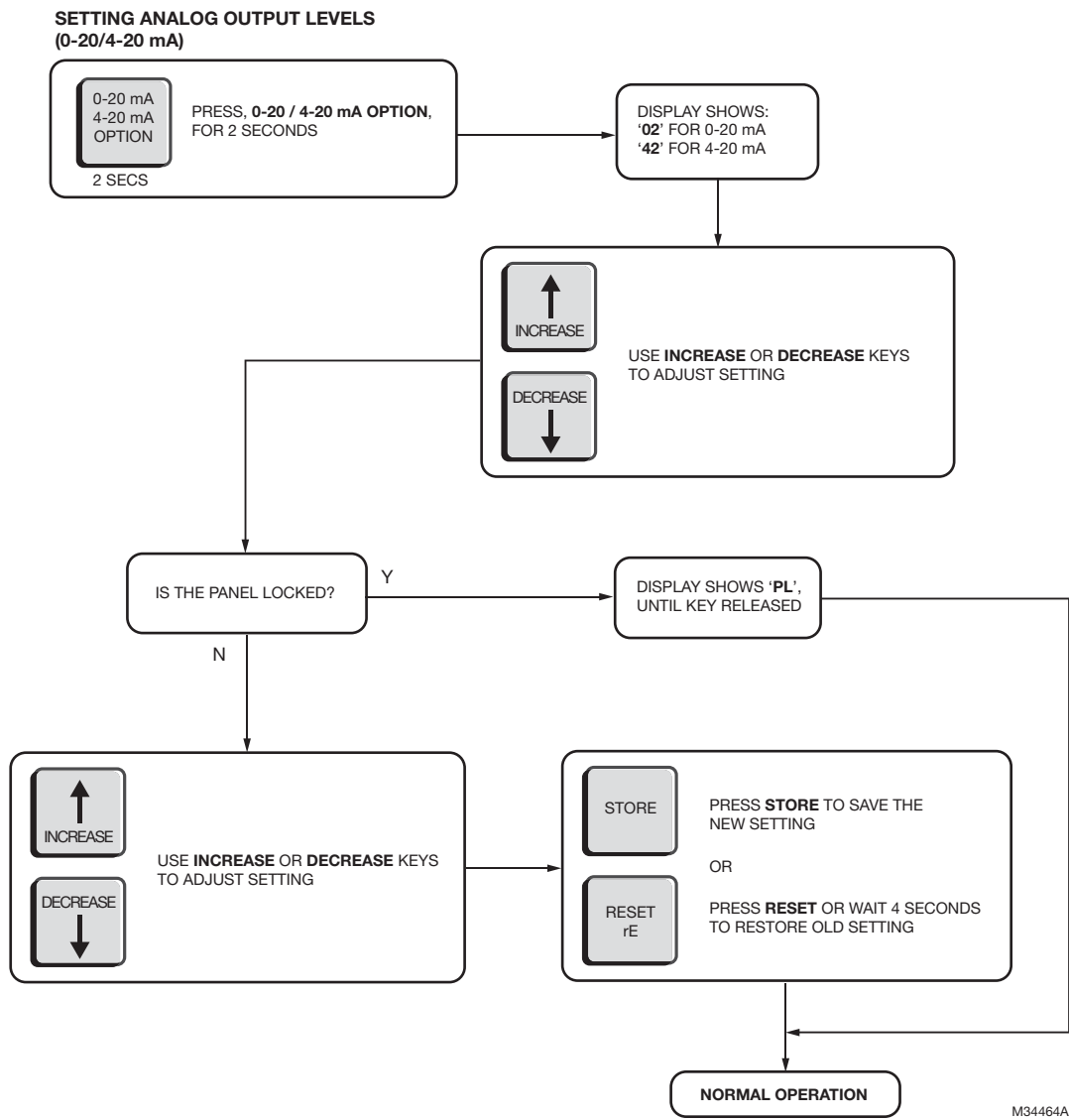


Fig. 26. Flow Chart 8: 0-20/4-20mA Analog Output Setup.

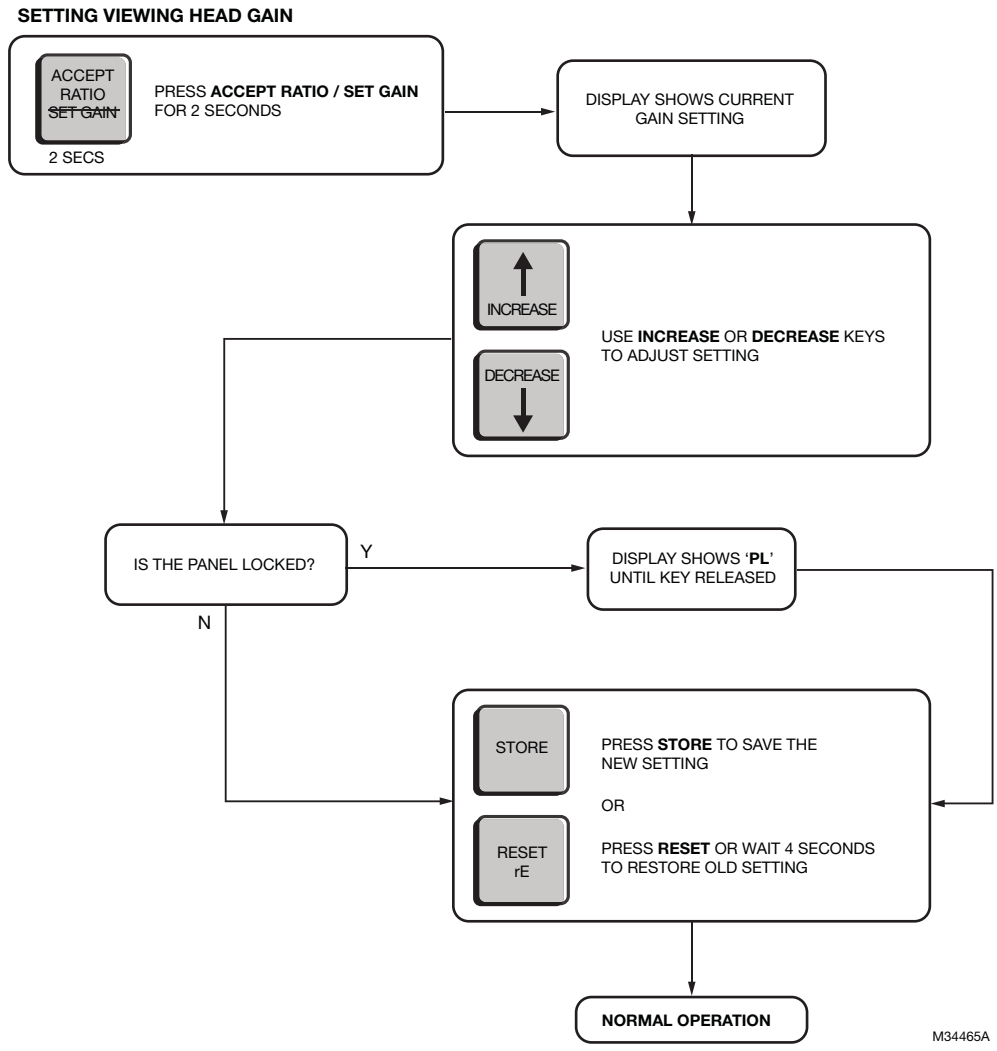


Fig. 27. Flow Chart 9: Viewing Head Gain Setting.

SAFETY MANUAL: 700 SIGNAL PROCESSOR

700ACSP, 700DCSP Product Declaration

FIT FOR USE IN A LOW DEMAND SAFETY APPLICATION.

Models: 700ACSP & 700DCSP

Models	SIL	HFT	SFF	PFD	λ_s	λ_{dd}	λ_{du}
700AC	3	0	>99%	1.79×10^{-4}	1.93×10^{-6}	8.53×10^{-9}	8.20×10^{-9}
700DC	3	0	>99%	1.79×10^{-4}	1.36×10^{-6}	8.53×10^{-9}	8.20×10^{-9}

System Architecture	1oo1
MTTR (Mean Time to Restoration)	8 hours
Proof Test Interval	5 years
Fit for use in	SIL 3 environment

Table 5. Definitions.

Term	Definition
Dangerous Failure	Failure which has the potential to put the safety-related system in a hazardous or fail-to-function state.
Safety-related System	A system that implements the required safety functions required to achieve or maintain a safe state and is intended to achieve on its own or with other systems the necessary safety integrity for the required safety functions.
Safety Function	Defined function, which is performed by a safety-related system with the aim of achieving or maintaining a safe state for the plant, in respect of a specified hazardous event.
Proof Test	Periodic test performed to detect failures in a safety-related system so that, if necessary, the system can be restored to an “as new” condition or as close as practical to this condition.
MTTR (Mean Time to Restoration)	The average duration required for restoration of operations after a failure.
λ_{sd}	Rate of safe detectable failures per one billion hours. For example if $\lambda_{sd} = 3000$, then it is estimated that there will be about 3,000 safe detectable failures during every one billion hours of operation. For $\lambda_{sd} = 3000$, this is about one safe detectable failure every 38 years.
λ_{su}	Rate of safe undetectable failures per one billion hours.
λ_{dd}	Rate of dangerous detectable failures per one billion hours.
λ_{du}	Rate of dangerous undetectable failures per one billion hours.
HFT	Hardware Fault Tolerance
System Architecture	Specific configuration of hardware and software elements in a system.
PFD _{AVG} (Average Probability of Failure on Demand)	Average Probability of Failure on Demand. In this case, regarding the 700 Signal Processor.
FIT (Failures in Time)	A unit of measurement representing one failure per billion hours. 1,000,000,000 hours is approximately 114,155.25 years.

Safety Function of the 700

The safety function of the 700 signal processor consists of a Flame Relay which comprises its safety function and behaves as follows:

The Flame Relay (Normally Open)

- The Flame Relay will be **energized** when the signal processor is powered and a flame on condition is detected.

- The Flame Relay will be **de-energized** when the signal processor is powered, a flame of condition is detected, and the FFRT (Flame Failure Response Time) has elapsed.
- The Flame Relay will be **de-energized** when the signal processor is powered and detects a fault condition.
- The Flame Relay will be **de-energized** when power to the signal processor is off.

As an added safety feature, the coil of the Flame Relay is wired in series with a second pole of contacts on a Self Check Relay. The Self Check Relay is designed to be closed during normal operation of the signal processor and open during detection of a fault or power down. It is physically impossible for the Flame Relay to be closed if the Self Check Relay is open, unless the contacts of the Flame Relay are welded closed or the contacts of the Self Check Relay are welded closed. To reduce the chance of a false flame on condition, it is recommended that the user wire the Flame and Self Check Relays in series.

Also, as another added safety feature, neither relay can be driven by a simple continuously high or continuously low

signal. Each relay must be driven by an alternating signal of the proper frequency and duty cycle from the processor.

700AC or 700DC Signal Processor Proof Test Interval

The Proof test must be conducted every 1 to 5 years. This range is given to allow for the test to be performed during the normally scheduled burner shutdown period. It is the responsibility of the user to perform the proof test in the specified time frame.

The following diagram presents the dependence of the PFD_{AVG} on the proof test interval. The PFD_{AVG} increases as the proof test interval increases.

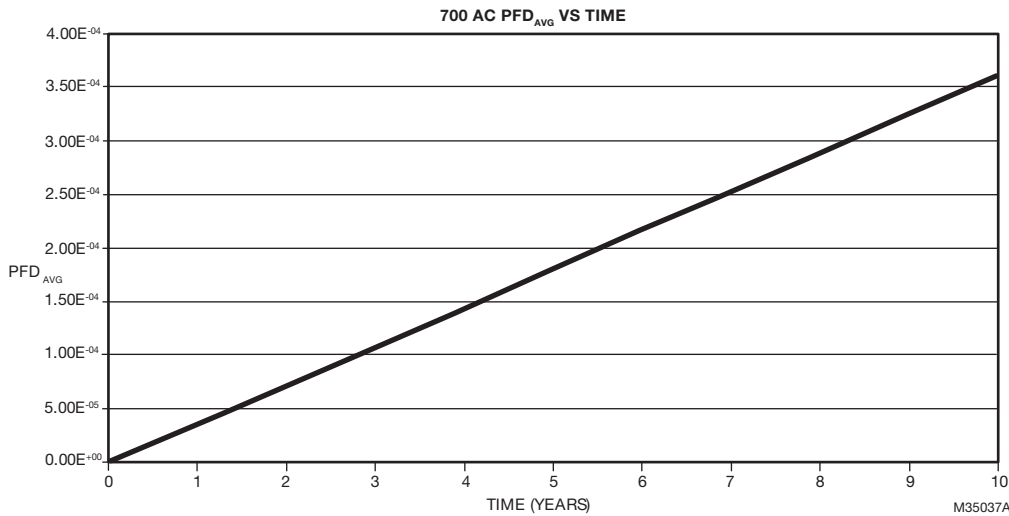


Fig. 28. Dependence of the PFD_{AVG} on the proof test interval for 700AC.

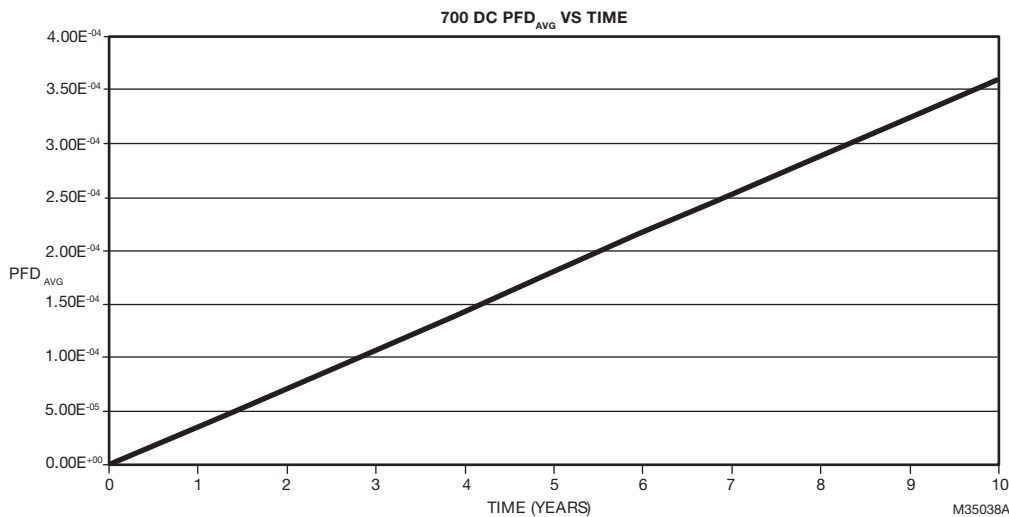


Fig. 29. Dependence of the PFD_{AVG} on the proof test interval for 700DC.

700AC or 700DC Signal Processor Proof Test Procedure

Equipment

- Powered 700AC or 700DC correctly connected to a compatible viewing head.
- Multimeter able to take voltage and resistance measurements.
- For 700AC signal processors, an 85V AC to 265V AC power source.
- For 700DC signal processors, a 22V DC to 26V DC power supply.
- Light source* capable of generating a flame on condition.

* Generally an incandescent bulb will work for IR viewing head sensors and a deep UV light or flame will work for UV viewing head sensors

Setup

1. Ensure the 700AC or 700DC signal processor under test is correctly connected to a compatible viewing head and is fully operational.
2. While performing the proof test, disconnect or disregard the signal processor outputs so that any outputs due to testing do not affect the overall safety system and potentially cause a hazardous situation.
3. Record all previously entered user programmable settings so that you can restore them to their desired values after the proof test.

Tests

1. Remove power to the signal processor and, using a multimeter, ensure continuity between 'SC COM' and 'SC OFF'.
2. Reapply power to the signal processor and, using a multimeter, ensure continuity between 'SC COM' and 'SC ON'.

3. Use a light source to generate a flame on condition and, using a multimeter, ensure continuity between 'RF A COM' and 'RF A ON', and between 'RF B COM' and 'RF B ON'.
4. Remove any light source to generate a flame off condition and, using a multimeter, ensure continuity between 'RF A COM' and 'RF A OFF', and between 'RF B COM' and 'RF B OFF', after the FFRT (Flame Failure Response Time) has elapsed.
5. Measure the current draw of the signal processor with its viewing head attached and ensure it is less than 0.07A RMS for 700AC signal processors and 250mA for 700DC signal processors.
6. Measure the DC voltage between ground 'VH GND' and 'VH +V' going to the viewing head. Ensure it is between 20 and 26 V DC.
7. Change one of the settings of the signal processor and store the changed setting. Remove power to the signal processor for 10 seconds. Restore power to the signal processor and ensure the stored value has remained unchanged.
8. Use your light source to generate flamecounts of between 12 and 22 on the signal processor. Note the flamecount.
 - a. Increase the gain and store the setting. Ensure the flamecount increased.
 - b. Decrease the gain and store the setting. Ensure the flamecount decreased.
9. Restore all original settings as recorded in Setup and reconnect the signal processor to the safety system.

Product Decommissioning

When required, decommissioning of the 700 should be performed in accordance with requirements of the overall safety system.

SAFETY MANUAL: S70X & 80X VIEWING HEAD

S702, S706, S802, AND S806 Product Declaration

FIT FOR USE IN A LOW DEMAND SAFETY APPLICATION.

Models: S702, S702-PF, S706, S706-PF, S802, S806

Models	SIL	HFT	SFF	PFD	λ_s	λ_{dd}	λ_{du}
S702 and S802	3	0	>99%	1.81×10^{-10}	1.70×10^{-7}	2.27×10^{-11}	0
S706 and S806	3	0	>99%	1.51×10^{-5}	1.02×10^{-5}	2.27×10^{-11}	6.90×10^{-10}

System Architecture	1oo1
MTTR (Mean Time to Restoration)	8 hours
Proof Test Interval	5 years
Fit for use in	SIL 3 environment

Table 6. Definitions.

Term	Definition
Dangerous Failure	Failure which has the potential to put the safety-related system in a hazardous or fail-to-function state.
Safety-related System	A system that implements the required safety functions required to achieve or maintain a safe state and is intended to achieve on its own or with other systems the necessary safety integrity for the required safety functions.
Safety Function	Defined function, which is performed by a safety-related system with the aim of achieving or maintaining a safe state for the plant, in respect of a specified hazardous event.
Proof Test	Periodic test performed to detect failures in a safety-related system so that, if necessary, the system can be restored to an “as new” condition or as close as practical to this condition.
MTTR (Mean Time to Restoration)	The average duration required for restoration of operations after a failure.
λ_{sd}	Rate of safe detectable failures per one billion hours. For example if $\lambda_{sd} = 3000$, then it is estimated that there will be about 3,000 safe detectable failures during every one billion hours of operation. For $\lambda_{sd} = 3000$, this is about one safe detectable failure every 38 years.
λ_{su}	Rate of safe undetectable failures per one billion hours.
λ_{dd}	Rate of dangerous detectable failures per one billion hours.
λ_{du}	Rate of dangerous undetectable failures per one billion hours.
HFT	Hardware Fault Tolerance
System Architecture	Specific configuration of hardware and software elements in a system.
PFD _{AVG} (Average Probability of Failure on Demand)	Average Probability of Failure on Demand. In this case, regarding the S702, S706, S802, and S806 viewing heads.
FIT (Failures in Time)	A unit of measurement representing one failure per billion hours. 1,000,000,000 hours is approximately 114,155.25 years.

Safety Function of the S702, S706, S802, and S806

The S702, S706, S802, and S806 viewing heads do not have a safety function. They are used to provide flame intensity information via cables to Signal Processor Models 531AC, 531DC, 532AC, 532DC, 700AC, 700DC, and 800 which use Flame Relays to provide a safety function.

S70X and S80X Viewing Head Proof Test Interval

The proof test must be conducted every 1 to 5 years. This range is given to allow for the test to be performed during the normally scheduled burner shutdown period. It is the responsibility of the user to perform the proof test in the specified time frame.

The following diagrams present the dependence of the PFD_{AVG} on the proof test interval. The PFD_{AVG} increases as the proof test interval increases.

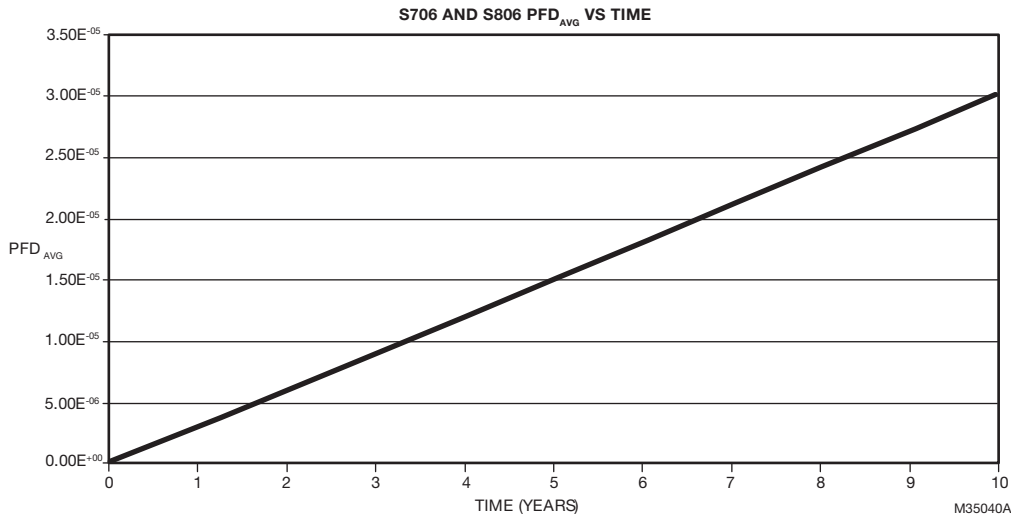


Fig. 30. Dependence of the PFD_{AVG} on the proof test interval for S706 & S806.

S70X and S80X Viewing Head Proof Test Procedure

Equipment

1. 700 or P532 Signal Processor connected to the S702, S706, S802, or S806 viewing head.
2. DC power supply for DC model signal processor and AC power supply for AC model.
3. A source capable of generating UV or IR signals as required.

NOTE: For UV use Honeywell UVsource.
For IR connect incandescent lamp to AC source.

Setup

1. Ensure the S702, S706, S802, or S806 viewing head under test is correctly connected to a compatible signal processor.
2. While performing the proof test, disconnect or disregard the signal processor outputs so that any outputs due to testing do not affect the overall safety system and potentially cause a hazardous situation.
3. Record all previously entered user programmable settings so that you can restore them to their desired values after the proof test.

Tests

NOTE: S702 and S802 viewing heads must be illuminated by an infrared light source. S706 and S806 viewing heads must be illuminated by an ultraviolet light source.

1. Apply power to the signal processor, fully illuminate the viewing head with the light source, and ensure that a flame on condition is indicated by the signal processor.
2. Gradually angle the light source away from the viewing head. Ensure that the count decreases until a flame off condition is indicated by the signal processor.
3. Cover the end of the viewing head with your hand and ensure that the signal processor indicates a flame count of zero.
4. For model 531AC, 531DC, 532AC, and 532DC, signal processors, use your light source to generate a flamecount of between 1200 and 2800, and note the flamecount. For model 700AC, 700DC, and 800 signal processors, use your light source to generate a flamecount of between 12 and 22, and note the flamecount.

- a. Increase the gain and store the setting. Ensure the flamecount increased.
- b. Decrease the gain and store the setting. Ensure the flamecount decreased.
5. Restore all original settings as recorded in Setup and reconnect the signal processor to the safety system.

Product Decommissioning

When required, decommissioning of the S70X and S80X viewing heads should be performed in accordance with requirements of the overall safety system.

For More Information

The Honeywell Thermal Solutions family of products includes Honeywell Combustion Safety, Eclipse, Exothermics, Hauck, Kromschröder and Maxon. To learn more about our products, visit ThermalSolutions.honeywell.com or contact your Honeywell Sales Engineer.

Honeywell MAXON branded products

201 E 18th Street

Muncie, IN 47302

USA

www.maxoncorp.com

Honeywell Process Solutions

Honeywell Thermal Solutions (HTS)

1250 West Sam Houston Parkway

South Houston, TX 77042

ThermalSolutions.honeywell

Honeywell

Processador de Sinal e Sensor de Chama Honeywell Modelo 700/800

MANUAL DO USUÁRIO



- Modelo 700ACSP Universal alimentado por 85-265 V CA, além de um backup 24V CC.
- Modelo 700DCSP Universal alimentado por 22-26V CC, além de um backup 24V CC.

Os dois processadores de sinal Modelo 700 são semelhantes, com 12 botões, visor numérico de dois dígitos e quatro LEDs indicadores de status para interface com o operador. A única diferença entre os dois é que um aceita alimentação CA e o outro aceita CC. Ambos modelos aceitam backup de alimentação de 24 V CC. A maioria das conexões dos processadores de sinal é feita por meio de conectores Phoenix. Conexões de comunicação são feitas por meio de portas modulares de telefone localizadas na parte superior dos processadores de sinal (Fig. 9).

Ambos modelos de processador de sinal podem ser montados em um trilho DIN 35mm padrão. Eles encaixam no trilho e podem ser liberados com uma chave de fenda.

Existem dois tipos de sensores de chama-sensíveis a IR/tremulação e sensíveis a UV-com diversas características que resultam em dez diferentes modelos. Consulte a Tabela 1 na página 2 para obter mais detalhes.

Os invólucros dos sensores de chama S702 e S706 são maiores em diâmetro do que a série S80X, são feitos de alumínio e são fixados com fechos acima do centro em suas bases de montagem (Fig. 10). Por outro lado, os invólucros dos sensores de chama S802 e S806 são menores em diâmetro e feitos de aço inoxidável (Fig. 11). Os sensores de chama da série 800 são presos em sua base de montagem por uma trava de atrito twist-lock.

Os sensores de chama sensíveis a IR/tremulação possuem um filtro passa-alto que passa frequências de tremulação acima de 33 Hz. Os modelos UV respondem a níveis de radiação UV-não tremulação UV-então não há opção de filtro.

APLICAÇÃO

Os processadores de sinal Honeywell Modelo 700DCSP são sistemas de monitoramento de chama de canal único, à prova de falhas, usados em conjunto com os sensores de chama S70X/S80X. Oferecem fácil configuração, excelente discriminação e alta confiabilidade.

Recursos

Os sensores de chama são intercambiáveis entre os dois modelos de processadores de sinal. Qualquer sensor de chama das duas famílias poderá trabalhar com qualquer um dos processadores de sinal.

Dois modelos de processador de sinal estão disponíveis:

Conteúdo

Aplicação	1
Recursos	1
Especificações	2
Aprovações	3
Instalação	3
Operação	12
Comunicação Modbus	16
Solução de Problemas	19
Manutenção	19
Manual de Segurança: Processador de Sinal 700	35
Manual de Segurança: Sensor de Chama S70X e 80X	38

Tabela 1. Modelos de sensores de chama disponíveis e recursos relacionados.

Modelo	Conector	Conexão em Tubo NPTM de 0,5 pol. com cabo Pigtail de 3m (10 pés)	Sensor UVTron	Sensor IR	Filtro de Alta Frequência de 155Hz	Invólucro de Alumínio	Invólucro de Aço Inoxidável
S702	X			X		X	
S702PF		X		X		X	
S706	X		X			X	
S706PF		X	X			X	
S802	X			X			X
S806	X		X				X

1. Todos os modelos incluem autodiagnóstico eletrônico.
2. Configurações disponíveis de filtros de frequência de tremulação para modelos de sensor IR.
3. Seleção de Ganho disponível por meio do Processador de Sinal.

Os sensores de chama, o conector do sensor de chama, e o cabo de 15 pés fornecidos são à prova d'água, e têm certificações IP64 se o conector estiver devidamente apertado com alicate e o cabo estiver protegido de exposição UV.

A disponibilidade de ambos sensores de chama, sensoramento de UV e sensoramento de IR/tremulação, é a garantia de que os sistemas de monitoramento de chama podem fornecer uma boa discriminação na maioria dos queimadores simples e múltiplos que utilizam um único combustível. O sensoriamento de UV é adequado para monitoramento de chamas de gás natural, algumas misturas de gases e óleo leve. O sensoriamento de IR/tremulação é adequado para chamas de óleos pesados e carvão.

ESPECIFICAÇÕES

Sensores de Chama Séries 700 e 800

MODELOS S702, S702PF, S706 E S706PF MODELOS S802 E S806

Elétrica

A alimentação de 24V CC é fornecida pelo Processador de Sinal

Meio Ambiente

Vedação do Sensor de Chama: Certificação IP64 quando o anel conector metálico estiver apertado com um alicate e uma proteção UV for fornecida para o cabo por meio da instalação em conduíte.

Temperatura Ambiente Permissível: -40°C a 85°C (-40°F a 185°F) CSA para CLASSE I, DIV 2, GRUPOS A, B, C, D, T4A

-40°C a 65°C (-40°F a 149°F) IECEx CSA Ex nA IIC T4 Gc

Especificações do Detector IR

S702, S702PF e S802: Fotodiodo de germânio com resposta espectral de 950nm a 1710nm (1/2 ponto de intensidade) e resposta espectral máxima em 1400nm
Filtro Passa-Alto: Padrão 33Hz

Ótica IR

Ângulo Visual: 1 grau (1,45 pol. diâm a 6 pés ou 3,7cm diâm a 1,8m)

Especificações do Detector IR

S706 e S706PF, S806: UVtron com resposta espectral de 185nm a 260nm e valor máximo a 210nm

Ótica UV

Ângulo Visual: 5 graus (1 pol. por pé)

Cabos & Conectores - Sensores de Chama S70X/S80X

Novas instalações - maior nível de blindagem de IEM disponível:

ASY785 --> Cabo C330S de 50 pés com conector pré-montado ASY786.

ASY785-200 --> Cabo C330S de 200 pés com conector pré-montado ASY786.

ASY786 --> Conector montável com blindagem.

Dimensões

Consulte as Figuras 10 e 11.

Processador de Sinal Modelo 700ACSP e 700DCSP

Elétrica: Modelo 700ACSP

Principal Potência de Entrada: 85-265V CA, 50-60 HZ, 0,07A

Máx. com fusível (para ambos S.C. conectados)

Voltagem da Bateria de Backup: 22V CC a 26V CC, 0,2A CC

Máx. com fusível (para ambos S.C. conectados)

Elétrica: Modelo 700DCSP

Principal Potência de Entrada: 22V CC a 26V CC, 250 mA

Máx. com fusível (para ambos S.C. conectados)

Voltagem da Bateria de Backup: 22V CC a 26V CC, 0,5A CC

Máx. com fusível (para ambos S.C. conectados)

Saídas

Relé de Chama: 2 contatos form C Relé de

Autodiagnóstico: 1 contato form C

Valores do Contato do Relé: 5A em 125 V CA, 277 V CA e 30 V CC; 1/8 HP 125 e 250 V CA

Sinal Analógico de Chama: Saída isolada para 0 a 20 mA e 4 a 20 mA para medidores remotos ou DCS, resistência máxima de 360 ohms

Meio Ambiente

Temperatura Ambiente Permissível: 32°F a 140°F (0°C a 60°C)

Dimensões

Consulte as Figuras 12 e 13.

APROVAÇÕES**Sensores de Chama S70X/S80X (Série de Conectores, Série de Conexão em Tubo [-PF])**

CSA para CLASSE I, DIV 2, GRUPOS A, B, C, D e T4A
SIL 3 "Apto para Uso" -40<Ta<85°C, -40<TA<185°F



IECEX CSA Ex nA IIC T4 Gc IP64
-40<Ta<65°C, -40<TA<149°F

*A certificação IP64 é aplicada quando o anel do conector for devidamente apertado e o cabo for blindado para UV
Condições específicas de utilização: A entrada de tensão nominal do equipamento (22 a 26 VCC) deverão ser protegidos de modo em que os transientes estarão limitados a uma sobretensão de 119 V. Esta proteção não é necessária para as linhas de saída de sinal.

KTL

Sensores de Chama S702/S706 (Série de Conectores)



KTL

15-KA4BO-0199X

KTL

Sensores de Chama S702PF/S706PF (Série de Conexão em Tubo)



KTL

15-KA4BO-0196X

KTL

Sensores de Chama S802/S806 (Série de Conectores)



KTL

15-KA4BO-0197X

Processadores de Sinal 700ACSP e 700DCSP

CSA (C, US)

FM

INSTALAÇÃO**Quando Instalar esses Produtos...**

1. Leia as instruções cuidadosamente. Não seguir as instruções pode danificar os produtos ou criar condições perigosas.
2. Verifique as certificações presentes nas instruções e nos produtos para ter certeza de que os produtos são apropriados para a sua aplicação.
3. O instalador precisa ser um técnico treinado e experiente em proteção de chamas.
4. Após o término da instalação, verifique a operação do produto fornecida nessas instalações.

Montagem do Processador de Sinais

Os processadores de sinal 700ACSP e 700DCSP podem ser montados em um trilho DIN 35mm padrão. Eles encaixam no trilho e podem ser liberados com uma chave de fenda.

Aterramento e Blindagem

OBSERVAÇÃO: O instalador precisa ser um técnico treinado e experiente em proteção de chamas, e deve estar familiarizado com a operação de equipamento e com as limitações e conhecer todos os códigos e regulamentos locais aplicáveis.

1. Conecte um aterramento de segurança no invólucro do sensor de chama (se aplicável). Um parafuso para aterramento é fornecido na parte externa dos invólucros S70x/S80x para esta finalidade.

⚠️ ATENÇÃO

O sensor de chama é aterrado pelo cabo/processador de sinal, portanto, é preciso ter certeza de que os potenciais CA/CC no terra do processador de sinal e do sensor de chama são os mesmos, ou danos podem ocorrer ao cabo ou ao processador de sinal.

2. O sensor de chama e todo cabo/conduíte associado deve estar a pelo menos 31 cm (12 pol.) de qualquer fonte de alta energia ou tensão (por exemplo, equipamentos de ignição).

3. Instale um fio terra a partir da caixa de transformadores de ignição para a unidade de ignição.
4. Certifique-se de que todos os fios e cabos de ignição não exibam sinais de desgaste. Substitua os cabos ou fios de ignição que estão desgastados ou rachados.
5. O sensor de chama deve ser eletricamente isolado da parte frontal do queimador.
 - a. O isolamento elétrico pode ser feito por meio da instalação de um niple Ultem (R-518-13) ou um acoplador com trava Ultem (R-518-PT13 ou R-518-PT13L) em conjunto com um acoplador com trava (R-518-CL13-HTG) entre a flange do sensor e parede do queimador.
 - b. A linha de ar de purga também deve ser isolada do sensor de chama. Este procedimento pode ser realizado por meio da instalação de qualquer material isolante, por exemplo, uma mangueira de borracha, entre a linha do ar de purga e o sensor de chama.

Conexões de Energia do Processador de Sinal

As conexões de energia e de relé do Modelo 700ACSP estão representadas na Fig. 1. A fonte de alimentação CA do Processador de Sinal 700ACSP passa por um fusível de 2A e um limitador de corrente de partida.

As conexões de energia e de relé do Modelo 700DCSP estão representadas na Fig. 2. O máximo de corrente necessária para cada 700DCSP é 250mA.

O relé de chama dos processadores de sinal modelo 700 (RF A/B ON, OFF, COM) tem dois conjuntos de contatos FORM C (SPDT) e o relé de autodiagnóstico (SC ON, OFF, COM) tem um conjunto Fig. 1 e Fig. 2). O relé de autodiagnóstico é energizado sempre que o processador de sinal é alimentado

e está funcionando normalmente, independentemente se o relé de chama é energizado ou não. Internamente, o relé da chama é ligado em série com o relé de autodiagnóstico (não mostrado), impedindo que o relé de chama seja energizado se o relé de autodiagnóstico não estiver energizado.

Circuitos exclusivos à prova de falhas para os relés de autodiagnóstico e de chama garantem que, em caso de qualquer falha de um componente crítico, a resposta do sistema será desenergizar o relé de autodiagnóstico, que por sua vez desenergiza o relé de chama.

Alguns detalhes da montagem elétrica de alimentação interna dos processadores de sinal Modelo 700ACSP e Modelo 700DCSP são mostrados na Fig. 1 e Fig. 2. Diodos retificadores separam a entrada de backup de bateria do barramento de alimentação principal até que a tensão da bateria for superior a tensão CC interna mais a queda de tensão do diodo. Fusíveis rearmáveis (mostrados como resistores com barras) e fusíveis convencionais evitam falhas internas de carregar as fontes de energia. Com o modelo 700DCSP, se uma bateria de reserva for utilizada com uma fonte de alimentação principal, as duas fontes de energia devem ser ligadas como mostrado na Fig. 2. Se nenhuma bateria de reserva estiver instalada, a principal fonte de alimentação pode ser ligada em +26V PWR e GND, como mostrado na Fig. 2, ou pode ser ligada à entrada +24V BATT e GND. É preferível utilizar as ligações da bateria por levar em conta o fusível rearmável na entrada da bateria; fusíveis rearmáveis se recuperam automaticamente de uma falha dentro de alguns segundos depois que a energia é removida. Na entrada +26V PWR e seu GND associado, fusíveis convencionais 1A são usados por serem capazes de proteger contra 240V CA sendo aplicado por acidente (o que poderia acontecer se um modelo 700DCSP estiver instalado em um gabinete com fio para um modelo 700ACSP).

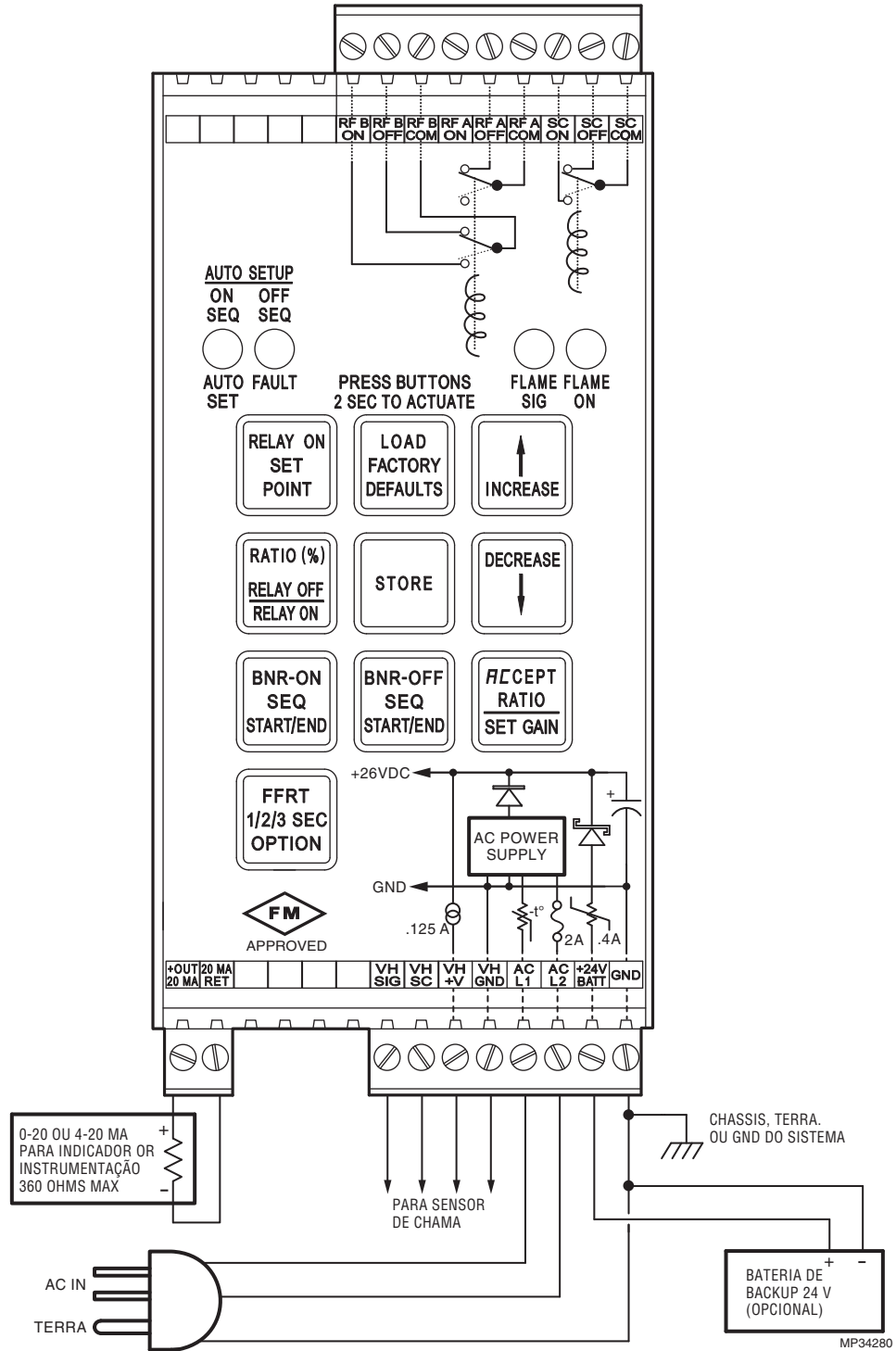


Fig. 1. Montagem Elétrica do Processador de Sinal Modelo 700ACSP.

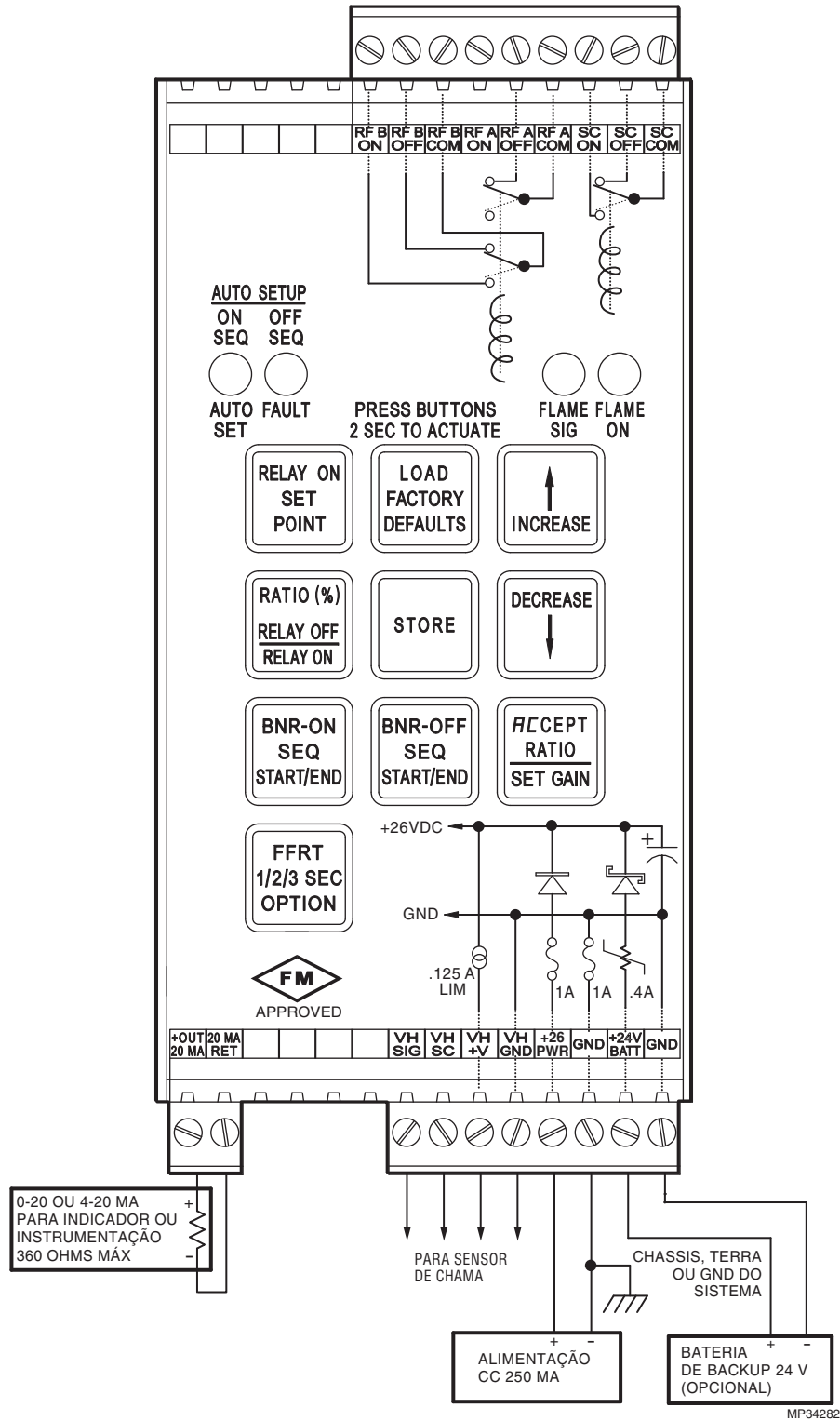


Fig. 2. Montagem Elétrica do Processador de Sinal Modelo 700DCSP.

Conector e Montagem Elétrica do Sensor de Chama

Sensores de chama devem ser ligados aos respectivos terminais localizados na parte inferior dos processadores de sinal 700DCSP, P531 e P532. As funções dos terminais estão listadas na Tabela 2.

Tabela 2. Descrição dos Terminais.

Terminal 700ACSP ou 700DCSP	Terminal P531 ou P532	Descrição
VH SIG	VH3 SIG	Sinal de Chama do Sensor de Chama
VH SC	VH3 SC	Sinal de Obturador para o Sensor de Chama
VH +V	VH3 +V	Alimentação +24V CC para o Sensor de Chama
VH GND	VH3 GND	GND Sinal de Aterramento

Conectores e cabos estão representados nas Fig. 3, Fig. 4 e Fig. 5. A Fig. 3 mostra o cabo do sensor de chama com a conexão NPT de 1/2 pol. e o cabo pigtail para utilização num conduto. O modelo PF vem com o cabo Honeywell C330S de 10 pés. Este cabo é recomendado para todas as novas instalações. Possui certificação ITC e CIC para local perigoso. As figuras 4 e 5 descrevem o cabo C330S usado com o conector montável de ângulo reto. Consulte "Acessórios" na página 9 para obter os números das peças.

Instalação de Cabos e Conectores do Sensor de Chama S70x/S80x em Local Perigoso

ATENÇÃO

RISCO DE EXPLOÇÃO

NÃO CONECTE NEM DESCONECTE ESTE EQUIPAMENTO SALVO EM CASO DE FALHA DE ENERGIA OU CASO EM QUE A ÁREA FOR CONHECIDA COMO NÃO PERIGOSA.

A SUBSTITUIÇÃO DE COMPONENTES PODE PREJUDICAR A ADEQUAÇÃO PARA CLASSE I, DIVISÃO 2.

AVERTISSEMENT

RISQUE D'EXPLOSION

NE PAS DEBRANCHER TANT QUE LE CIRCUIT EST SOUS TENSION, A MOINS QU'IL NE S'AGISSE D'UN EMPLACEMENT NON DANGEREUX.

LA SUBSTITUTION D'UN COMPOSANT PEUT ENDRE CE MATÉRIEL INACCEPTABLE POUR LES EMPLACEMENTS DE CLASSE I, DIVISION 2.

Os sensores de chama S70x/S80x precisam ser instalados com um conjunto de conector e cabo que mantenha grau de proteção no sensor de chama S70x/S80x. Além disso, o cabo aprovado ITC/CIC instalado na bandeja de cabos, ou o cabo aprovado ITC/CIC em conduto de metal precisa ser usado entre o S70x/S89x e o Processador de Sinal. Os conjuntos de cabo/conector pré-montado, que são relacionados abaixo, fornecem o lacre adequado no sensor de chama e atendem às aprovações de ITC/CIC. Um conector montável que fornece um lacre adequado no sensor de chama, juntamente com cabo classificado ITC/CIC, também estão disponíveis e relacionados abaixo. A instalação do cabo precisa estar em conformidade com a versão mais atual do National Electric Code (Código Nacional de Eletricidade) ou Canadian Electrical Code (Código Canadense de Eletricidade) para locais perigosos Classe I, Divisão 2.

Além disso, o conector precisa ser protegido da seguinte forma: ajuste manualmente o conector no sensor de chama até que não seja mais possível ser apertado. Continue apertando o conector mais 180 graus, usando alicates ou uma ferramenta semelhante.

ATENÇÃO

Aperto excessivo de conector pode danificar o conector ou o invólucro.

Danos anularão aprovações de local perigoso e garantia. Não exceda 180 graus de rotação adicional depois de apertar manualmente!

Verifique se não é possível soltar o conector manualmente. Esse procedimento é obrigatório para instalações em locais perigosos.

ASY785 – Conector pré-montado com indicadores LED e conjunto de cabos de 50 pés, classificado, com grau de proteção IP67 com cabo aprovado CIC/ITC.

ASY785-200 – Conector pré-montado com indicadores LED e conjunto de cabos de 200 pés, classificado, com grau de proteção IP67 com cabo aprovado CIC/ITC.

C330S – Cabo de 22g, classificado ITC/CIC, 4 condutores com drenagem e blindagem geral.

ASY786 – Conector montável com indicadores LED, e grau de proteção IP67.

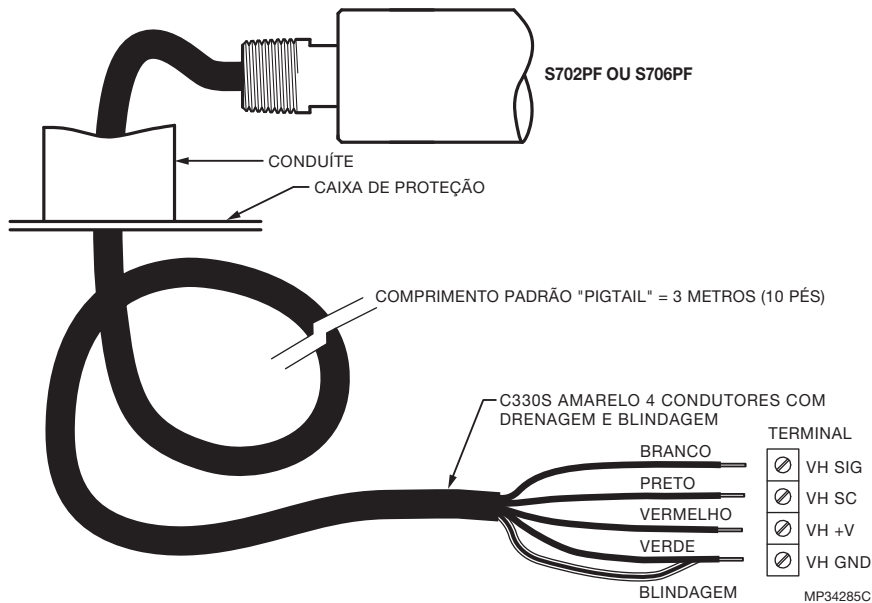


Fig. 3. Cabo do Sensor de Chama Modelo 700 com conexão NPT de 1/2 pol.

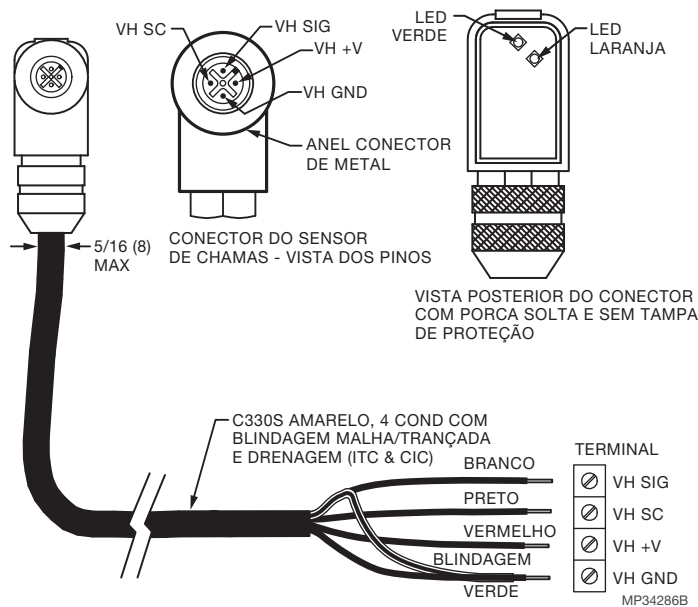


Fig. 4. Conexões do Cabo do Sensor de Chama Modelo 700/800.

Preparação do Cabo

OBSERVAÇÃO: Esta seção será tipicamente usada apenas para consulta. As partes do conector S70X/S80X são bem pequenas e delicadas, tornando difícil a montagem. É aconselhável apenas comprar cabos pré-fabricados da Honeywell.

O cabo Honeywell C330S é recomendado para uso com os sensores de chama e processadores de sinal S70X/S80X. O C330S possui certificação UL ITC e pode ser usado nos EUA em locais perigosos.

OBSERVAÇÃO: Isolante termo retrátil é necessário na fiação de drenagem e blindagem na extremidade do processador de sinal.

A preparação do cabo C300S no processador de sinal deve ser da seguinte maneira:

1. Com relação à Fig. 5, descape 2 pol. de cabo para expor a blindagem trançada.
2. Puxe o trançado e a malha de blindagem para trás para que apenas o fio de drenagem esteja com 2 polegadas de comprimento. Corte a malha e o trançado de blindagem no revestimento do cabo.
3. Isole o fio de drenagem com isolante termo retrátil.

4. Desencape os outros fios, como mostrado na Fig. 5.

A conexão do cabo Honeywell C330S ao conector do sensor de chama é mostrado na Fig. 7. A preparação do cabo deve ser feita da seguinte forma:

1. Prepare o fio C330S na extremidade do conector semelhante à fig. 5.
2. Monte o conector montável, como mostrado na Fig. 7. Certifique-se de que:
 - a. Certifique-se de que os fios e LEDs estejam em locais apropriados como na Fig. 4.

- b. Blindagem de malha trançada encontra-se fora da virola e é pressionada contra o invólucro quando montado.
- c. Solde fio de drenagem em um dos dois furos na entrada (consulte Fig. 6).
- d. A gaxeta da parte de trás do conector está no local correto antes da instalação.
- e. Após a montagem, verifique se o conector está apertado e bem protegido.

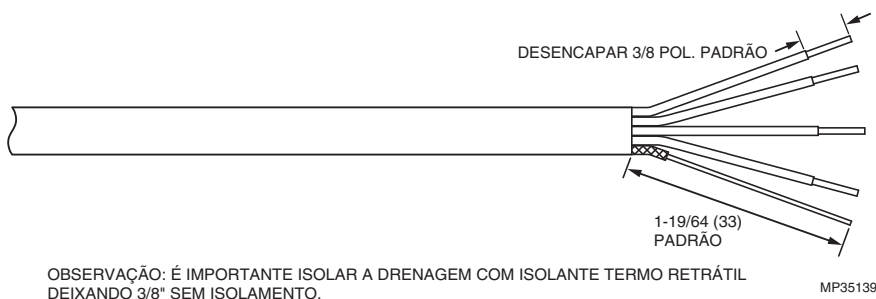


Fig. 5. Preparação do Cabo da Extremidade do Processador de Sinal C330S.

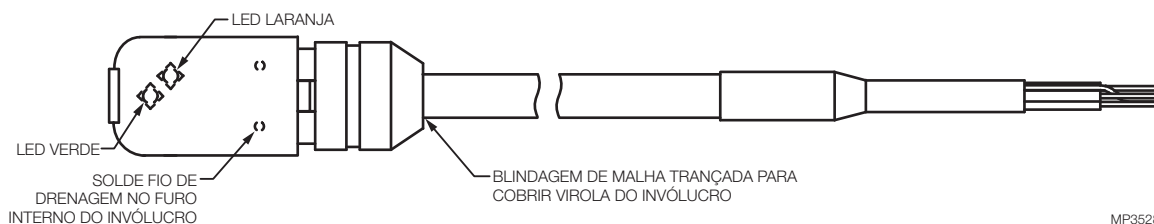


Fig. 6. Local do fio de drenagem soldado.

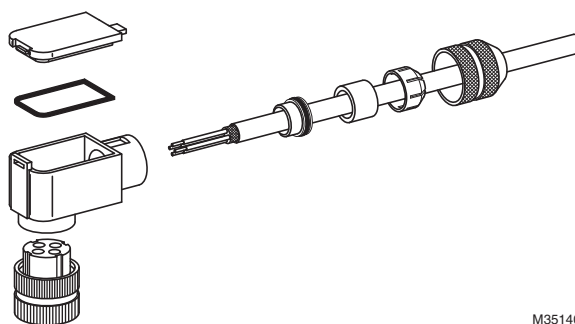


Fig. 7. Montagem do Conector de Sensor de Chama ASY786 com o C330S.

Protegendo o Cabo do Sensor de Chama (Séries de Conectores)

Note que quando a montagem elétrica precisa atender aos requisitos Classe I, Divisão 2 para uso em locais perigosos e quando conduíte é usado, o conduíte deve ser selado onde o cabo passa do local perigoso para o local não perigoso, para manter gases potencialmente perigosos isolados da área não perigosa.

Indicadores LED de Conector do Sensor de Chama

O conector do sensor de chama possui LEDs laranja e verde, que podem ser vistos na parte posterior do conector quando a tampa do conector é removida.

O LED verde indica os pulsos que saem do sensor de chama e o LED laranja mostra que o sinal de autodiagnóstico do processador de sinal está chegando ao sensor de chama. Se a energia estiver ligada ao processador de sinal, o LED laranja deve piscar um pulso por segundo, mesmo que sensor

de chama não esteja conectado. Isso é útil na solução de problemas.

Sem o sinal de chama presente, o LED verde pisca um pulso por segundo junto do sinal de autodiagnóstico. O sensor de chama está enviando de volta um pulso ID; isso faz parte do sistema de autodiagnóstico. Quando a chama está presente, o LED verde pisca a uma taxa proporcional ao sinal de chama, exceto quando os pulsos são interrompidos uma vez por segundo com o pulso de chegada de autodiagnóstico no sensor de chama. A taxa de pulsação do LED verde pode ser usada para o posicionamento do sensor de chama.

OBSERVAÇÃO: Os indicadores LED são fornecidos apenas para o alinhamento e só solução de problemas. Reinstale a tampa com a gaxeta corretamente em todos os momentos, e garanta que o acoplamento do conector está bem apertado. Esta gaxeta e a tampa devem ser instaladas corretamente para manter a certificação IP67.

Montagem e Posicionamento do Sensor de Chama

A montagem é um NPT (F) de 1 pol. com uma conexão de ar de purga NPT (F) de 1/4 pol. para todos os modelos de sensor de chama. Antes de começar a instalação, determine a melhor localização para a montagem do sensor de chama com base nos seguintes fatores:

Base de Montagem do sensor de chama

Os sensores de chama S70X são seguros firmemente no lugar em suas bases de montagem por duas travas de aço banhadas a zinco. O sensor de chama da S80X é preso em sua base de montagem por uma trava de atrito twist-lock. Consulte a Seção ACESSÓRIOS para obter números de peças.

Pressão

A lente do sensor de chama S70X suporta 50 psi (3,4 bar), enquanto a lente do S80X suporta 90 psi (6,2 bar), desde que o anel de compressão no adaptador de ar de purga esteja apertado corretamente. Se o conjunto da lente é exposto a altas pressões por meio do tubo de visualização, então uma unidade de isolamento deve ser utilizada. Unidades de isolamento da Honeywell com entrada de ar de purga estão disponíveis como acessórios; ISO-UNIT, ISO-UNITSS e ISO-UNITHPGT. Cada um possui uma janela de quartzo, duas conexões NPTF de 1 pol. e uma porta de purga NPTF de 1/2 pol.

Temperatura

A temperatura do invólucro do sensor de chama não deve ser superior a 85°C (185°F), enquanto a base de montagem Delrin padrão não deve ser superior a 82°C (180°F) em serviço contínuo. Cuidados devem ser tomados para garantir que as temperaturas do invólucro e da base de montagem não excedam esses valores.

O ar de purga ajudará a reduzir o calor conduzido pelo tubo de vista e a flange. Uma base de montagem de Ultem para isolamento térmico do sensor de chama para os modelos S70X/S80X (números de peça 700UA e 800UA) com uma

classificação de serviço contínuo de 160°C (320°F), bem como um niple Ultem NPTM de 1/2 pol. (número de peça R-518-13) ou um adaptador acoplador de trava de Ultem (R-518-PT13 ou R-518-PT13L) para reduzir o calor conduzido, porém a radiação direta pode fazer com que a temperatura do invólucro ultrapasse esses limites. Se o calor ambiente (radiação direta) é excessivo, então um recipiente de resfriamento com refrigerador de vórtex ou uma extensão de fibra óptica deve ser considerado. A extensão usa um conjunto de cabo de fibra óptica entre o tubo de vista e o sensor de chama, permitindo que o sensor de chama seja colocado mais distante da fonte de calor. Consulte o Manual de Fibra Ótica 69-2683 ou entre em contato com o fabricante para obter ajuda com a seleção de fibras óticas e preços.

Ar de Purga

Use uma linha de alimentação de ar flexível, para permitir o reposicionamento do sensor de chama e o tubo de visualização até que uma posição final e permanente seja definida. Um fluxo contínuo de ar deve ser mantido, para reduzir o calor por condução e para manter o monitor e a lente do sensor de chama livres de sujeira e detritos. O ar necessário é de cerca de 5 SCFM (0,13 Nm³/min) fornecido em 25 mm (1 pol.), acima da pressão máxima no sistema como medida na seção "Y" ou "T" da conexão do ar de purga para sensor de chama. O suprimento de ar deve ser limpo, livre de óleos e água e preferencialmente frio. Para isolar eletricamente o sensor de chama, a linha de ar de purga deve ser instalada utilizando um material isolante, como um tubo de borracha entre a linha do ar de purga e o sensor de chama.

Vibração

Não instale o sensor de chamas em um local sujeito a altas vibrações. Forneça uma montagem antivibração, se vibrações excessivas estiverem presentes.

Folga e Distâncias

Certifique-se de que haverá espaço suficiente para retirar o sensor de chamas para manutenção.

Montagem do Sensor de Chama

A Honeywell oferece uma gama de rótulas de ajuste, de montagem em flange ou rosca, para uso com tubos de visualização ou montagem direta na janela de visualização. Consulte "Acessórios" na página 9 ou o site da Honeywell para obter mais detalhes.

Posicionamento do Sensor de Chama

A posição de observação do sensor de chama deve ser paralela à linha de centro do queimador na direção da chama. Se usado, o tubo do sensor deve ser montado o mais próximo possível da linha central, para que o sensor aponte ao longo da chama, em vez de cruzar a chama. Esse procedimento garantirá a continuidade da detecção da chama de acordo com as condições de mudanças de carga. Consulte as Figuras 16, 17 e 18.

Utilizar uma mira ou o tubo de visualização apontado para a "raiz" da chama (onde o ar turbulento de combustão se mistura com a chama) é um bom ponto de partida para otimizar o posicionamento. Quando possível, usar uma rótula de ajuste para focar no sinal mais alto deverá garantir máximo desempenho. O posicionamento ideal do sensor é paralelo à

linha de centro do queimador. O uso de uma rótula de ajuste permite o ajuste do posicionamento, quando for conveniente ser utilizado.

Exemplos de instalação do sensor de chamas com/sem uma rótula de ajuste estão representados nas Fig. 14 e Fig. 15. Se estiver usando um tubo de visualização, seu diâmetro deve ser grande o suficiente para permitir um campo de visão razoável e permitir o ajuste do ângulo da rótula de ajuste.

Em alguns casos, pode ser benéfica a utilização de dois conjuntos de setpoints para Flame On, Flame Off e ganho. A capacidade de dois canais (configurações primária e alternativa para sensores de chama) só é possível com uso de processadores de sinal P531 ou P532; não é possível utilizar nos processadores de sinal 700ACSP ou 700DCSP. A mudança do Canal A para o Canal B pode ser implementada com o sistema de controle do queimador. Consulte o manual do usuário 66-2068, do P531/P532, para obter mais informações sobre switch-over (mudança entre canais) e uso de canais A e B com ajustes independentes.

ACESSÓRIOS

Discos de Orifício (kit M-702-6) - Usados para reduzir o brilho do sinal nos casos em que o brilho do sinal é demasiadamente forte. Localizado imediatamente em frente da lente, reduzirá a quantidade de sinal para o sensor. O pacote inclui discos de orifício e anéis de fixação. Discos de orifício são fornecidos com furos de 3/8, 1/4, 3/16 e 1/8 polegadas de diâmetro. Entre em contato com o fabricante para obter orientação de uso de discos de orifício.

Niple de Isolamento (R-518-13) - Niple Ultem de isolamento elétrico e térmico de 1/2 pol. NPT tipicamente utilizado em conjunto com uma rótula de ajuste ou unidade de isolamento.

Base de montagem isolante para SC (700UA, 800UA) - Base de montagem com isolamento térmico e elétrico de Ultem NPTF de 1/2 pol., utilizado no lugar da base de montagem Delrin fornecida. Conexão de ar de purga NPTF de 1/4 pol. Tipicamente utilizado em conjunto com a rótula de ajuste. Classificado para serviço contínuo até 160°C (320°F).

Rótulas de ajuste, pequenas (700-1, 700-2, 700-3) - Todas têm conexões para sensor de chama NPTM de 1/2 pol. em uma extremidade e diferentes conexões de processo, incluindo NPTF de 1 pol., NPTF de 1/2 pol. e 1/2 pol. com flange.

Rótulas de ajuste, grandes (M-701-1, M-701-2, M-701-2-FLG, M-701-2-SS, M-701-3, M-701-3P, M-701-4) - Todas têm conexões para o sensor de chama NPTF de 1 pol. em uma extremidade, com conexões variadas, incluindo tubo deslizante de 2 de pol., NPTF de 2 pol. com flange, NPTF de 2 pol. em aço inoxidável, 4,5 pol. com flange de 3 parafusos, NPTF de 3 pol. e com flange de 2 parafusos. Acessórios apropriados devem ser usados para adaptar as conexões de processo de sensor de chama NPTF de 1/2 pol.

Acopladores de isolamento com trava (R-518-PT13 e R-518-PT13L) - Adaptadores NPTM Ultem de 1/2 pol. isolam o sensor de chama elétrica e termicamente e são usados em conjunto com o acoplador com trava R-518-CL13-HTG. O R-518-PT13L possui lentes de quartzo.

Acoplador com trava (R-518-CL13-HTG) - Usado com acopladores com trava isolante R-518-PT13 e R-518-PT13L. A extremidade da conexão de processo é uma NPFT de 1/2 pol.

Conector
ASY786 --> Conector montável de substituição.

Cabos e Conectores - Sensores de Chama S70X/S80X
ASY785 --> Cabo C330S de 50 pés com conector pré-montado ASY786.
ASY785-200 --> Cabo C330S de 200 pés com conector pré-montado ASY786.

Cabo (C330S) - 4 condutores com drenagem, blindagem de malha/trançada. Vendido por metro.

Unidades de Isolamento (ISO-UNIT, ISO-UNITSS, ISO-UNITHPGT) - Todas possuem conexões NPTF de 1 pol. com portas de purga NPTF de 1/2 pol. e janela de quartzo. Base de alumínio anodizada preta ou aço inoxidável. A versão HPGT possui uma janela de quartzo de 1/2 pol. de espessura para altas pressões. Acessórios apropriados devem ser usados para adaptar as conexões de processo de sensor de chama NPTF de 1/2 pol.

Recipiente de resfriamento de ar (700ACC, 800ACC) - Possui uma entrada de ar lateral. Usado com refrigeradores de vórtex. Modelos S80X podem ser usados com o 700ACC se o adaptador 800ACC-RING for utilizado.

Refrigeradores de Vórtex (M3204, M3208, M3210, M4025) - Usado com recipiente de resfriamento de ar. Entre em contato com o seu distribuidor ou fabricante para obter ajuda com a seleção dos acessórios.

Prendedor de cabos (800CR, 700CRLT) - Versões de prendedor de cabos para S80X e S70X. O 800CR inclui o 700CRLT e o adaptador 800ACC-RING.

Anel adaptador S80X (800ACC-RING) - Anel adaptador para sensores de chama S80X encaixarem na camisa de refrigeração 700ACC e no prendedor de cabos 700CRLT.

Bases de montagem (700DA, 700DA-1, 800DA) - Adaptador de substituição Delrin/bases de montagem para sensores de chama S70X e S80X. Todos possuem conexões de ar de purga NPTF de 1/4 pol. Classificado para serviço contínuo até 82°C (180°F). A 700DA e a 800DA têm conexões de processo NPTF de 1/2 pol. enquanto a 700DA-1 tem uma conexão de processo NPTF de 1 pol. Para mais acessórios NPT de 1 pol. que podem ser utilizados com s 700DA-1, consulte o manual 66-2064 do S55XBE.

Conversor USB para RS422/RS485 (COMMODO) - Conversor de protocolo para uso com comunicação externa com um computador.

Compatibilidade de Sistema de Fibra Óptica - Os sensores de chama S70X e S80X são compatíveis com os produtos de extensão de fibra óptica Honeywell FASA. Os adaptadores e S700FOAD S800FOAD podem ser utilizados, dependendo da aplicação. Entre em contato com seu distribuidor ou com o fabricante para obter ajuda com a seleção de fibra óptica e preços.

OPERAÇÃO

Detector IR

Os modelos de sensor de chama S702 e S802 usam um fotodiodo de Germânio, que responde a radiação IR/tremulação da chama. A tremulação da chama é causada pela combustão ou por ar injetado na chama. O ar de combustão pode ser misturado com o combustível (carvão pulverizado) ou pode ser introduzido separadamente. Em ambos os casos, o ar forçado é introduzido de maneira a auxiliar o processo de combustão. Este ar é normalmente forçado de modo turbulento, fazendo-o girar com pás de rotação localizadas no cano do queimador. A tremulação da chama é criada quando o ar turbulento se mistura com a chama. Ela é composta de frequências aleatórias, e a quantidade de tremulação de alta frequência depende do combustível e do queimador.

Os modelos de sensor de chama S702, S802 e S702PF respondem a frequências de tremulação acima de 33Hz. Todas frequências abaixo dos filtros são ignoradas; portanto é importante o posicionamento do sensor de chama na parte altamente turbulenta da chama, que contém as frequências mais altas. A localização de frequências mais altas pode ser prevista no queimador por meio da análise de onde o ar turbulento entra na chama. O posicionamento ideal do sensor é paralelo à linha de centro do queimador (Fig. 16). É recomendado o uso de uma rótula de ajuste para o posicionamento do sensor.

Detector UV

Os modelos de sensor de chama S706, S806 e S706PF usam o sensor UVTron, com uma resposta espectral de 185-260nm e resposta máxima de 210nm à radiação ultravioleta. A saída do detector é um fluxo de impulsos espaçados aleatoriamente cuja média é proporcional à radiação UV presente na chama. A radiação UV é resultado direto do processo de combustão quando o oxigênio combina com os hidrocarbonetos do combustível na parte azul da chama. A parte amarela da chama e a radiação de fundo do refratário quente não emitem radiação UV.

A faixa espectral do tubo UV é ideal para discriminar entre a chama e o brilho refratário. Como qualquer radiação UV, ela pode ser absorvida ou mascarada por combustível não queimado, fumaça, névoa de óleo, sujeira, poeira e outras impurezas no combustível. Recomenda-se cautela ao escolher o sensor adequado para o combustível utilizado. Além disso, os contaminantes que mascaram o UV podem ser diluídos por meio de um forte fluxo de ar e por meio do tubo de vista para limpar o caminho de visualização por meio do material atenuador. Consulte "Ar de Purga" na página 8.

Também pode ser interessante apontar o detector para uma área que contenha menos agentes mascarantes, como a proximidade do bico do queimador ou próximo à entrada do ar de combustão. Aumentar a área de visão do detector encurtando o tubo de visualização ou aumentando diâmetro desse tubo também pode reduzir os efeitos de atenuação dos agentes mascarantes.

Em geral, os sensores de chama UV funcionarão bem em chamas de gás natural e óleo leve. A posição de observação das chamas de óleo e de gás deve ser paralela ao eixo do queimador e apontado para a raiz da chama, assim como

com o detector de IR. (Consulte a seção anterior "Detector IR".) A intensidade mais elevada UV ocorre perto da origem da chama (Fig. 17). Além disso, a zona de maior intensidade da radiação UV não se sobrepõe às zonas adjacentes ou opostas de outros queimadores para que, com a posição ajustada, a discriminação pode ser alcançada.

Com queimadores a gás de baixa emissão de NOx, a radiação UV é geralmente muito menor em intensidade e menos dissipada. Leituras relativamente elevadas podem ser obtidas a partir de todo o forno se muitos queimadores estiverem ligados. Isso é particularmente verdadeiro quando a recirculação do gás de combustão é feita. Talvez haja, no entanto, um sinal relativamente mais forte próximo à "raiz" da chama e o ponto mais intenso deve ser localizado durante o processo de posicionamento. A "raiz", ou intensa mancha, pode ser mais distante com o queimador de gás padrão; dessa forma, é fundamental que uma rótula de ajuste seja utilizada para fazer ajustes de posicionamento.

Outro fator que precisa ser considerado durante o posicionamento do sensor é a condição de carga da caldeira. As chamas de um queimador podem ser radicalmente diferentes com diferentes cargas. Essa é uma das razões para a escolha de um posicionamento ideal inicialmente, que minimizará a mudança de sinal devido às mudanças de cargas.

Autodiagnóstico

O circuito de autodiagnóstico protege contra falhas internas de componentes. Existem várias tarefas que exigem interação entre os monitores e o processador de sinais. Se todas essas interações não ocorrerem adequadamente, o sensor de chama não enviará pulsos de volta ao processador de sinal e o relé de chama será aberto.

Ajuste do Posicionamento e Ganho do SC

OBSERVAÇÃO: O ajuste dos parâmetros do sensor de chamas não pode ser feito a não ser que o sensor de chamas esteja ligado e em comunicação com o processador de sinal.

Os sensores de chama devem ser devidamente posicionados antes de os setpoints serem ajustados. O ajuste pode ser facilitado por uma rótula de ajuste de 1/2 pol., que a Honeywell fornece se não houver nenhuma disponível (consulte "Acessórios" na página 9).

Enquanto o queimador estiver funcionando, varie o ângulo de visão, enquanto observa o LED verde no conector na parte traseira do sensor de chama. Ajuste o ângulo de visão para a taxa máxima de pulso e, em seguida, bloqueie a rótula de ajuste para manter essa configuração. Se a taxa de pulso do LED verde for muito alta ou muito baixa, veja os dois parágrafos abaixo. A configuração mecânica bloqueada ainda deverá ser correta quando os sensores de chama Modelo 700 são trocados, porque dentro de cada Modelo 700 o eixo óptico está alinhado com o eixo mecânico em $\pm 1/4$ de grau. Além disso, a leitura não deve mudar quando um sensor de chama for girado na rótula.

Para os ajustes de posicionamento mencionados acima funcionarem corretamente, a taxa do LED verde no conector

na parte traseira do sensor de chama deve ser razoável. Para versões -PF (conexão em tubo), não há LEDs. Logo, o instalador deve observar o sinal de chama no processador de sinal.

Uma taxa de medição de 16 a 20 é recomendada para uma operação adequada. Se a medição exibida estiver acima de 25, os pulsos começam a se misturar, fazendo com que mudanças na taxa de pulso sejam difíceis de observar.

Se a medição apresentada for inferior a 8 ou 10, será difícil maximizar a medição ajustando a mira do sensor de chama, uma vez que os pulsos de ocorrem em uma frequência não adequada. Nesse caso, deve-se aumentar o ganho. Se o ganho for ajustado para o máximo e a taxa de medição continuar abaixo de 8 ou 10, o sistema ainda pode funcionar de modo confiável desde que a taxa de medição caia significativamente quando a chama é removida. No entanto, a configuração deve ser revista para um posicionamento adequado do sensor de chama para garantir que este está otimizado.

Orifício

Discos de orifícios têm sido utilizados em aplicações com sensores de chama mais antigos, que não têm ganho ajustável, para reduzir o brilho extremo de determinadas chamas de queimadores. O kit de discos de orifício tem um número de peça M-702-6. Discos de orifício são fornecidos com furos de 3/8, 1/4, 3/16 e 1/8 polegadas de diâmetro. Entre em contato com o fabricante para obter orientação de uso de discos de orifício.

Se a medição exibida for igual a 25 ou superior quando o ganho é definido como 1, um disco de orifício inserido na extremidade traseira da base de montagem pode ser utilizado.

Escolha um disco que exiba uma leitura de 12 a 24 com uma baixa taxa de fogo. Os discos têm uma ampla gama de tamanhos de orifícios; cada mudança de tamanho resultante em uma mudança de 2:1 na medição exibida.

Interface de Usuário do Processador de Sinal

Os processadores de sinal 700ACSP e 700DCSP têm uma interface de usuário que inclui quatro luzes, um visor de dois dígitos e doze botões de operação e programação. Cada botão tem pelo menos um propósito específico.

Para entrar em um menu, pressione e segure o botão desejado por 2 segundos. Ajustes no valor nominal podem ser feitas por meio dos botões de seta INCREASE ou DECREASE. Para salvar a nova configuração, pressione o botão STORE até "--" ser exibido, indicando que o valor foi aceito.

Se nenhuma atividade ocorrer durante um período de quatro segundos enquanto o valor do menu é exibido, o visor retornará à exibição de operação.

Para sair de um menu a qualquer momento sem salvar as alterações, simplesmente pressione o botão RESET/rE.

A seguir, a descrição das funções dos indicadores LED, do visor e dos botões:

Indicadores LED e Visor do Painel Frontal

- **LED ON SEQ/AUTO SET (verde):**
 - Usado em conjunção com os botões BNR-ON SEQ START/ END e BNR-OFF SEQ START/END durante o processo de configuração de automação
- **LED OFF SEQ/FAULT (verde):**
 - Usado em conjunto com os botões BNR-ON SEQ START/ END e BNR-OFF SEQ START/END durante o processo de configuração de automação
 - Indica uma condição de falha
- **Visor de dois dígitos**
 - Quando no modo de operação, o visor indica o sinal de chama atual, que varia entre 00 e 29.
 - Ao ligar o equipamento, indica se um sensor de chama IR ou UV está ligado e o ajuste de ganho selecionado; como r7 (IR com ganho de 7) ou U5 (UV com ganho de 5).
 - Indica vários caracteres durante o processo de configuração automática, e se o painel está bloqueado.
- **LED FLAME SIG (amarelo):**
 - Quando a chama está presente, o LED pisca a uma taxa proporcional ao sinal de chama, exceto quando os pulsos são interrompidos uma vez por segundo pelo autodiagnóstico do sensor de chama.
- **LED FLAME ON (vermelho):**
 - Quando o sinal de chama está acima do valor selecionado, o LED será iluminado e o relé de chama será energizado.

Funções dos Botões

- **Botão RELAY ON SETPOINT:**
 - Permite que o usuário selecione o valor limite do Flame on. Quando o sinal de chama está acima do valor selecionado, o relé de chama será energizado. Usado em conjunto com os botões INCREASE, DECREASE e STORE (intervalo de 00 a 29).
- **Botão LOAD FACTORY DEFAULTS:**
 - Usado para restaurar todas as configurações para os valores padrão de fábrica.
- **Botão ↑ INCREASE:**
 - Usado para aumentar o valor de parâmetro quando estiver no modo de programação.
- **Botão RATIO (%) RELAY OFF/RELAY ON:**
 - Usado juntamente com os botões INCREASE, DECREASE e STORE para definir o setpoint do RELAY OFF em um percentual do setpoint do RELAY ON. Ajustável de 20% a 80%.
- **Botão STORE:**
 - Armazena novos valores de parâmetro durante a programação.
 - Após alterações são feitas, "--" será exibido indicando que os novos valores são aceitos e armazenados.
- **Botão ↓ DECREASE:**
 - Usado para diminuir o valor de parâmetro quando estiver no modo de programação.
- **Botão BNR-ON SEQ START/END:**
 - Usado para iniciar e prosseguir com a sequência de configuração automática de parâmetros, que inclui as configurações de RELAY ON, RATIO (%) e GAIN (o FFRT, mA e endereço de comunicação devem ser definidos manualmente).
- **Botão BNR-OFF SEQ START/END:**
 - Usado durante a sequência de configuração da parâmetros automáticos.

- **Botão ACCEPT RATIO/SET GAIN:**
 - Permite o usuário definir o ganho do sensor de chama em conjunção com os botões INCREASE, DECREASE e STORE.
 - Usado em conjunto com os botões BNR-ON SEQ START/ END e BNR-OFF SEQ START/END durante o processo de configuração de automação.
- **Botão FFRT 1/2/3 SEC OPTION:**
 - Permite o usuário definir o tempo do FFRT em conjunção com os botões INCREASE, DECREASE e STORE.
- **Botão 0-20MA 4-20MA OPTION:**
 - Usado em conjunto com os botões INCREASE, DECREASE e STORE para selecionar a saída mA proporcional para o sinal da chama.
- **Botão RESET rE:**
 - Reinicia uma condição de bloqueio.
 - Também usado para sair de um menu enquanto estiver programando.
 - Permite o usuário definir endereço Modbus em conjunção com os botões INCREASE, DECREASE e STORE.

Configuração Manual de Setpoints

O teclado do processador de sinal é usado para ajustar as opções de setpoints de IR/UV GAIN, RELAY ON, RATIO % (Relay Off), FFRT e saída mA. A seção seguinte descreve esse processo. Consulte também as Fig. 23, 24, 25, 26 e 27.

Ajustando o Ganho do Sensor de Chama

O ganho de IR e UV dos sensores de chama podem ser ajustados. Além da informação nesta seção, consulte a Fig. 27. Ao ligar, os processadores de sinal 700 exibem códigos que mostram ao operador qual o tipo de sensor de chama e qual ganho está sendo usado. Valores padrão são "r5 para o sensor de chama IR e "u5" para o sensor de chama UV. O "r" ou o "u" denotam sensores de chama IR ou UV, respectivamente, enquanto o dígito numérico indica a atual configuração de ganho. O ganho pode ser ajustado de 1 a 9, sendo o ganho de 5 o ganho padrão de fábrica.

Para mudar o ganho, pressione e segure o botão SET GAIN por dois segundos até o valor atual ser exibido. Use os botões INCREASE e DECREASE para mudar a configuração para o necessário enquanto o valor estiver sendo exibido. Para salvar a nova configuração, pressione o botão STORE até "- -" ser exibido, indicando que o valor foi aceito.

Se nenhuma atividade ocorrer em um período de quatro segundos, enquanto o valor estiver sendo exibido, o visor retornará ao modo de operação sem salvar o novo setpoint.

Para sair do menu a qualquer momento sem salvar as alterações, basta pressionar o botão RESET/rE.

O ganho é ativo; mudanças entram em vigor imediatamente, mas, se o valor do ganho exibido não for armazenado (pressionando STORE), e nenhum outro botão for pressionado, o processador retorna à configuração anterior depois de quatro segundos.

Relay On Setpoint

Os dois dígitos numéricos no processador de sinal Modelo 700 normalmente exibem a medição durante sua operação; ou seja, o número de pulsos que chegam entre os pulsos de autodiagnóstico. Essa medição varia entre 00 e 29.

Consulte a Fig. 23 para um fluxograma de configuração do setpoint de Relay On. Aperte e segure a tecla RELAY ON SETPOINT por dois segundos para acessar esse setpoint. O valor RELAY ON SET POINT será exibido. Se nenhuma outra tecla for pressionada, esta exibição desaparecerá em quatro segundos e a medição de chama será novamente exibida. Se a tecla RESET for pressionada, o visor retornará imediatamente à medição.

Enquanto o RELAY ON SET POINT é exibido, é possível aumentar ou diminuir a configuração usando teclas de seta INCREASE e DECREASE. Para salvar a nova configuração, pressione o botão STORE até "- -" ser exibido, indicando que o valor foi aceito.

Para sair do menu a qualquer momento, aperte o botão RESET/rE ou espere 4 segundos até o visor mostrar o valor da medição. Para prolongar o tempo de exibição, pressione o botão RELAY ON SETPOINT novamente; a exibição expirará quatro segundos após a tecla ser liberada se outros botões não forem pressionados.

O valor exibido do RELAY ON SET POINT é imediato; ou seja, se o relé estiver desligado e o valor ajustado cair abaixo da medição atual de sinal de chama, o relé será ligado imediatamente (configurações FFRT são ignoradas). Esta resposta imediata pode ser observada, se a medição for baixa e o RELAY ON SET POINT estiver definido acima dela; se o RELAY ON SET POINT for então ajustado para o nível da medição, o relé FLAME ON será energizado.

Ratio (%) Relay Off/Relay On Setpoint

Para um fluxograma do processo de setpoint, confira a Fig. 24. A tecla marcada como RATIO (%) RELAY OFF/RELAY ON é usada para definir o RELAY OFF SET POINT a um percentual do RELAY ON SET POINT. Esta percentagem pode ser ajustável de 20% a 80%. Por exemplo, se o relé ON SET POINT está definido para 16 e o RATIO (%) é definido como 50% (valor padrão de fábrica), o relé será energizado, se a medição exibida subir para 16 ou mais e desenergizar, quando a medição cair para 08 ou menos por um a três segundos, dependendo da configuração FFRT (Tempo de Resposta de Falha de Chama). O ajuste da configuração de RATIO é imediato. Ajustes farão com que o relé de chama desenergize imediatamente, ignorando as definições FFRT.

Para acessar esse setpoint, pressione e segure o botão ACCEPT RATIO/ SET GAIN por 2 segundos até o valor atual ser exibido. Enquanto o valor é exibido, ajustes podem ser feitos por meio dos botões de seta INCREASE ou DECREASE. Para salvar a nova configuração, pressione o botão STORE até "- -" ser exibido, indicando que o valor foi aceito.

Se nenhuma atividade ocorrer num período de quatro segundos enquanto o valor estiver sendo exibido, o valor de RATIO desaparecerá e o antigo setpoint voltará a ser a padrão.

Para sair do menu a qualquer momento sem salvar as alterações, basta pressionar o botão RESET/rE.

Configurando FFRT (Tempo de Resposta de Falha da Chama)

Para acessar o setpoint FFRT, pressione e segure o botão FFRT 1/2/3 SEC OPTION por 2 segundos até o valor atual ser exibido. Confira a Fig. 25 para o fluxograma de configuração. O FFRT pode ser alterado para 1, 2 ou 3 segundos. Enquanto o valor é exibido, ajustes podem ser feitos por meio dos botões de seta INCREASE ou DECREASE. Para salvar a nova configuração, pressione o botão STORE até "- -" ser exibido, indicando que o valor foi aceito.

As mudanças no FFRT não são imediatas; somente terão efeito se o botão STORE for pressionado. Os valores FFRT não têm relação com os valores RELAY ON SETPOINT e RATIO (%)/RELAY OFF. Portanto, durante a configuração automática, se o AUTO SET LED estiver ligado, a confirmação não é necessária para alterar a configuração FFRT.

Se nenhuma atividade ocorrer num período de quatro segundos enquanto o valor estiver sendo exibido, o valor de FFRT e o antigo setpoint voltarão a ser padrão.

Para sair do menu a qualquer momento sem salvar as alterações, basta pressionar o botão RESET/rE.

Opção de Saída 0/4-20mA

Uma corrente de saída analógica está disponível para operar um medidor remoto ou outro aparelho. A resistência de carga não deve ultrapassar 360 Ohms para os processadores de sinal Modelo 700. A resistência pode ser escolhida para obter a variação da tensão desejada. Por exemplo, se 2V for escolhido para a saída de 20 mA, um resistor de 100 Ohm deve ser usado. A Fig. 26 contém um fluxograma para a configuração de saída de mA.

As opções de saída de corrente análogas são de 0 a 20 miliampères ou de 4 a 20 miliampères. Seleção de intervalo aplicável é feito ao pressionar e segurar o botão 0-20 MA/4-20 MA OPTION até que o valor atual é mostrado. 02 denota a seleção 0-20mA e 42 denota a seleção 4-20mA (valor padrão). Enquanto o valor é exibido, este pode ser alterado por meio dos botões de seta INCREASE ou DECREASE. Para salvar a nova configuração, pressione o botão STORE até "- -" ser exibido, indicando que o valor foi aceito.

A confirmação não é requisitada, se a configuração 0-20/4-20 for alterada quando o AUTOSSET LED estiver ligado.

A opção de saída 0/4-20mA é imediata; o intervalo de operação é alterado assim que a seleção exibida for alterada. No entanto, o valor ainda deve ser salvo por meio do botão STORE para ser salvo na EEPROM do processador de sinal.

Para sair do menu a qualquer momento sem salvar as alterações, simplesmente pressione o botão RESET/rE ou espere quatro segundos.

A saída de corrente analógica é dimensionada de acordo com a configuração do RELAY ON. Ela será dimensionada de modo que, se a medição que entra está em uma taxa igual à configuração RELAY ON, a corrente de saída é de aproximadamente 13 MA quando o intervalo selecionado é de 0-20 MA, e cerca de 14,6 MA quando o intervalo selecionado é 4-20 MA.

Observe que o nível máximo atual para saída de corrente é de 19,8 MA.

Configuração Automática de Setpoints

Com esse recurso, os processadores de sinal Modelo 700 definem automaticamente o RELAY ON SET POINT, o RATIO % (Relay Off) e o UV/IR GAIN. Cálculos para essas configurações são realizados no processador de sinal com o operador ativando as sequências de BURNER ON e BURNER OFF no sistema. Fig. 20, 21 e 22 fluxograma da sequência de configuração automática.

O FFRT (tempo de resposta de falha de chama) e a opção de saída 0/4-20mA devem ser configurados manualmente após o processo de configuração automática estiver completo. Consulte a seção de Ajuste Manual de Setpoints e as Fig. 25 e 26 para obter mais detalhes sobre como configurar estes 2 parâmetros.

Antes de iniciar a sequência de configuração automática, ajuste o RELAY ON SET POINT energizar o relé FLAME ON.

Pressione a tecla BNR-ON SEQ START/END por dois segundos. Se o relé FLAME ON for desenergizado, o visor exibirá "bo" (burner off - queimador desligado); pressione RESET para limpar o visor. Se o relé FLAME ON for energizado, o ON SEQ LED começará a piscar lentamente e o visor numérico iniciará a contagem regressiva desde 59, enquanto o processador recebe dados de uma leitura por segundo. O relé FLAME ON permanecerá energizado se a chama estiver presente, de acordo com as configurações vigentes, até que novos valores válidos sejam obtidos. Para terminar a amostragem de dados, pressione o mesmo botão, BNR-ON SEQ START/END, mais uma vez, mas tenha garantia de que um número adequado de amostras de dados tenha sido obtido. Pelo menos 30 segundos de amostragem de dados BNR-ON são recomendados; 10 segundos é o mínimo. O software não responderá a um segundo toque no botão pelos primeiros 10 segundos. RESET também pode ser pressionado enquanto a amostragem de dados estiver ocorrendo; o processo de amostragem de dados será cancelado e os valores antigos permanecerão em vigor.

Após a amostragem de dados BNR-ON estar concluída, o OFF SEQ LED piscará. Desligue o queimador e pressione imediatamente a tecla BNR-OFF SEQ START/END (um segundo toque não é necessário). O timer exibido faz a contagem regressiva a partir de 29. Este processo pode ser interrompido, mas pelo menos 15 segundos de amostragem de dados BNROFF são recomendados. O processo de amostragem de dados pode ser interrompido pressionando RESET e, nesse caso, os dados de ambos BNR-ON e OFF BNR serão descartados e os valores anteriores permanecerão em vigor.

Se os dados estão bons, isto é, a proporção calculada é de 71% ou menos, quando a amostragem de dados BNR-OFF estiver concluída, o visor mostra a relação em porcentagem para um segundo, seguido por "- -" para indicar uma configuração bem-sucedida. O processador de sinal, em seguida, liga o AUTO SET LED para verificar se os valores armazenados internamente foram obtidos a partir da sequência de amostragem de dados BNR-ON/BNR-OFF.

Se os dados recebidos são marginais, com a relação computada variando de 72% a 80%, o mostrador alterna entre "AC" e a proporção calculada, por exemplo, "AC" e "75". Pressione ou a tecla ACCEPT RATIO ou a RESET. Se ACCEPT RATIO é pressionado, o visor responde com "- -", a

proporção é armazenada, e o AUTO SET LED é ligado. Se RESET é pressionado, o visor retorna para a medição, os dois AUTO SETUP LEDs são desligados e os setpoints anteriores são usados.

Se a proporção calculada como resultado da amostragem de dados BNR-ON e BNR-OFF superior a 80%, o display mostrará "UA" (inaceitável), alternando com a proporção inaceitável. Por exemplo, se a relação computada é de 93%, a exibição poderia alternar entre "UA" e "93". RESET deve ser pressionada para limpar esta informação; os valores antigos para RELAY ON (relé on) e RATIO (proporção) permanecerão em vigor.

Os valores podem ser piores do que apenas inaceitáveis. Se o relé de chama desenergizar ao ler os valores BNR-ON, o display mostrará "bo", o recebimento de dados será abortado. Outras falhas, como um sinal de chama BNR-ON, que é muito baixo para ser usado, ou leituras BNR-OFF, que estão muito perto de leituras BNR-ON, podem resultar na exibição "re". O RESET deverá então ser pressionado.

O processador de sinal também ajusta o ganho do sensor de chama durante a sequência de amostragem BNR-ON e BNR-OFF. Normalmente, após a sequência, a exibição deve mostrar cerca de 20, porque o ganho foi ajustado para resultar nesta leitura. Se for menor do que cerca de 18, o ganho pode ter sido definido como 9; se for mais do que cerca de 22, o ganho pode ter sido definido como 1.

Uma vez que os valores foram armazenados por meio desta sequência, é possível verificar o RELAY ON SET POINT, o RATIO ou o GAIN pressionando a tecla respectiva por dois segundos. No entanto, se você tentar alterar esses valores pressionando as teclas INCREASE ou DECREASE, o visor mostrará "CF" (confirmar) e o AUTO SET LED piscará rapidamente. Para confirmar a mudança desejada, pressione a tecla RELAY ON SET-POINT, a tecla RATIO ou a tecla SET GAIN uma segunda vez. Para interromper todas as alterações, pressione a tecla RESET ou simplesmente espere quatro segundos para o tempo limite ser alcançado.

O usuário confirma que deseja fazer mudanças, e os valores mudarão quando as teclas INCREASE e DECREASE forem usadas. Enquanto isso, o AUTO SET LED estará piscando. O AUTO SET LED desenergizará somente se os valores alterados forem armazenados; se os valores alterados não forem armazenados, o AUTO SET LED será aceso e os valores antigos continuarão em vigor.

Se os valores forem obtidos automaticamente, ou seja, se o AUTO SET LED estiver ligado e a tecla BNR-ON SEQ START/END for pressionada, o visor também mostrará "CF". Se tecla BNR-ON SEQ START/END for pressionada novamente, o processador de sinal começará a sequência de amostragem de dados BNR-ON.

Carregando Padrões de Fábrica

A Fig. 19 mostra o fluxograma para restaurar os valores padrão. Pressionar e segurar o botão LOAD FACTORY DEFAULTS resultará nos valores apresentados na Tabela 3 a serem carregados e armazenados no EEPROM. Durante a sequência de configuração automática, se o AUTO SET LED estiver ligado quando a chave LOAD FACTORY DEFAULTS for pressionada, "CF" será exibido. Pressione a tecla LOAD FACTORY DEFAULTS novamente para confirmar a alteração ou pressione RESET para cancelar a alteração. Se os padrões de fábrica forem carregados, o AUTO SET LED será desligado.

Tabela 3. Configurações Padrão do S70X/S80X

Relay on setpoint	16
Ratio (%) relay off/relay on	50%
FFRT (Tempo de Resposta de Falha de Chama)	1 seg
OPÇÃO 0-20mA 4-20mA	4-20mA
Ganho UV/IR	5
Endereço de comunicação	0

Bloqueio de Painel

Um padrão de teclas pressionadas resultará no bloqueio do painel para bloquear qualquer alteração nos valores armazenados no processador de sinal. Com o painel bloqueado, os valores podem ser examinados, mas o processador de sinal não responderá à tecla STORE.

O painel deve ser bloqueado após os setpoints serem definidos. Entre em contato com a fábrica para obter o procedimento para bloquear ou desbloquear o painel.

COMUNICAÇÃO MODBUS

Os processadores de sinal 700ACSP e 700DCSP são capazes de se comunicar com o software Flametools executado em um PC Microsoft® Windows®, na tela sensível a toque S7999D ou outro dispositivo que suporte o protocolo Modbus RTU. Ambos Flametools e S7999D incluem interfaces gráficas. Outros dispositivos exigirão que o usuário gere uma interface. Os dados transmitidos de e para o 700ACSP/700DCSP são por meio de dois pares torcidos, que são ativados e recebidos diferencialmente de acordo com a norma RS-422. A Honeywell oferece um conversor RS485/422 para USB para usar em conjunto com os processadores de sinal 700ACSP/700DCSP. O número de peça Honeywell é COMM0D.

Consulte a Fig. 8 e a Fig. 9 para uma montagem elétrica de comunicação e esquema de endereçamento típicas, bem como a montagem elétrica requerida do conversor de comunicação COMM0D.

Os processadores de sinal 700ACSP e 700DCSP têm duas portas modulares de telefone para comunicações RS-422. As portas são ligadas em paralelo, de modo que os cabos de ponto a ponto possam saltar de unidade em unidade para interligar vários processadores de sinal Modelo 700. A interface IC do RS-422 é um MAX489. Os ICs suportam até 32 processadores de sinal modelo 700 no mesmo barramento.

Para a comunicação com controles externos ou computadores, consulte a Tabela 4 para o mapa de registros do Modbus.

Configuração de Comunicação

O 700ACSP e o 700DCSP só podem se comunicar por meio do protocolo Modbus RTU, com a seguinte configuração:

- 9600 baud
- 8 bits de dados
- sem paridade
- 1 bit de parada

OBSERVAÇÃO: O Protocolo padrão deve ser alterado para comunicação Modbus ser utilizada. Ele pode ser ajustado para Modbus usando a seguinte sequência de teclas no painel frontal do 700:

1. Pressione e segure o botão BNR-OFF SEQ START/END por 2 segundos.
2. Pressione a seta para cima para mudar a configuração de P0 para P1.
3. Pressione STORE.

O endereço Modbus padrão de fábrica do 700ACSP e 700DCSP é 0 e deve ser alterado para um número entre 1 e 32 para estabelecer a comunicação entre o processador de sinal e o controle de host. Quando mais do que um processador de sinal estiver na rede, assegure-se de que cada processador de sinal tenha um endereço Modbus único dentro do intervalo de 1 a 32.

Funções Modbus RTU Suportadas

Quatro funções Modbus são suportadas:

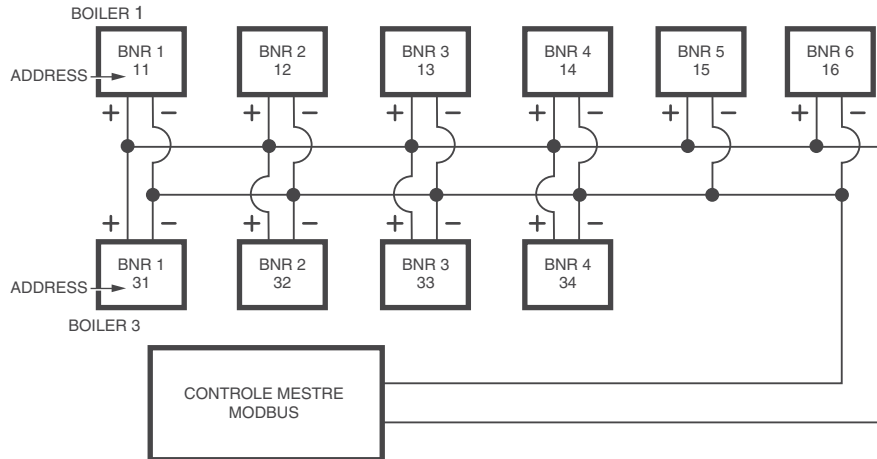
- 01 Leitura de bobina de saída
- 03 Leitura de registro de holding
- 06 Registros de holding simples
- 16 Registros de holding múltiplo

OBSERVAÇÕES:

- Antes dos processadores de sinal modelo 700 estarem conectados ao barramento RS-422, seus endereços individuais Modbus devem ser definidos para diferentes valores entre 1 e 32.
- O botão RESET na frente dos processadores de sinal 700ACSP ou 700DCSP é usado para definir o endereço Modbus.
- Pressione e segure o botão RESET por dois segundos e o endereço atual será exibido. Ele pode ser alterado com as teclas de seta para cima ou para baixo.
- Pressione o botão STORE para armazenar o novo endereço.

Tabela 4. Mapa de registros MODBUS.

Registro	Nome	Descrição	Mínimo	Máximo
40001	FLAMECOUNT	Medição de chama de sensor de chama ativo (somente leitura)	0	3425
40002	PROCSTATUS	Status do bitmask do processador (somente leitura) bit 1: status do relé flame on (1=relé energizado, 0=desligado) bit 2: Status do bloqueio do processador (0=bloqueado, 1=não bloqueado) bit 3: Acesso ao Painel desativado (1=desativado, 0=ativado) bit 4: Saída 4 - 20 ma (0=0 a 20, 1=4 a 20)	0	255
40003	FLAMEON	Setpoint do Flame On (ler/gravar)	3 (S70X)	29
40007	OUTPUTGAIN	Ganho de saída de 0/4-20mA (ler/gravar)	20	80
40010	IRGAIN	Configuração do ganho do sensor IR (ler/gravar)	1	9
40012	UVTGAIN	Configuração do ganho do sensor UV (ler/gravar)	1	9
40017	TYPE	Tipo de bitmask do sensor de chama (somente leitura) bit 0: Sensor de chama UV bit 1: Sensor de chama IR	-	-
40021	TIMEDELAY	Tempo de Retardo (somente leitura) =1 para 700XXSP	1	2
40022	FFRT	Configuração do Tempo de resposta de falha de chama em segundos (ler/gravar)	1	3
40023	VERSION	Versão do Firmware (somente leitura)	-	-
40024	MODEL (modelo)	Número do modelo (somente leitura)	-	-
40084	ERRORCODE	Código do erro (ler/gravar) OBSERVAÇÃO: não é permitido escrever um número diferente de zero neste registro.	-	-
40085	BAUD	Configuração de taxa de baud (bits/segundo). Afeta somente comunicação RS-485, não IRDA. (ler, gravar) 96=9600 (padrão), 192=19200. O PS e o dispositivo principal precisam ter as mesmas configurações de baud.	96	192
40086	PARITY	Configuração de paridade. Afeta somente comunicação RS-485, não IRDA. (ler/gravar) 0= nenhum (padrão), 1=ímpar	0	1
40087	ADDRESS	Endereços Modbus usados por RS-485 e IRDA (ler/gravar). Cada dispositivo deve ter um endereço exclusivo.	0	247
40089	PROTOCOL	Protocolo (ler/gravar) 0=protocolo Honeywell, 1=protocolo Modbus	0	1



OBSERVAÇÕES: UM CONVERSOR PODE SER NECESSÁRIO PARA COMUNICAÇÕES COM O CONTROLE MESTRE MODBUS.

USE CABO PROTEGIDO PARA CABEAMENTO DE COMUNICAÇÃO.

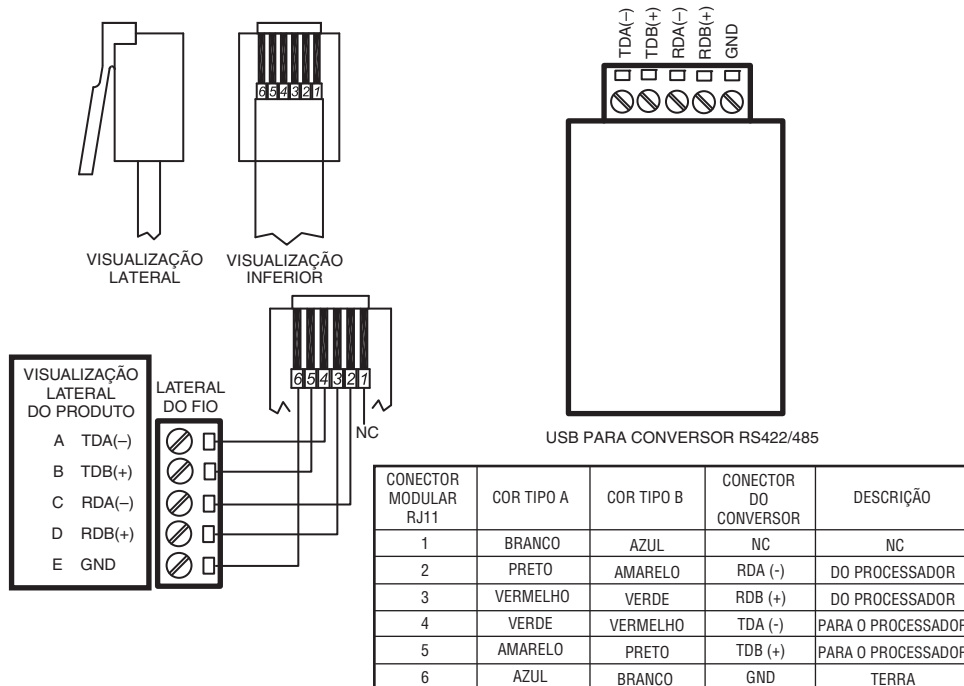
O DESENHO É APENAS PARA UMA REFERÊNCIA GERAL.

PARA COMUNICAÇÃO DO RS422 COM O 700ACSP OU 700DCSP, UM CONECTOR RJ11 COM 5 FIOS DE CADA PROCESSADOR DE SINAL SERÁ NECESSÁRIO (RDA-, RDB+, TDA-, TDB+, GND), SEGUINDO A POLARIDADE DE CADA PROCESSADOR DE SINAL.

MP34457

Fig. 8. Montagem Elétrica Típica e Endereçamento Recomendado.

OBSERVAÇÃO: Consulte a Fig. 9 para obter detalhes da montagem elétrica do conversor para o RJ11.



ATENÇÃO: A ORDEM DAS CORES NO CABO PODE SER TIPO A OU TIPO B. VERIFIQUE AS CORES NO CONECTOR.

OBSERVAÇÕES:

SELECIONAR AS CONFIGURAÇÕES DA CHAVE DIP APROPRIADAS PARA COMUNICAÇÃO RS-422 DE ACORDO COM A PLANILHA DE INSTRUÇÕES DO FORNECEDOR.

O CONECTOR RJ11 É FORNECIDO E MONTADO PELO CLIENTE.

DRIVERS DE SOFTWARE PODEM SER OBTIDOS POR MEIO DE DOWNLOAD DO WEBSITE B&B ELECTRONICS.

MP33831

Fig. 9. Montagem Elétrica do Conversor de Comunicação COMMOD.

SOLUÇÃO DE PROBLEMAS

Indicação de Bloqueio ou Falha do SC

Se o sensor produz quaisquer pulsos durante o último terço do tempo do autodiagnóstico, o relé será imediatamente desenergizado, o visor exibirá "LO" (bloqueio), e o FAULT LED piscará rapidamente. Saia do bloqueio pressionando RESET.

Se um pulso ou pulsos chegarem durante o último terço do tempo do autodiagnóstico, enquanto a amostragem automática de dados ocorre, o processo automático será abortado, o relé será desenergizado se estiver energizado, o display mostrará "LO" (bloqueio) e o FAULT LED piscará rapidamente. Pressione RESET para sair desta situação.

Se o sensor de chama estiver desconectado, o display mostrará "L1". Reconecte o Sensor de Chama e aperte RESET.

Se o processador de sinal exibe "EE" quando é ligado, essa é uma indicação de que os dados armazenados na EEPROM para o sensor de chama não correspondem ao sensor de chama atualmente conectado. Para obter mais informações sobre essa condição, consulte a Seção de Correspondência de Parâmetros de Erro abaixo.

Correspondência de Parâmetros de Erro

Se o processador de sinal exibe "EE" quando é ligado, essa é uma indicação de que os dados armazenados na EEPROM para o sensor de chama não correspondem ao sensor de chama atualmente conectado. Este erro pode ocorrer quando um sensor de chama de modelo diferente do que estava previamente ligado for conectado ao processador de sinal. Como resultado, o processador de sinal descarta os parâmetros armazenados anteriores e carrega os padrões de fábrica, exceto pelo RELAY ON SETPOINT, que é definido para 31.

Os valores de setpoint e outros parâmetros, além de mais códigos de verificação de erro, são armazenados na EEPROM (Electrically Erasable Programmable Read Only Memory), nos processadores de sinal. Estes dados são lidos para verificação de erros ao ligar o equipamento. Se os dados não corresponderem exatamente aos que foram previamente armazenados, o processador de sinal descarta todos os

dados, exibe "EE" e carrega os padrões de fábrica. O RELAY ON SETPOINT é definido para 31. Como a medição de chama não pode ir tão alto, o relé de chama não pode ser energizado. O processador de sinal pode ser reiniciado alterando o RELAY ON SETPOINT para um valor razoável ou pressionando LOAD FACTORY DEFAULTS.

Bloqueio do painel com nenhum SC Conectado

O processador de sinal requer uma comunicação contínua com o sensor de chama conectado. Se o sensor de chama for desconectado, a comunicação será perdida e o visor se tornará inoperante e nenhuma configuração poderá ser examinada ou alterada. Para corrigir essa condição, reconecte o sensor de chama ao processador de sinal para alimentar o equipamento.

Aterramento e blindagem

Consulte "Aterramento e Blindagem" na página 3 para obter ajuda na solução de problemas sobre técnicas apropriadas de aterramento e blindagem.

MANUTENÇÃO

(Apenas modelos de sensor UV)

O sensor UV tem uma vida útil limitada. Em condições extremas, a vida útil pode durar apenas 10.000 horas. No entanto, em condições mais favoráveis, a vida útil é de 50.000 horas ou mais. A vida útil do sensor UV serviço é considerada terminada quando a sensibilidade torna-se menor que 50% de seu valor inicial.

Uma verificação mensal da sensibilidade é sugerido para determinar se a vida útil do sensor UV acabou. A leitura do processador de sinal deve ser comparada com a leitura inicial da unidade quando foi instalada. Garanta condições semelhantes de queima do queimador da aplicação e que as mesmas configurações de ganho do sensor de chama sejam usadas durante cada verificação de sensibilidade. Se for determinado que a sensibilidade é inferior a 50% do valor inicial (fim da vida útil do sensor), o sensor deve ser substituído.

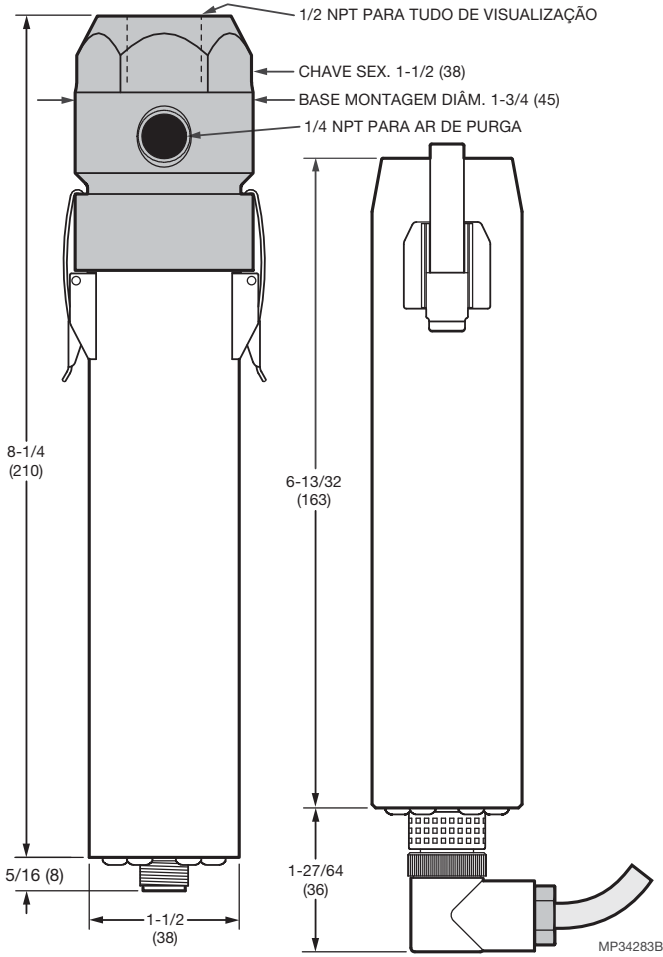


Fig. 10. Sensores de Chama Modelo S702 e S706.

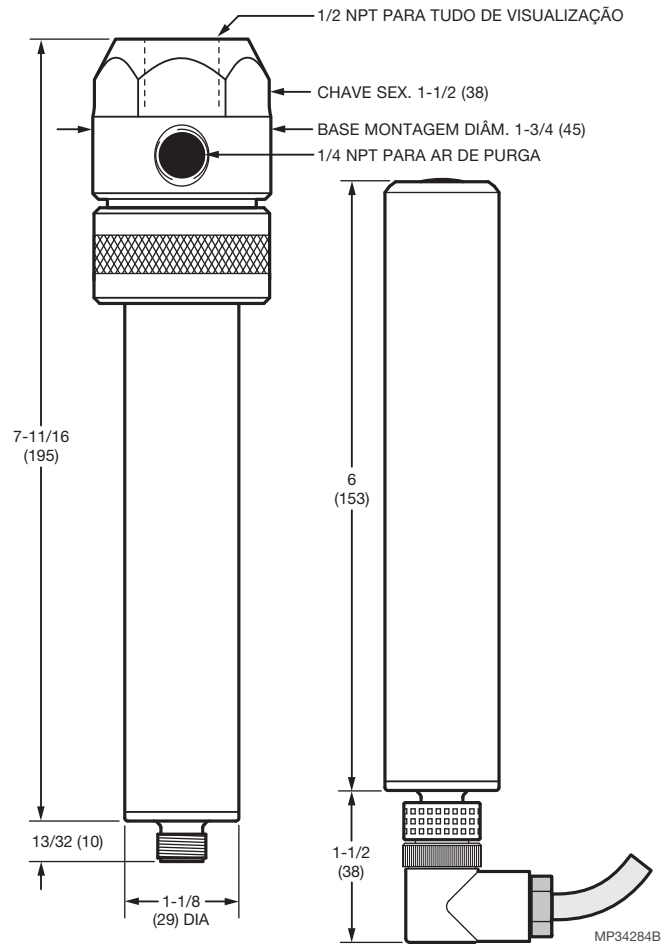


Fig. 11. Sensores de Chama Modelo S802 e S806.

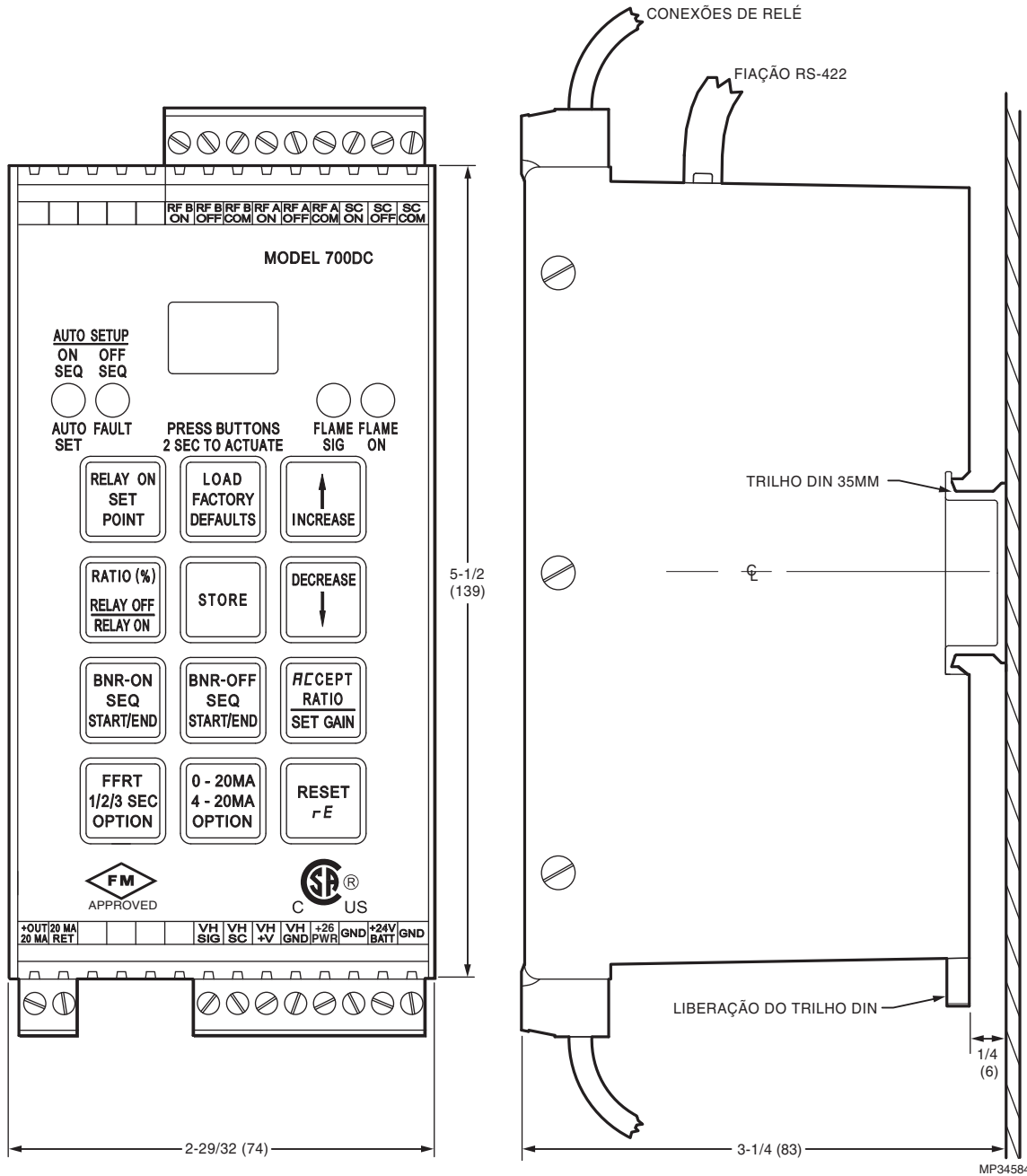


Fig. 12. Processador de Sinal Modelo 700DCSP.

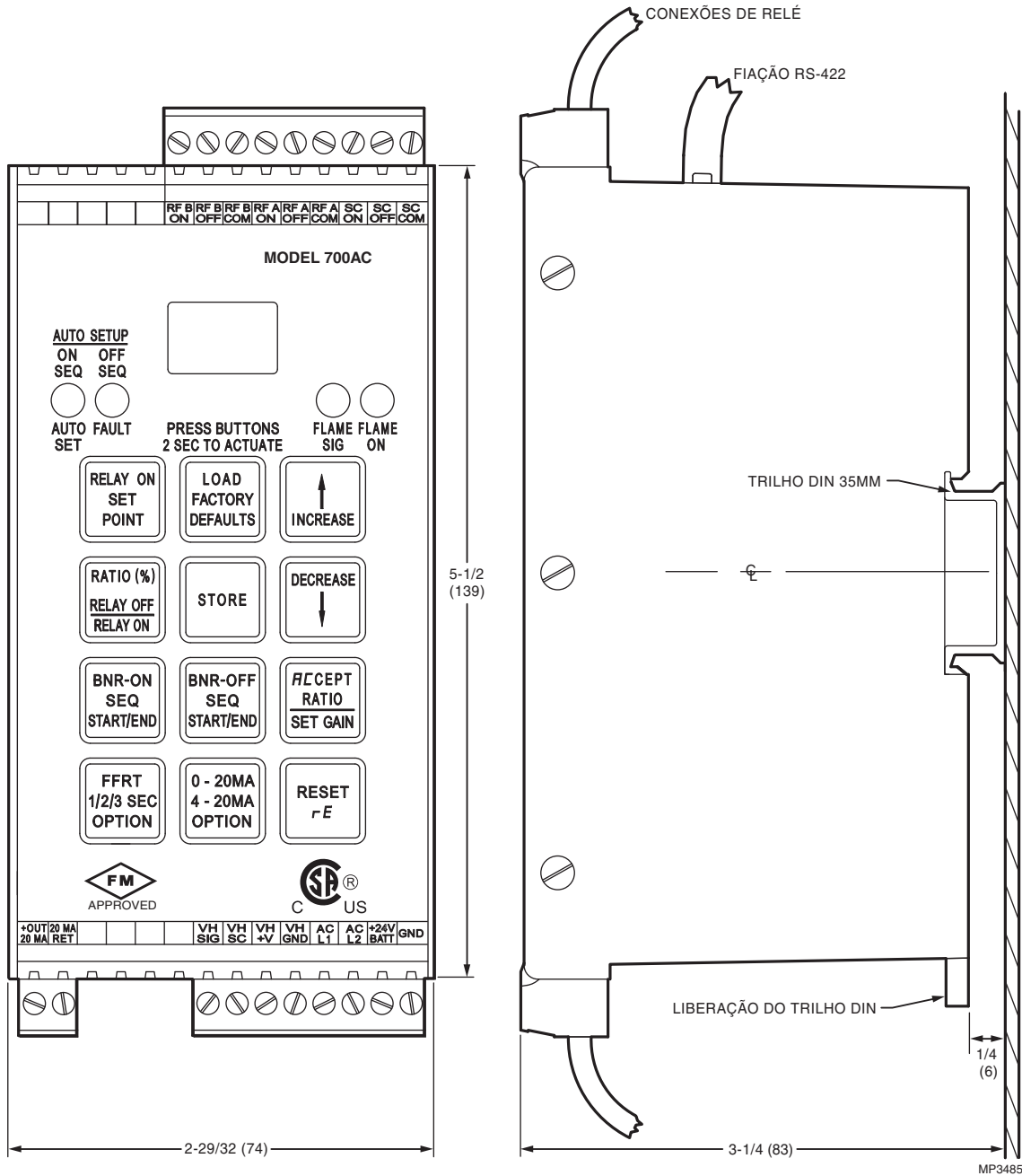


Fig. 13. Processador de Sinal Modelo 700ACSP.

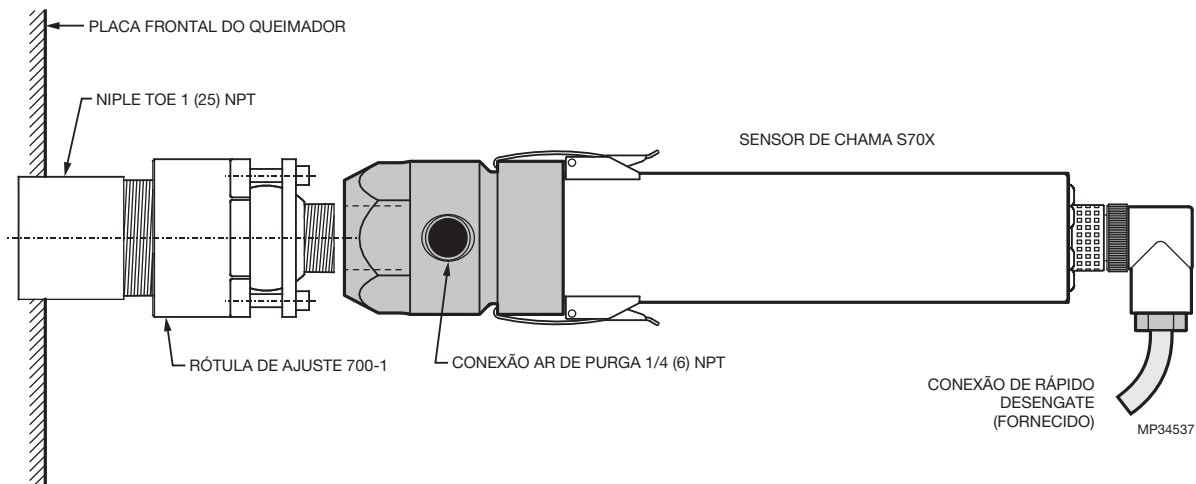


Fig. 14. Exemplo de Montagem do Sensor de Chama.

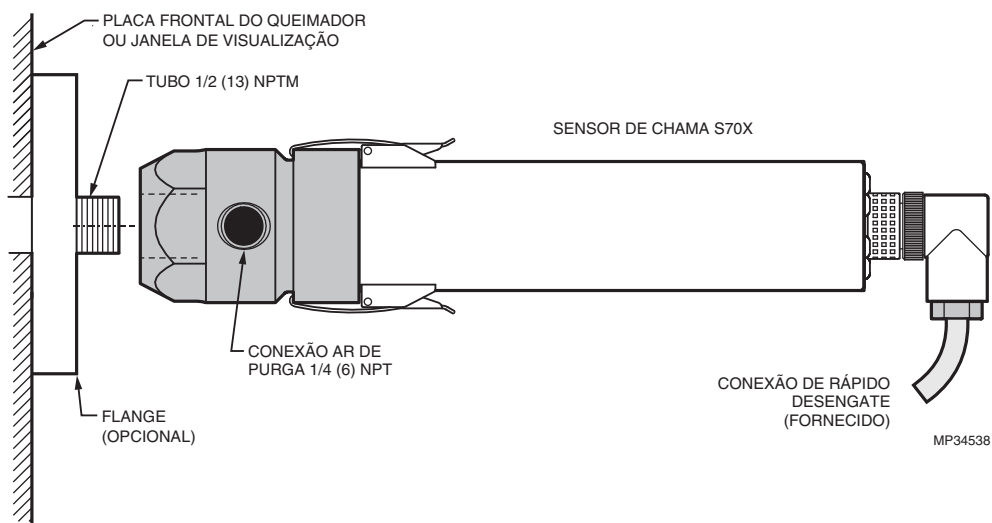


Fig. 15. Exemplo de Montagem do Sensor de Chama.

Exemplos de montagem

Ar de purga deve ser fornecido por meio da conexão de ar de purga para reduzir o calor por condução e para manter o tubo de visualização e a lente do sensor de chama livres de sujeira e detritos. Consulte "Ar de Purga" na página 8 para requisitos. Por razões de isolamento elétrico, a linha de ar de purga deve ser instalada usando um material isolante, como uma mangueira de borracha, entre a linha de ar de purga e o sensor de chama. Observe que um tubo extensor pode ser necessário para posicionar o sensor de chama além da placa frontal do queimador para evitar altas temperaturas. Além

disso, uma base de montagem de Ultem para isolamento térmico está disponível para substituição para todos os modelos, que está classificado para serviço contínuo a 160°C (320°F). Também estão disponíveis camisa de refrigeração que são utilizadas com refrigeradores de vórtex. O niple R-518-13, o adaptador acoplador de trava R-518-PT13/R-518-PT13L ou o acoplador de trava R-518-CL13-HTG Ultem Honeywell também pode ser utilizado para isolamento de calor. Consulte a seção Acessórios deste documento para obter números de peças de acessórios.

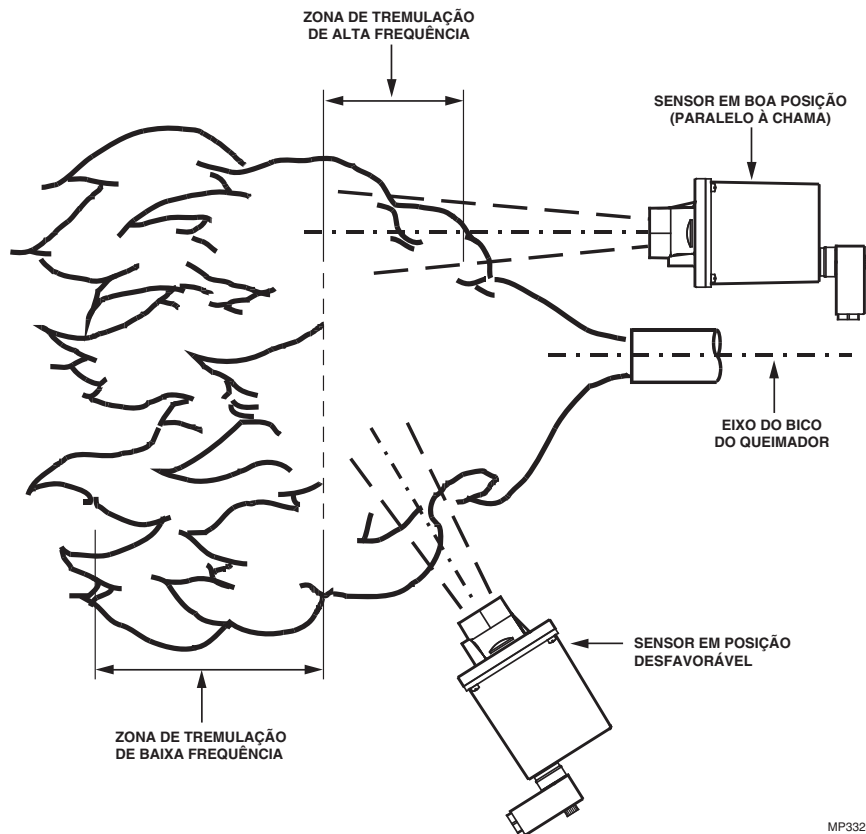


Fig. 16. Posicionamento do Sensor de Chama IR

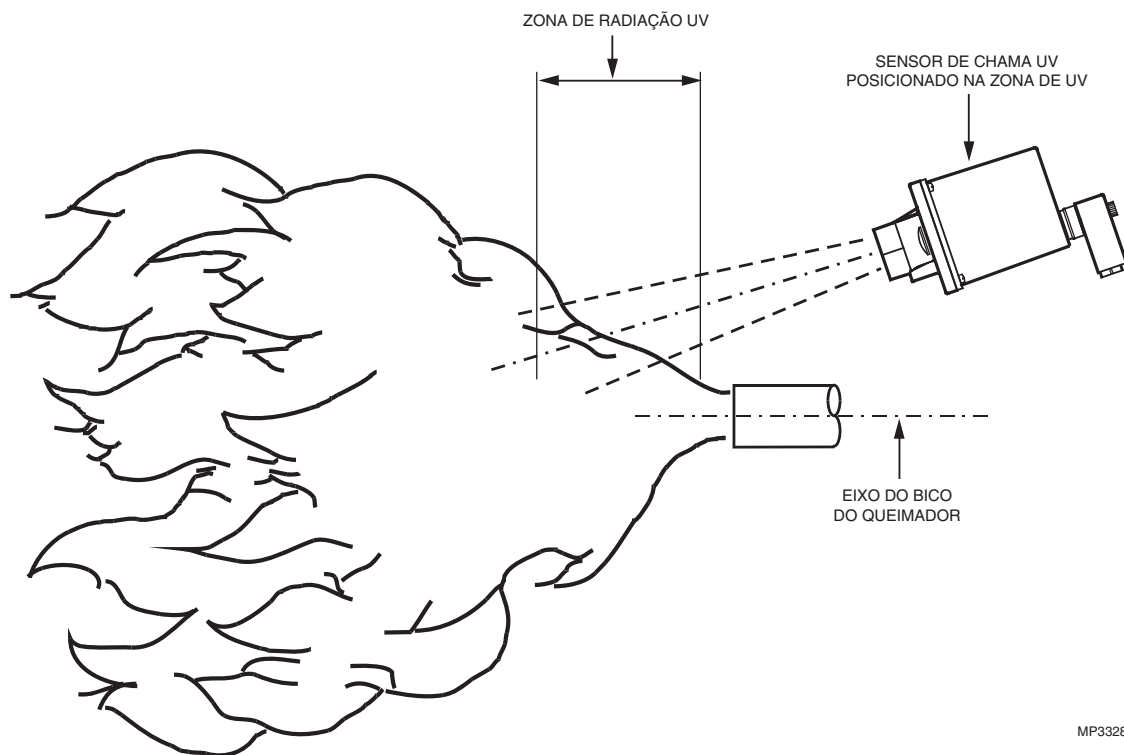
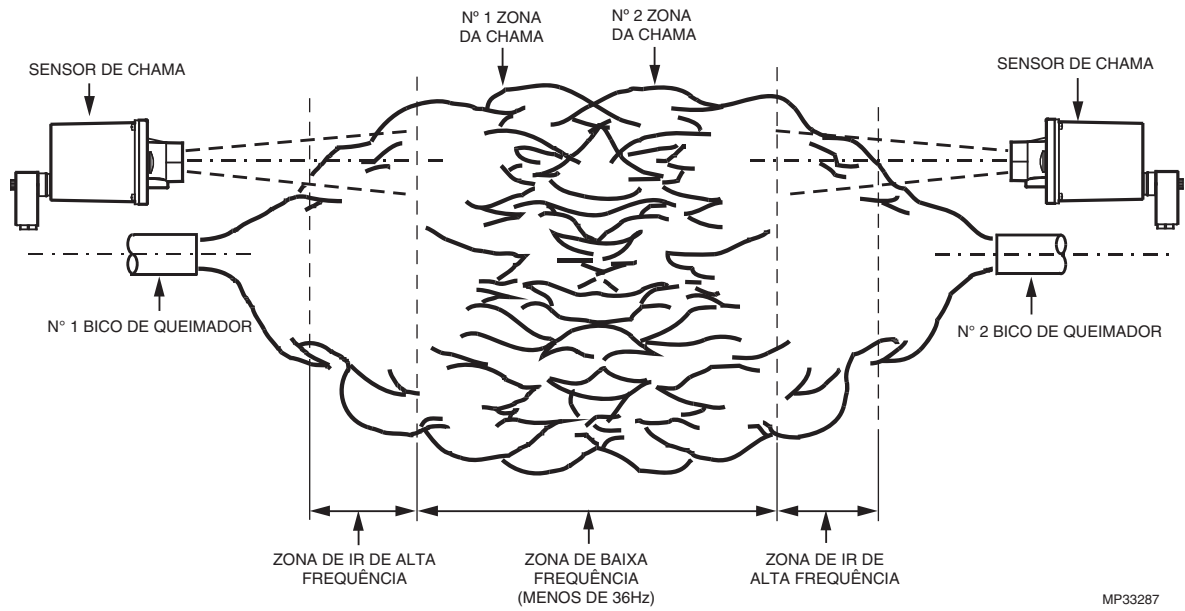


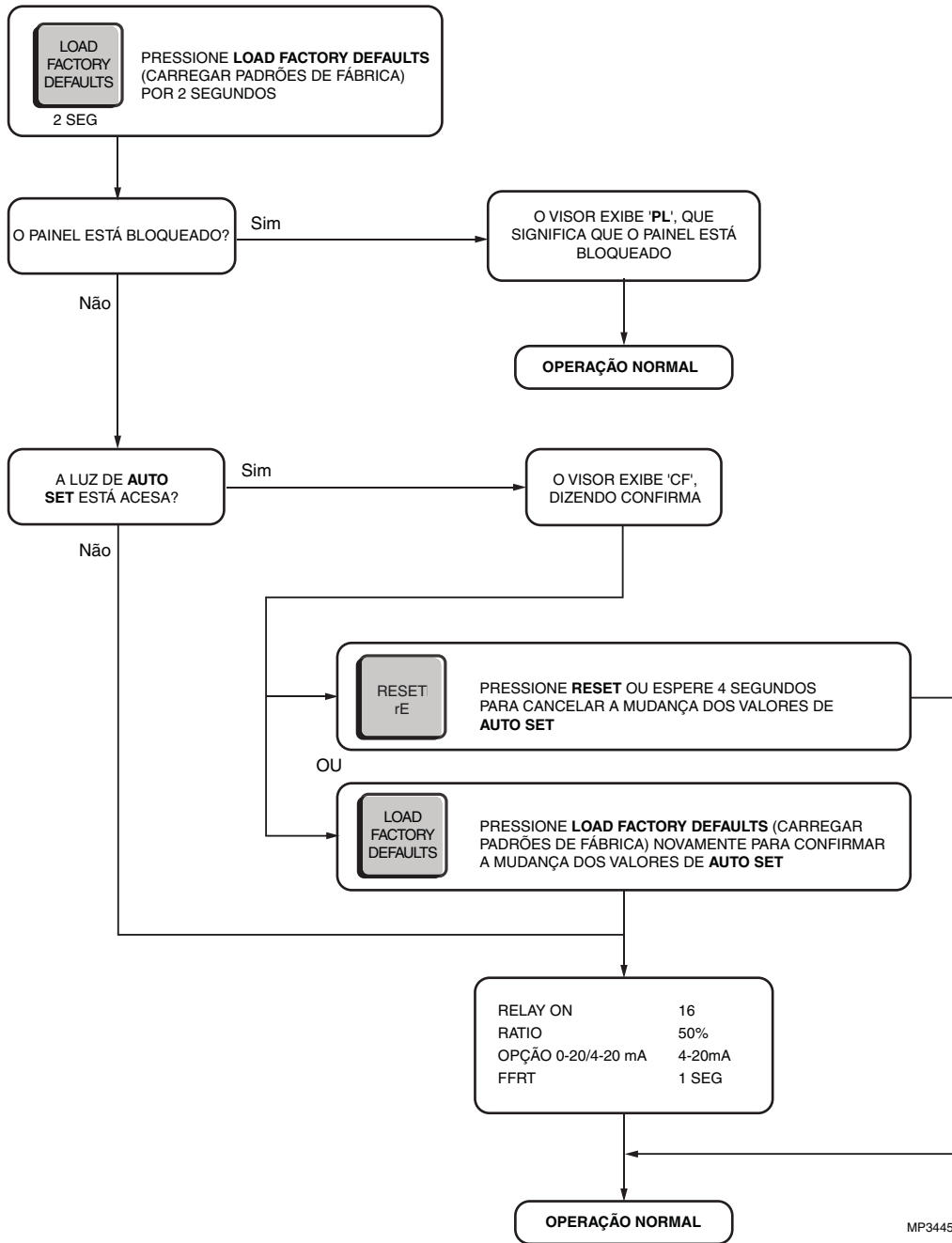
Fig. 17. Posicionamento do Sensor de Chama UV



MP33287

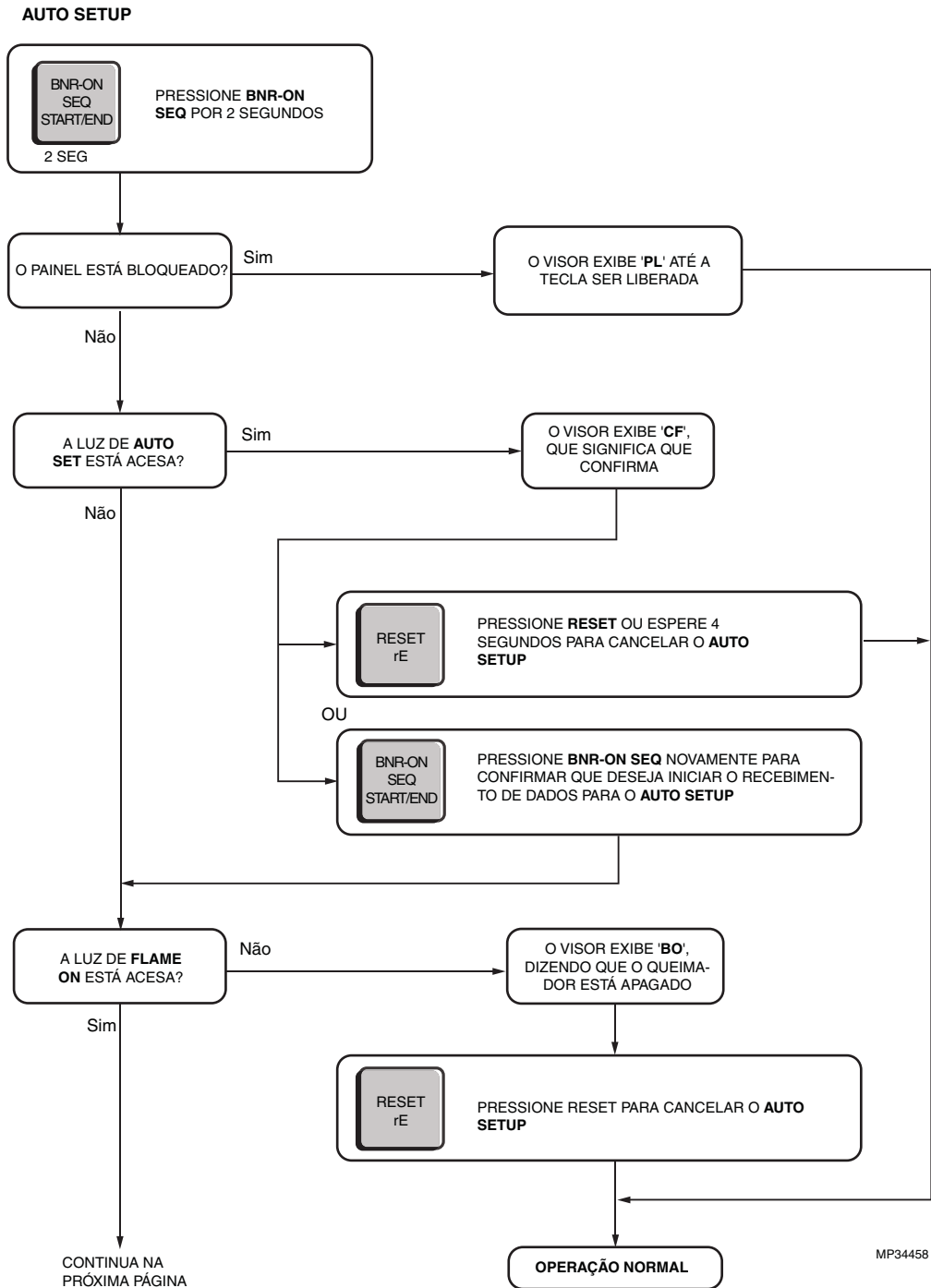
Fig. 18. Posicionamento de Sensores de Chama Opostos

RESTAURAÇÃO DE VALORES PADRÃO



MP34456

Fig. 19. Fluxograma 1 - Configuração de Padrão de Fábrica.



MP34458

Fig. 20. Fluxograma 2 - Página 1 Auto Setup.

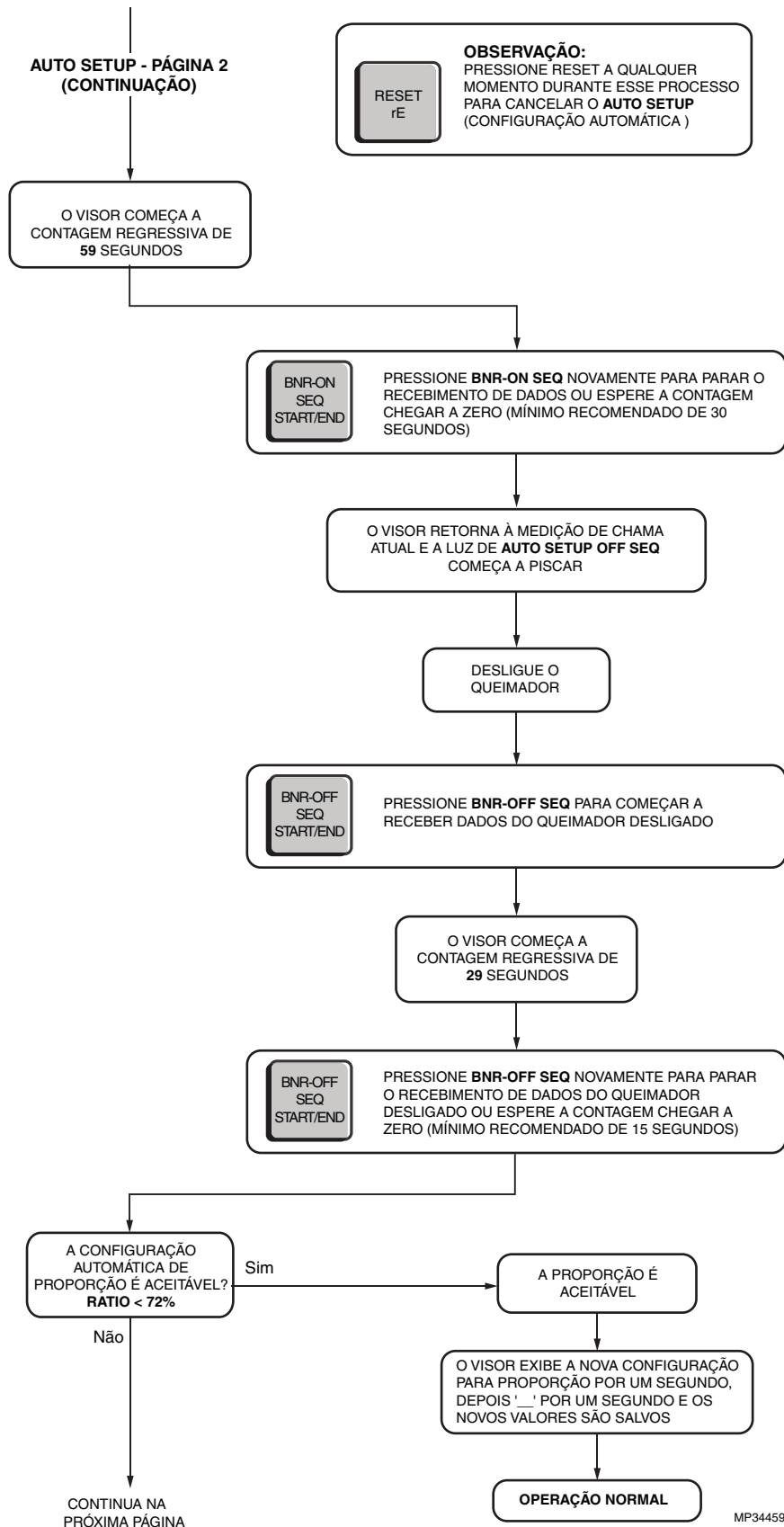


Fig. 21. Fluxograma 3 - Página 2 Auto Setup.

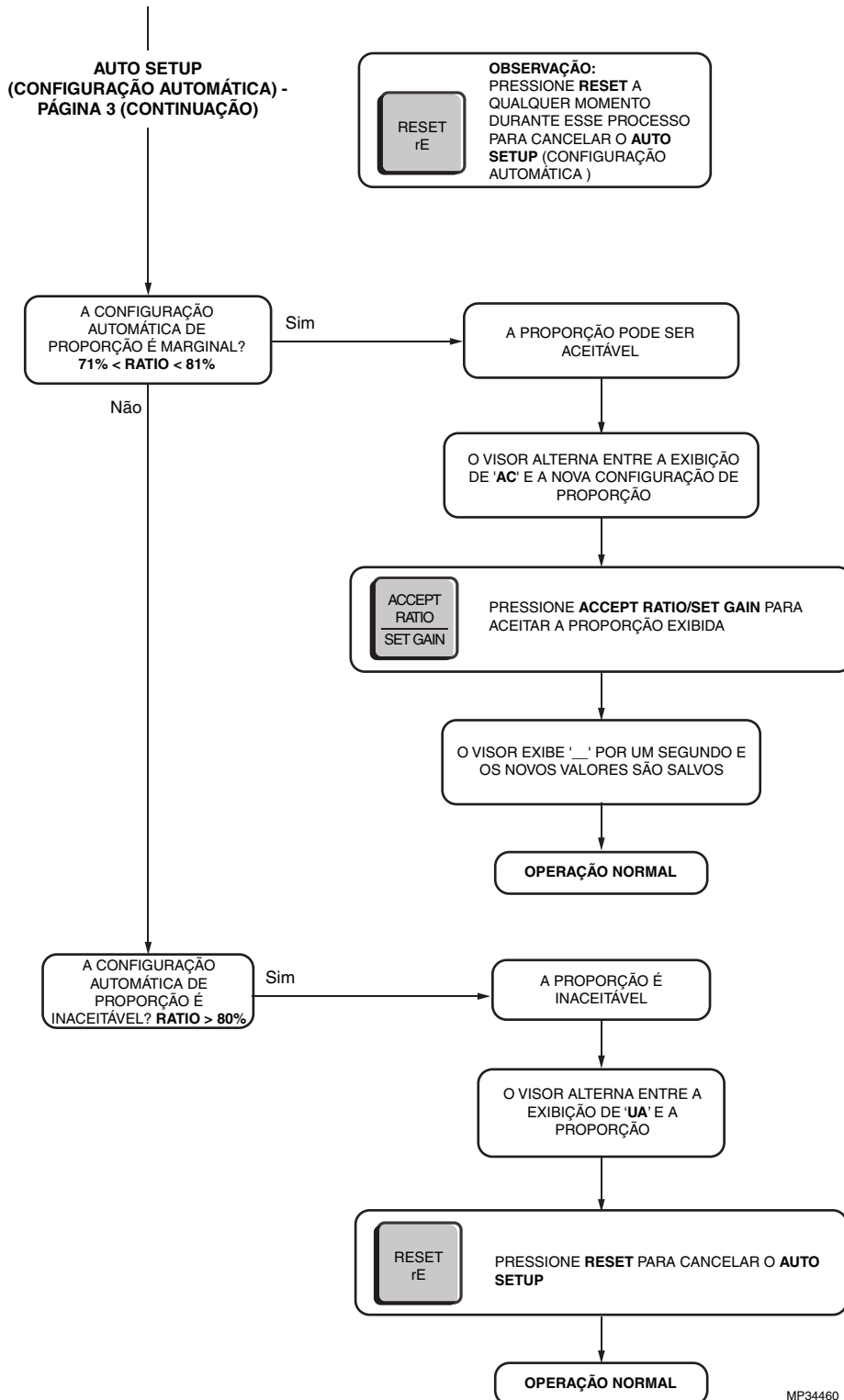


Fig. 22. Fluxograma 4: Página 3 Auto Setup.

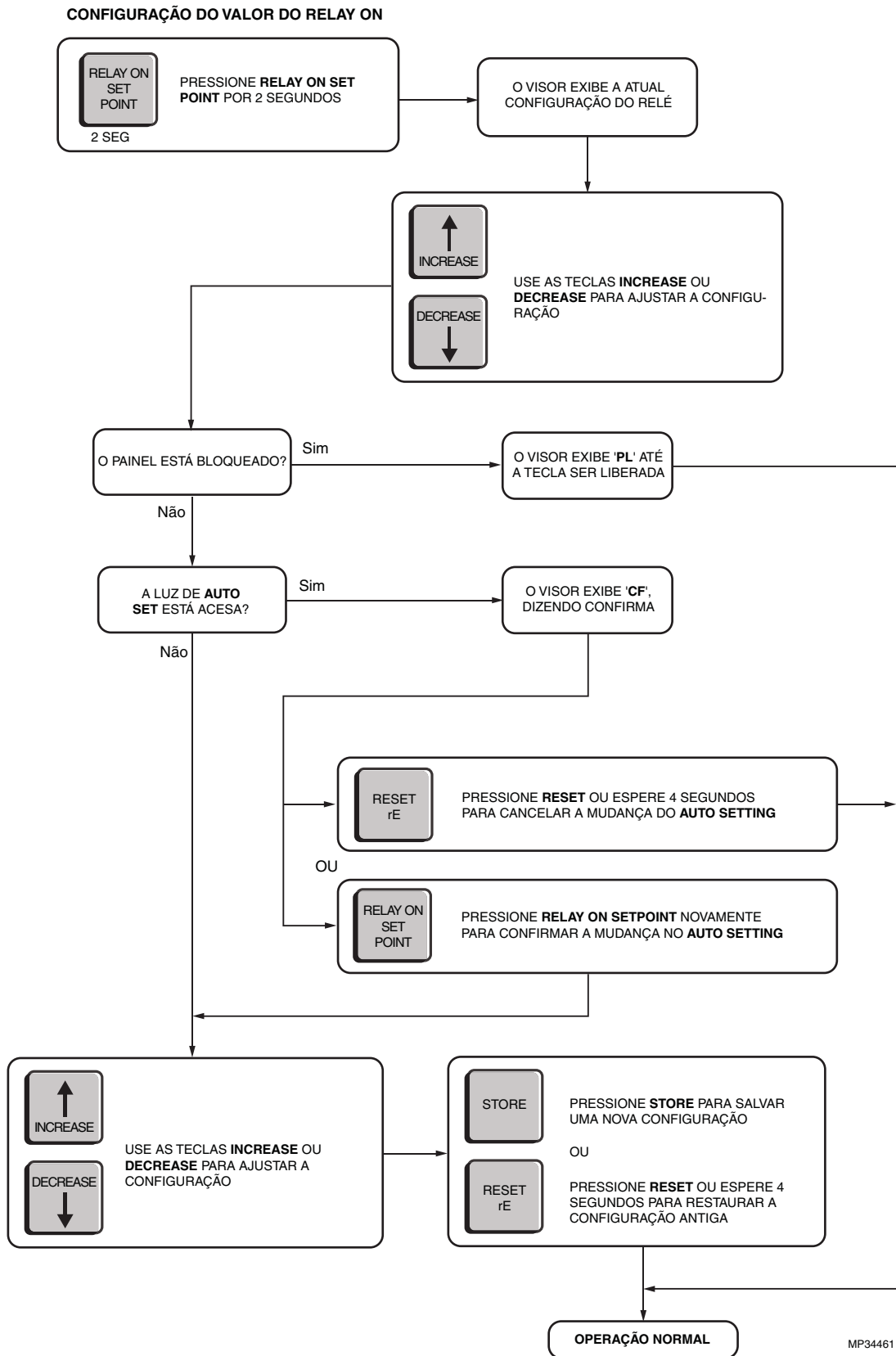


Fig. 23. Fluxograma 5: Configuração Manual do Flame On.

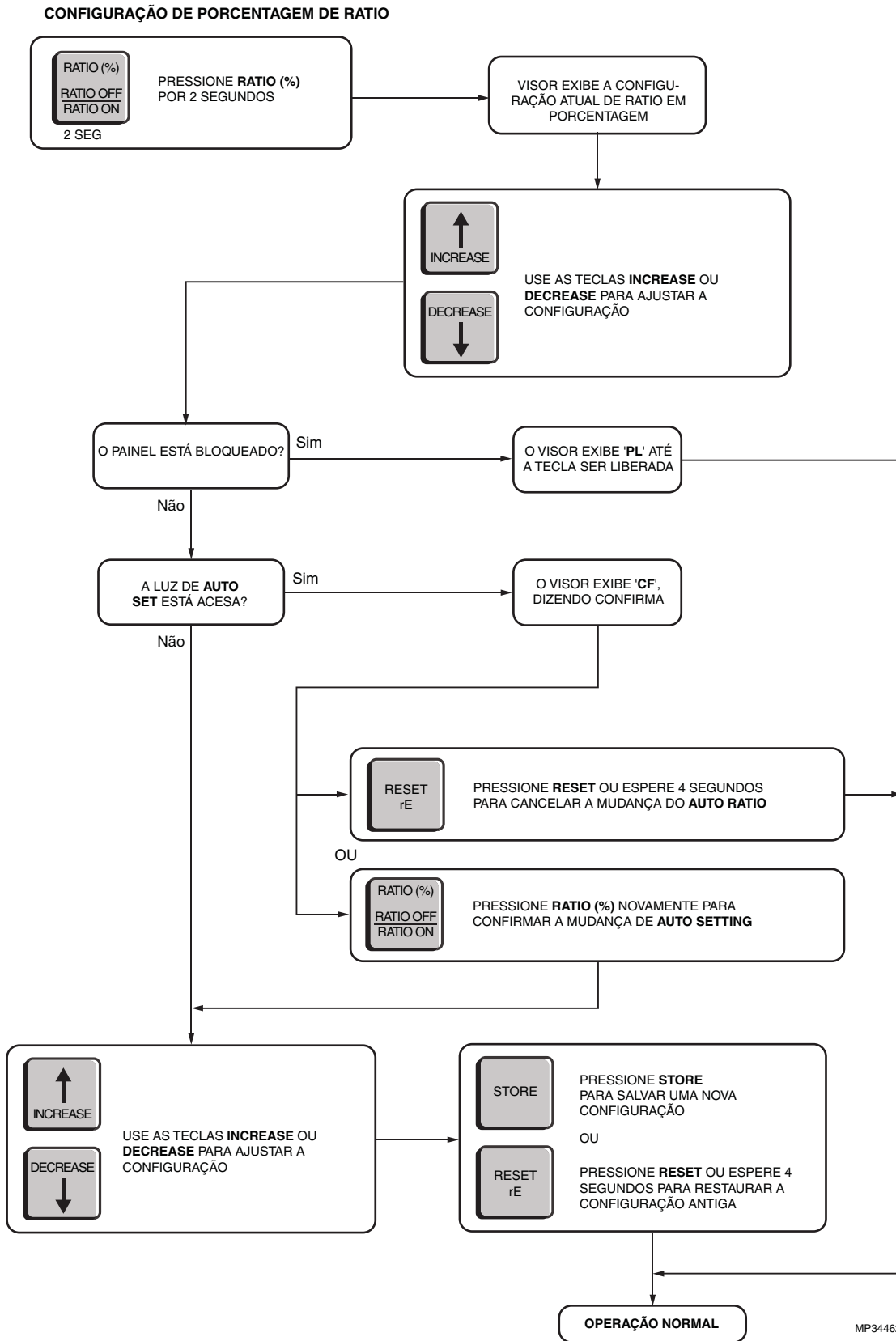


Fig. 24. Fluxograma 6: Configuração Manual do Flame Off.

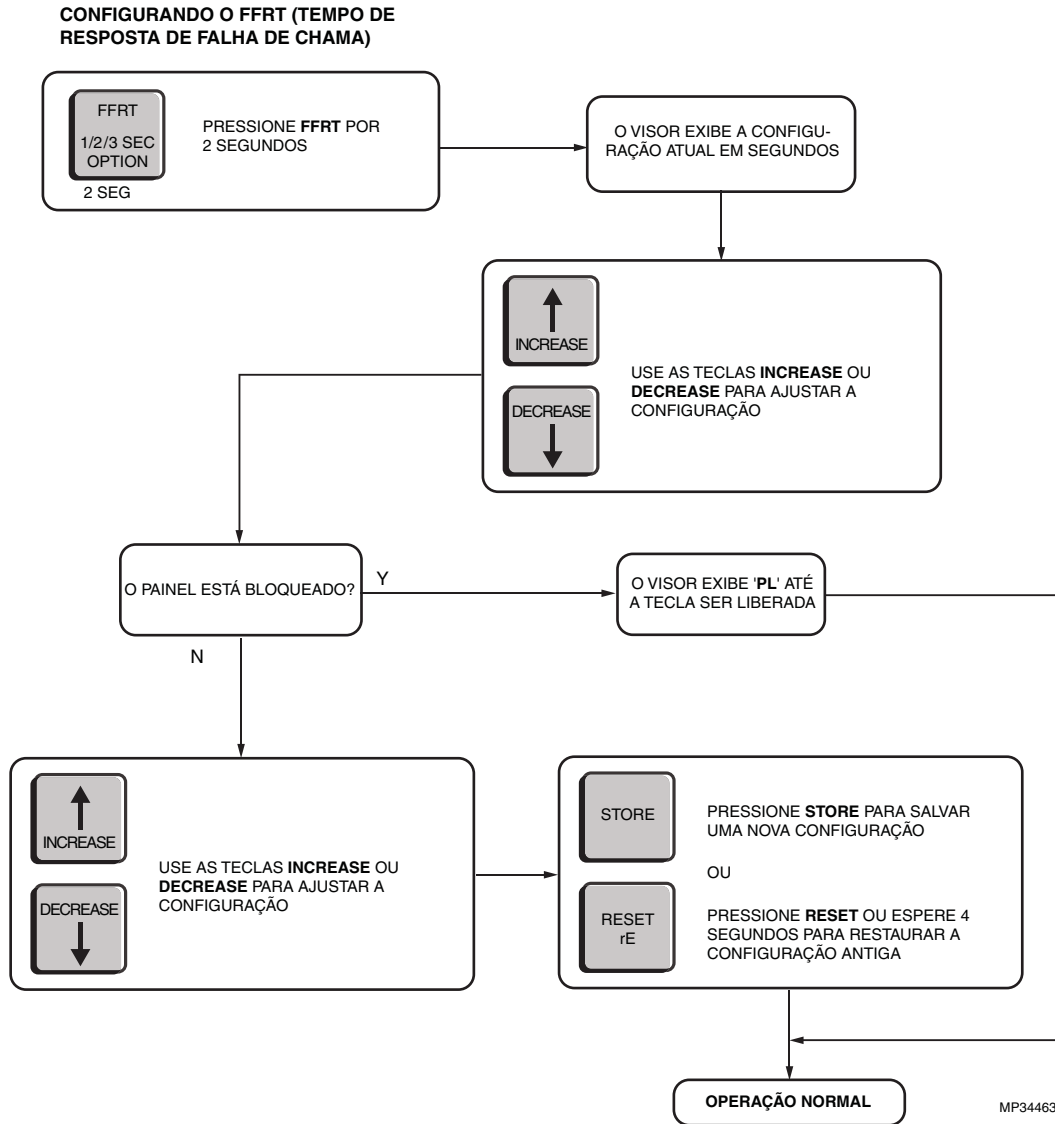


Fig. 25. Fluxograma 7: Configuração do FFRT (Tempo de Resposta de Falha de Chama).

CONFIGURAÇÃO DE NÍVEIS DE SAÍDA ANALÓGICA (0-20/4-20 mA)

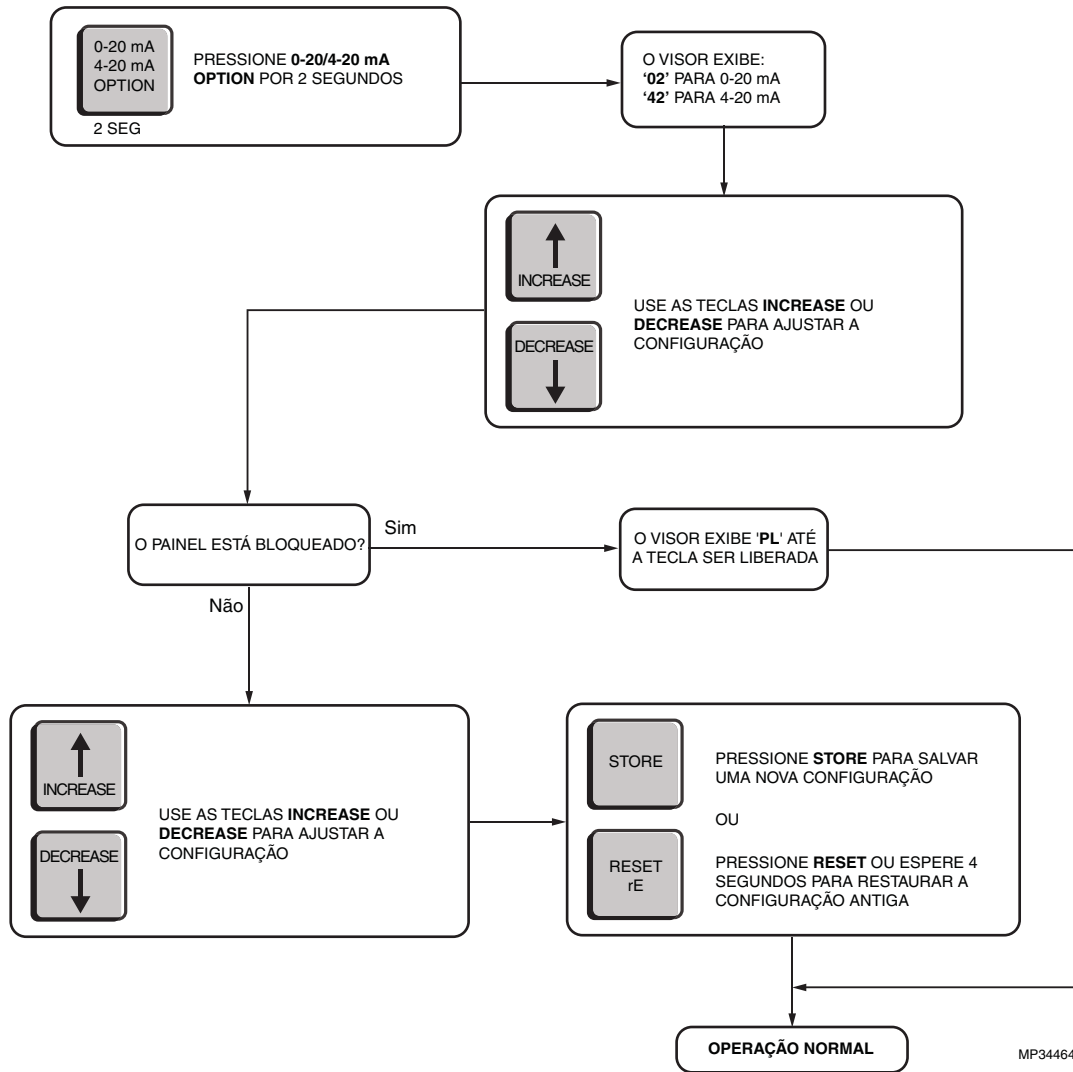


Fig. 26. Fluxograma 8: Configuração da Saída Analógica 0-20/4-20mA.

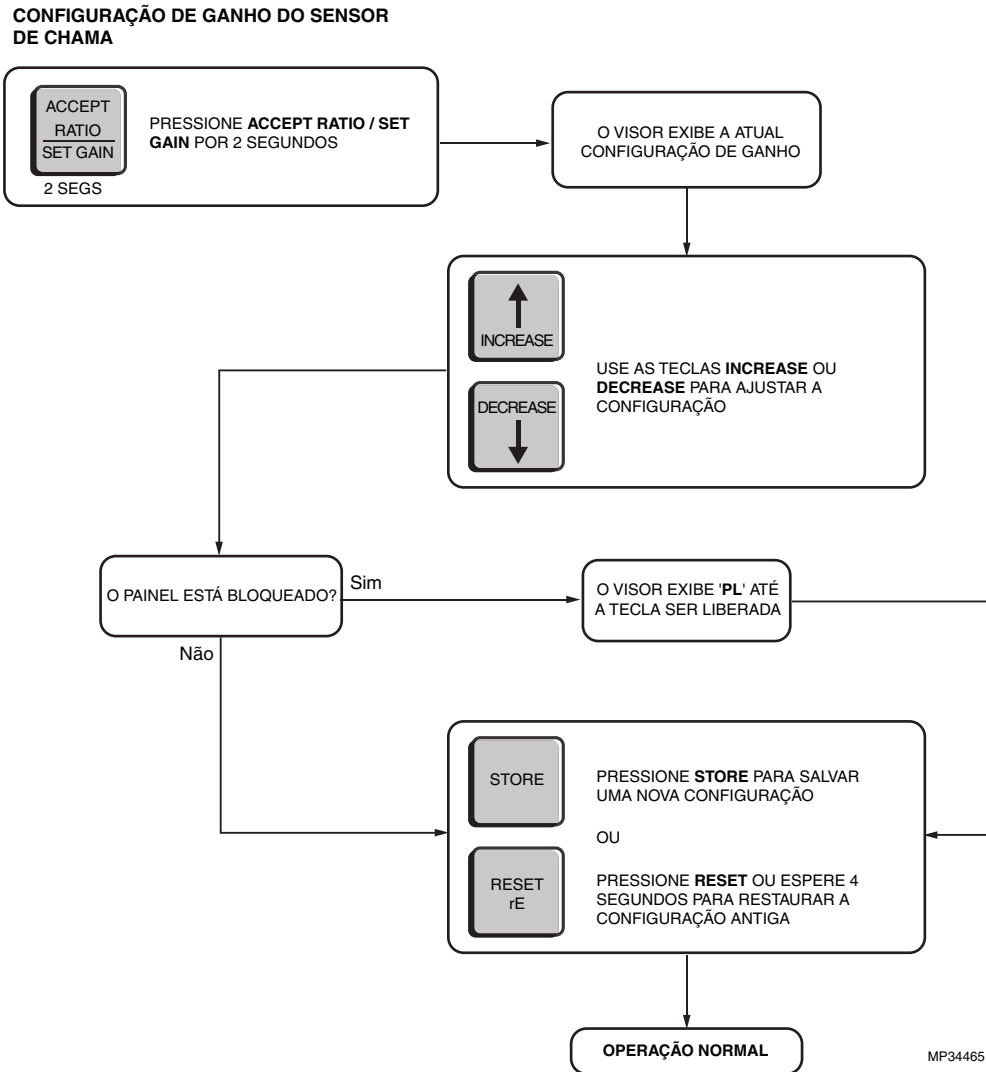


Fig. 27. Fluxograma 9: Configuração de Ganho do Sensor de Chama.

MANUAL DE SEGURANÇA: PROCESSADOR DE SINAL 700

Declaração de Produto 700ACSP e 700DCSP

PARA USO EM APLICAÇÕES DE SEGURANÇA DE BAIXA DEMANDA.

Modelos: 700ACSP e 700DCSP

Modelos	SIL	HFT	SFF	PFD	λ_s	λ_{dd}	λ_{du}
700AC	3	0	>99%	$1,79 \times 10^{-4}$	$1,93 \times 10^{-6}$	$8,53 \times 10^{-9}$	$8,20 \times 10^{-9}$
700DC	3	0	>99%	$1,79 \times 10^{-4}$	$1,36 \times 10^{-6}$	$8,53 \times 10^{-9}$	$8,20 \times 10^{-9}$

Arquitetura do sistema	1oo1
MTTR (tempo médio para restauração)	8 horas
Intervalo de Teste de Verificação	5 anos
Para uso em	SIL 3 ambiente

Tabela 5. Definições.

Termo	Definição
Falha Perigosa	Falha que tem o potencial de colocar o sistema relacionado à segurança em um estado de perigo ou de falha de funcionamento
Sistema Relacionado à Segurança	Um sistema que implementa as funções de segurança necessárias e exigidas para atingir ou manter um estado seguro e destinado a atingir isoladamente ou com outros sistemas a integridade de segurança necessária para as funções de segurança necessárias.
Função de Segurança	Função definida, que é realizada por um sistema relacionado à segurança com o objetivo de atingir ou manter um estado seguro para a fábrica, no que diz respeito a um evento específico de perigo.
Teste de Verificação	Teste periódico realizado para detectar falhas de segurança em um sistema relacionado à segurança, para que, se necessário, o sistema possa ser restaurado para uma condição de "novo" ou o mais próximo possível dessa condição.
MTTR (Tempo Médio para Restauração)	Taxa de falhas detectáveis seguras por um bilhão de horas.
λ_{sd}	Por exemplo, se $\lambda_{sd} = 3000$, a estimativa é de que haverá cerca de 3.000 falhas detectáveis durante todo bilhão de horas de operação. Para $\lambda_{sd} = 3000$, haverá uma falha detectável segura a cada 38 anos.
λ_{su}	Taxa de falhas não detectáveis seguras por um bilhão de horas.
λ_{dd}	Taxa de falhas detectáveis perigosas por um bilhão de horas.
λ_{du}	Taxa de falhas não detectáveis seguras por um bilhão de horas.
HFT	Tolerância de falha de hardware
Arquitetura do sistema	Configuração específica de elementos de hardware e software em um sistema.
PFD _{AVG} (Average Probability of Failure on Demand)	Probabilidade média de ocorrência de uma falha on demand. Neste caso, no que diz respeito ao Processador de Sinal 700.
FIT (Falhas em um dado Tempo)	Uma unidade de medida que representa uma falha por bilhão de horas. 1.000.000.000 horas são aproximadamente 114,155.25 anos.

Função de Segurança do 700

A função de segurança do processador de sinal 700 consiste de um Relé de Chama que abrange sua função de segurança e se comporta de acordo com o seguinte:

O Relé de Chama (normalmente aberto)

- O Relé de Chama será **energizado** quando o processador de sinal for ligado e uma condição de chama acesa for detectada.
- O Relé de Chama será **desenergizado** quando o sensor de chama for ligado, uma condição de chama apagada for detectada e o FFRT (tempo de resposta de falha de chama) tiver decorrido.

- O Relé de Chama será **desenergizado** quando o processador de sinal for ligado e detectar uma condição de defeito.
- O Relé de Chama será **desenergizado** quando o processador de sinal estiver desligado.

Como uma característica de segurança, a bobina do Relé de Chama (Flame Relay) é ligado em série com um segundo pólo de contatos no Relé de Autodiagnóstico (Self Check Relay). O Relé de Autodiagnóstico é projetado para ser fechado durante a operação normal do processador de sinal e aberto durante a detecção de uma falha ou desligamento. É fisicamente impossível para o Relé de Chama ser fechado se o Relé de Autodiagnóstico está aberto, a não ser que os contatos do Relé de Chama sejam soldados fechados ou os contatos do Relé de Autodiagnóstico sejam soldados fechados. Para reduzir a probabilidade de ocorrência de uma falsa condição de chama acesa, é recomendado que o usuário faça a ligação dos Relés de Autodiagnóstico e de Chama em série.

Além disso, um outro recurso de segurança é que o relé não pode ser ativado por um sinal simples continuamente alto ou continuamente baixo. Todo relé precisa ser ativado por um sinal alternativo de frequência apropriada e ciclo de tarefa do processador.

Intervalo de Teste de Verificação dos Processadores de Sinal 700AC e 700DC

O teste de Verificação precisa ser conduzido a cada 1 a 5 anos. Esta variação é dada para permitir que o teste seja executado durante o período normal de fechamento programado do queimador. O usuário é responsável por desempenhar o teste de verificação no intervalo de tempo especificado.

O seguinte diagrama apresenta a dependência do PFD_{AVG} no intervalo de teste de verificação. O PFD_{AVG} aumenta à medida que o intervalo de teste de verificação aumenta.

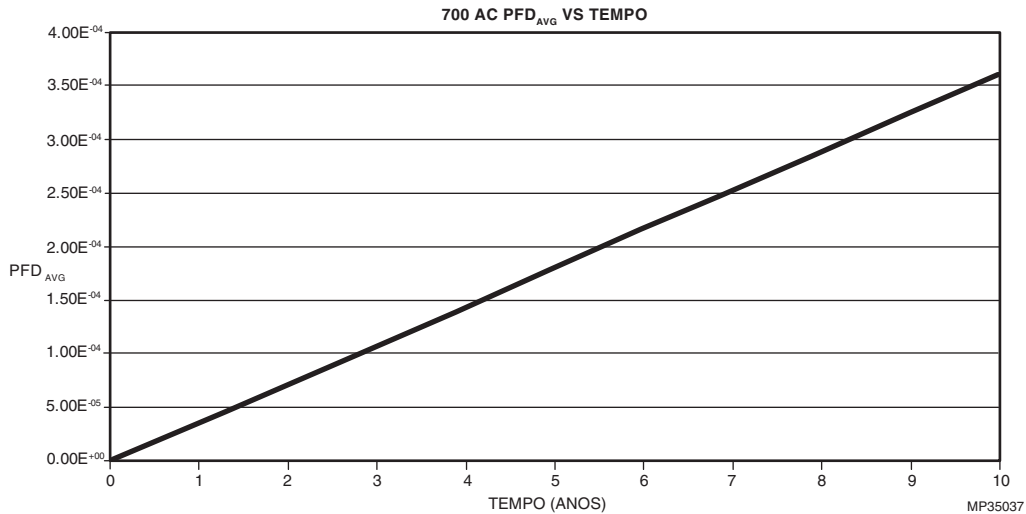


Fig. 28. Dependência do PFD_{AVG} no intervalo de teste de verificação para o 700AC.

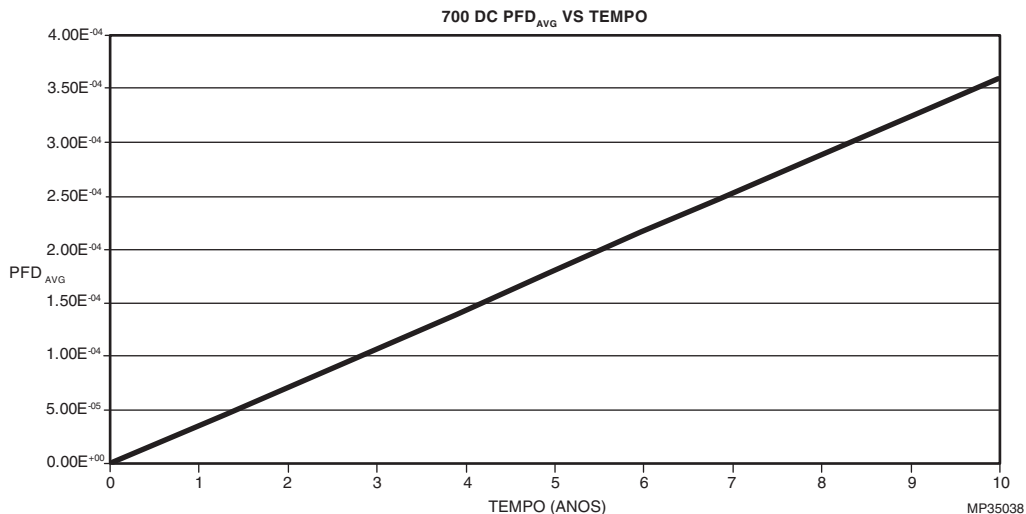


Fig. 29. Dependência do PFD_{AVG} no intervalo de teste de verificação para o 700DC.

Procedimento de Teste de Verificação dos Processadores de Sinal 700AC e 700DC

Equipamento

- 700AC ou 700DC ligado e corretamente conectado a um sensor de chama compatível.
- Multímetro capaz de fazer medições de tensão e resistência.
- Para processadores de sinal 700AC, uma fonte de alimentação de 85V CA a 265V CA.
- Para processadores de sinal 700DC, uma fonte de alimentação de 22V CC a 26V CC.
- Fonte de luz* capaz de gerar uma condição de chama acesa. * Geralmente uma lâmpada incandescente serve para sensores de chama IR e uma luz de UV profunda ou chama serve para sensores UV.

Configuração

1. Verifique se o processador de sinal 700AC ou 700DC sob teste está conectado corretamente a um sensor de chama compatível e está em pleno funcionamento.
2. Enquanto estiver executando o teste, desconecte ou desconsidere as saídas do processador de sinal para que todas as saídas decorrentes do teste não afetem o sistema de segurança em geral e causem uma possível situação perigosa.
3. Registre todas as configurações programáveis de usuário inseridas anteriormente para que você possa restaurá-las aos seus valores desejados após o teste de verificação.

Testes

1. Remova energia ao processador de sinal e, com um multímetro, certifique-se de que haja continuidade entre o 'SC COM' e 'SC OFF'.
2. Reaplique energia ao processador de sinal e, com um multímetro, certifique-se de que haja continuidade entre o 'SC COM' e 'SC ON'.
3. Use uma fonte de luz para gerar uma condição de Flame on e, com um multímetro, certifique-se de que

haja continuidade entre 'RF A COM' e 'RF A ON', e entre 'RF B COM' e 'RF B ON'.

4. Remova qualquer fonte de luz para gerar uma condição de Flame off e, com um multímetro, certifique-se de que haja continuidade entre 'RF A COM' e 'RF A OFF', e entre 'RF B COM' e 'RF B OFF', depois de decorrido o FFRT (tempo de resposta de falha de chama).
5. Meça o consumo de corrente do processador de sinal com o sensor de chama ligado e garanta que ele é menor do que 0,07A RMS para processadores de sinal 700AC e 250mA para processadores de sinal 700DC.
6. Meça a tensão CC entre o aterramento 'VH GND' e 'VH + V' indo para o sensor de chama. Certifique-se de que está entre 20 e 26 V CC.
7. Altere uma das configurações do processador de sinais e armazene a configuração alterada. Remova a energia para o processador de sinal por 10 segundos. Restaure a energia ao processador de sinal e certifique-se de que o valor armazenado tenha permanecido inalterado.
8. Use sua fonte de luz para gerar medições de chama entre 12 e 22 no processador de sinal. Observe a medição da chama.
 - a. Aumente o ganho e armazene a configuração. Certifique-se de que a medição de chama seja aumentada.
 - b. Reduza o ganho e armazene a configuração. Certifique-se de que a medição de chama seja reduzida.
9. Restaure todas as configurações originais, de acordo com o registrado no Setup (Configuração) e reconecte processador de sinal ao sistema de segurança.

Descomissionamento do produto

Quando necessário, o descomissionamento do 700 deve ser realizado de acordo com as exigências do sistema geral de segurança.

MANUAL DE SEGURANÇA: SENSOR DE CHAMA S70X E 80X

Declaração de Produto S702, S706, S802 e S806

PARA USO EM APLICAÇÕES DE SEGURANÇA DE BAIXA DEMANDA.

Modelos: S702, S702-PF, S706, S706-PF, S802, S806

Modelos	SIL	HFT	SFF	PFD	λ_s	λ_{dd}	λ_{du}
S702 e S802	3	0	>99%	$1,81 \times 10^{-10}$	$1,70 \times 10^{-7}$	$2,27 \times 10^{-11}$	0
S706 e S806	3	0	>99%	$1,51 \times 10^{-5}$	$1,02 \times 10^{-5}$	$2,27 \times 10^{-11}$	$6,90 \times 10^{-10}$

Arquitetura do sistema	1oo1
MTTR (Tempo Médio para Restauração)	8 horas
Intervalo de Teste de Verificação	5 anos
Para uso em	SIL 3 ambiente

Tabela 6. Definições.

Termo	Definição
Falha Perigosa	Falha que tem o potencial de colocar o sistema relacionado à segurança em um estado de perigo ou de falha de funcionamento
Sistema Relacionado à Segurança	Um sistema que implementa as funções de segurança necessárias e exigidas para atingir ou manter um estado seguro e destinado a atingir isoladamente ou com outros sistemas a integridade de segurança necessária para as funções de segurança necessárias.
Função de Segurança	Função definida, que é realizada por um sistema relacionado à segurança com o objetivo de atingir ou manter um estado seguro para a fábrica, no que diz respeito a um evento específico de perigo.
Teste de Verificação	Teste periódico realizado para detectar falhas de segurança em um sistema relacionado à segurança, para que, se necessário, o sistema possa ser restaurado para uma condição de "novo" ou o mais próximo possível dessa condição.
MTTR (Tempo Médio para Restauração)	Média de duração necessária para restauração de operações após uma falha.
λ_{sd}	Taxa de falhas detectáveis seguras por um bilhão de horas. Por exemplo, se $\lambda_{sd} = 3000$, a estimativa é de que haverá cerca de 3.000 falhas detectáveis durante todo bilhão de horas de operação. Para $\lambda_{sd} = 3000$, haverá uma falha detectável segura a cada 38 anos.
λ_{su}	Taxa de falhas não detectáveis seguras por um bilhão de horas.
λ_{dd}	Taxa de falhas detectáveis perigosas por um bilhão de horas.
λ_{du}	Taxa de falhas não detectáveis seguras por um bilhão de horas.
HFT	Tolerância de falha de hardware
Arquitetura do sistema	Configuração específica de elementos de hardware e software em um sistema.
PFD _{AVG} (Average Probability of Failure on Demand)	Probabilidade média de ocorrência de uma falha perigosa. Neste caso, no que diz respeito aos sensores de chama S702, S706, S802 e S806.
FIT (Falhas em um dado Tempo)	Uma unidade de medida que representa uma falha por bilhão de horas. 1.000.000.000 horas são aproximadamente 114.155,25 anos.

Função de Segurança do S702, S706, S802 e S806

Os sensores de chama S702, S706, S802 e S806 não possuem uma função de segurança. Eles são usados para fornecer informações intensidade da chama por meio de cabos para os Modelos de Processadores de Sinal 531AC, 531DC, 532AC, 532DC, 700AC, 700DC e 800 que usam Relés de Chama para fornecer uma função de segurança.

Intervalo de Teste de Verificação dos Sensores de Chama S70X e S80X

O teste de verificação precisa ser conduzido a cada 1 a 5 anos. Esta variação é dada para permitir que o teste seja executado durante o período normal de fechamento programado do queimador. O usuário é responsável por desempenhar o teste de verificação no intervalo de tempo especificado.

O seguinte diagrama apresenta a dependência do PFD_{AVG} no intervalo de teste de verificação. O PFD_{AVG} aumenta à medida que o intervalo de teste de verificação aumenta.

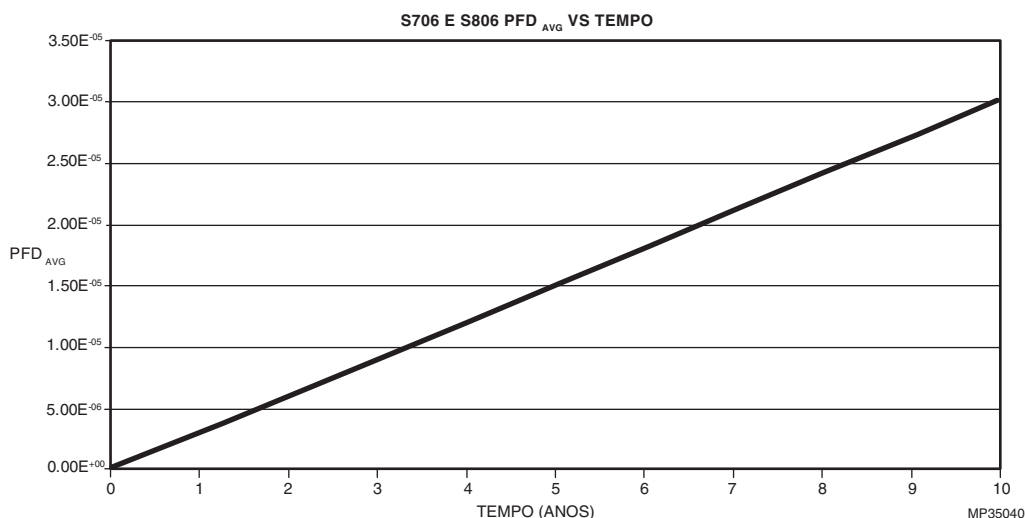


Fig. 30. Dependência do PFD_{AVG} no intervalo de teste de verificação para o S706 e o S806.

Procedimento de Teste de Verificação dos Sensores de Chama S70X e S80X

Equipamento

1. Processador de Sinal 700 ou P532 ligado aos sensores de chama S702, S706, S802 ou S806.
2. Fonte de alimentação para o modelo DC de processador de sinal DC e fonte de alimentação AC para o modelo AC.
3. Uma fonte capaz de gerar sinais UV ou IR conforme necessário.
3. Registre todas as configurações programáveis de usuário inseridas anteriormente para que você possa restaurá-las aos seus valores desejados após o teste de verificação.

OBSERVAÇÃO: Para UV use Honeywell UVsource. Para IR, conecte uma lâmpada incandescente à fonte CA.

Testes

OBSERVAÇÃO: Os sensores de chama S702 e S802 devem ser iluminados por uma fonte de luz infravermelha. Os sensores de chama S706 e S806 devem ser iluminados por uma fonte de luz ultravioleta.

Configuração

1. Verifique se o sensor de chama S702, S706, S802 ou S806 em teste está conectado corretamente a um processador de sinal compatível.
2. Enquanto estiver executando o teste, desconecte ou desconsidere as saídas do processador de sinal para que todas as saídas decorrentes do teste não afetem o sistema de segurança em geral e causem uma possível situação perigosa.
1. Ligue o processador de sinal, ilumine totalmente o sensor de chama com a fonte de luz e garanta que uma situação Flame on seja indicada pelo processador de sinal.
2. Aos poucos, mude o ângulo da fonte de luz em direção ao sensor de chama. Assegure-se de que a medição diminua até que uma condição Flame Off seja indicada pelo processador de sinal.

3. Cubra a extremidade do sensor de chama com sua mão e assegure-se de que o processador de sinal indique uma medição de chama "zero".
4. Para os modelos de processadores de sinal 531AC, 531DC, 532AC e 532DC, use uma fonte de luz para gerar uma medição de chama entre 1200 e 2800 e observe a medição de chama. Para os modelos de processadores de sinal 700AC, 700DC e 800, use uma fonte de luz para gerar uma medição de chama de entre 12 e 22 e observe a medição de chama.
 - a. Aumente o ganho e armazene a configuração. Certifique-se de que a medição de chama seja aumentada.
 - b. Reduza o ganho e armazene a configuração. Certifique-se de que a medição de chama seja reduzida.
5. Restaure todas as configurações originais, de acordo com o registrado no Setup e reconecte processador de sinal ao sistema de segurança.

Descomissionamento do produto

Quando necessário, o descomissionamento dos sensores de chama S70X e S80X devem ser realizados de acordo com as exigências do sistema geral de segurança.

Para mais informações

A família de produtos para soluções térmicas Honeywell inclui Honeywell Combustion Safety, Eclipse, Exothermics, Hauck, Kromschröder e Maxon. Para saber mais sobre nossos produtos, visite ThermalSolutions.honeywell.com ou entre em contato com um engenheiro de vendas da Honeywell.

Produtos da marca MAXON Honeywell

201 E 18th Street
Muncie, IN 47302
USA
www.maxoncorp.com

Honeywell Process Solutions

Honeywell Thermal Solutions (HTS)
1250 West Sam Houston Parkway
South Houston, TX 77042
ThermalSolutions.honeywell