

## R4795A Flame Safeguard Primary Controls

*The R4795A Protectorelay™ Primary Control provides solid state electronic flame safeguard protection for commercial and industrial gas or oil burners. It provides a prepurge period before each start, and intermittent pilot.*



- 120V models meet the requirements of Underwriters Laboratories Inc. Standard 795 for mechanical draft and atmospheric burner inputs from 400,000 to 2,500,000 Btu.
- Meets Underwriters Laboratories Inc. requirements for oil burner group 8 when 30, 60, or 90 second prepurge timer is used.
- Selection of solid state, plug-in prepurge timers provides 7, 10, 30, 60, or 90 second prepurge time.
- Includes terminals for connection of air flow switch to prove airflow before prepurge period starts, during purge, and during the entire Run period.
- Choice of interchangeable, color-coded, solid state, plug-in flame signal amplifiers allows use with rectification or ultraviolet type flame detectors.
- Safe-start feature prevents start when flame or flame simulating condition is present.
- Recycles through prepurge if the flame goes out while burner is running. If pilot flame is not re-established, safety switch trips and locks out system.
- A tripped safety switch must be manually reset to restore operation.
- Push-to-reset safety switch is dust-resistant enclosed.
- Optional spdt alarm contacts operate external alarm on safety switch lockout.
- Ignition interference circuit (rectification amplifier only) protects electronic network from high voltage ignition crossover and provides visual indication when interference occurs.

- Solid state circuitry eliminates vacuum tube replacement and increases resistance to vibration. Application of power not required during Off cycle; no tube warmup before starting.
- Easy-to-replace plug-in components result in faster service and reduced inventory.
- Flame current jack, located on the amplifier, provides means of plugging in a microammeter to measure the flame signal with system operating.
- Easy mounting and removal through use of captive mounting screws, which also serve as electrical connections.
- Durable thermoplastic mounting base.
- Models available with -40°F (-40°C) temperature rating.

### CONTENTS

<i>Specifications</i> .....	2
<i>Ordering Information</i> .....	2
<i>Installation</i> .....	4
<i>Checkout</i> .....	8
<i>Operation</i> .....	11
<i>Troubleshooting</i> .....	11
<i>Service</i> .....	13



## Specifications

R4795A Flame Safeguard Primary Control recycles once after flame failure to try to re-establish pilot before lockout. Use with R7289A Amplifier and rectifying flame rod, rectifying photocell, or C7012A,C Purple Peeper Ultraviolet Flame Detector; or with R7290A Amplifier and C7027A, C7035A, or C7044A Minipeeper Ultraviolet Flame Detector.

### AMBIENT TEMPERATURE RATINGS:

Minimum: -20°F (-29°C). Special models to -40°F (-40°C).  
Maximum: +125°F (52°C) at 60 Hz; +115°F (46°C) at 50 Hz. -40°F (-40°C) models have maximum ambient of +115°F (46°C) at 60 Hz, +105°F (40°C) at 50 Hz. Subtract 10°F (6°C) when optional alarm contacts are included.

### ELECTRICAL RATINGS:

Voltage and Frequency: Single voltage models only: 100V, 120V, 200V, 220V, 50/60 Hz. As ordered.

### Power Consumption (at 60 Hz):

6.0W max using rectifying flame rod or photocell.  
8.0W max using ultraviolet flame detector.

FLAME FAILURE RESPONSE TIME: 0.8 or 3 seconds nominal, as ordered.

SAFETY SWITCH TIMING (LOCKOUT TIMING): 15 seconds nominal.

RECYCLE TIME: Almost immediate after Flame Failure Response Time.

FLAME ESTABLISHING PERIOD: May last up to safety switch lockout time or until flame is recognized by device.

ALARM CONTACTS (Optional): Isolated spdt contacts. Male quick-connect terminals (female quick-connects included). See Terminal Ratings. -40°F (-40°C) models have isolated spdt alarm contacts.

## Ordering Information

When purchasing replacement and modernization products from your TRADELINE® wholesaler or your distributor, refer to the TRADELINE® catalog or price sheets for complete ordering number, or specify:

1. Order number.
2. Voltage and frequency.
3. Flame failure response time.
4. Alarm contacts, if desired (included with -40°F [-40°C] models.)

Order separately:

1. R7289A Rectification Amplifier, or R7290A Ultraviolet Amplifier. Specify flame failure response time.
2. Flame detector to match amplifier.
3. Plug-in prepurge timer model number and timing (7, 10, 30, 60, or 90 seconds).
4. Q270A1024 Mounting Subbase.
5. Accessories, if desired.

If you have additional questions, need further information, or would like to comment on our products or services, please write or phone:

1. Your local Honeywell Home and Building Control sales office (check white pages of phone directory).
2. Home and Building Control Customer Logistics  
Honeywell Inc., 1985 Douglas Drive North  
Minneapolis, Minnesota 55422-4386

In Canada—Honeywell Controls Limited/Honeywell Limitée, 35 Dynamic Drive, Scarborough, Ontario M1V 4Z9. International sales and service offices in all principal cities of the world. Manufacturing in Australia, Canada, Finland, France, Germany, Japan, Mexico, Netherlands, Taiwan, United Kingdom, U.S.A.

TERMINAL RATINGS:

Terminal	Load	Rating
3	Pilot Valve	125 VA pilot duty.
	Intermittent Ignition <sup>a</sup>	360 VA.
4	Interrupted Ignition	360 VA.
5	Main Fuel Valve(s)	125 VA pilot duty, or 25 VA pilot duty plus one or more motorized valves with total rating up to 400 VA opening, 200 VA holding.
6-7	Airflow Switch	0.6A at 30 Vdc.
8	Fan or Burner Motor	9.8A full load, 58.8A locked rotor (inrush) at 120 Vac. 4.9A full load, 29.4A locked rotor (inrush at 220 and 240 Vac.
Isolated Spdt Alarm Terminals (Optional)	Alarm	3A at 24 volts, or 1A at 120 volts, in a suitable wiring enclosure.

<sup>a</sup> When ignition is connected to terminal 3, terminal 4 cannot be used.

NOTE: Allowable inrush can be up to ten times the pilot duty rating.

Example:

Pilot duty rating = 125 VA.  
At 120V, running current is  $125/120 = 1.05A$ .  
Maximum allowable inrush is 10 times  $1.05 = 10.5A$ .

DIMENSIONS (Includes Cover and Subbase): Approximately 5 x 5 x 5 in. (127 x 127 x 127 mm).

MOUNTING: Q270A1024 Subbase. Ordered separately.

APPROVALS:

Underwriters Laboratories Inc Listed: 120V models using 30, 60, or 90 second prepurge timers including -40°F (-40°C) rated models; file no. MP268, guide no. MCCZ.

Underwriters Laboratories Inc. Component Recognized: 120 volt models using 7 or 10 second prepurge timers including -40°F (-40°C) rated models; file no. MP268, guide no. MCCZ2.

Canadian Standards Association Certified: 120V models only, including -40°F (-40°C) rated models; file no. LR95329.

Factory Mutual Approved: R4795A 120V models; report no. 18774. -40°F (-40°C) rated models; report no. 19608.1.

American Gas Association Design Certified: File no. 21-6 (F and F1).

ACCESSORIES:

W136A Test Meter (includes 117053 Meter Connector Plug).

Flame Simulator:

203659 Ultraviolet

121708 Rectification

123514B Ultraviolet

117053 Meter Connector Plug

FSP1535 Tester for operational check

Q624 Solid State Spark Generator

118702E Remote Reset Cover, 120 Vac, 60 Hz  
202471C Reset Cover for R4795A

ADDITIONAL CONTROLS:

*Order all additional controls separately:*

Q270A1024 Mounting Subbase.

Plug-In Flame Signal Amplifiers, Rectification Type (Green Backplate): For use with C7004B C7005A, and B, C7008A, or Q179A,C Rectifying Flame Rods (for gas); C7003A, C7010A, C7013A or C7014A Photocells (for oil); or C7012A,C Purple Peeper Ultraviolet Flame Detectors (for gas or oil).

R7289A1004 Amplifier: 3 sec nominal flame failure response.

R7289A1012 Amplifier: 0.8 sec nominal flame failure response.

R7289A1020 Amplifier: 3 sec nominal flame failure response, -40°F (-40°C) ambient temperature.

Ultraviolet Type (Purple Backplate): For use with C7027A, C7035A or C7044A Minipeeper Ultraviolet Flame Detectors (for gas or oil).

R7290A1001 Amplifier: 3 sec nominal flame failure response.

R7290A1019 Amplifier: 0.8 sec nominal flame failure response.

R7290A1027 Amplifier: 3 sec nominal flame failure response, -40°F (-40°C) ambient temperature.

ST71A Plug-In Prepurge Timer (ordered separately):

Minimum Timings: 7, 10, 30, 60, and 90 seconds (as ordered).

Maximum Timings: 8.4, 12, 36, 72, and 108 seconds at room ambient temperature.

Recommended Limits: L404A; L604A,L; L4006A,C,E; L4008A,E,F; L6006A,B: These controllers were Underwriters Laboratories Inc. tested for *breaking* loads only, at 120 Vac, for the total rating of 9.8A full load, plus 360VA ignition, plus 250 VA pilot duty.

Flame Detector: As specified in Plug-In Flame Signal Amplifiers listed above.

# Installation



## CAUTION

1. Installer must be a trained, experienced, flame safeguard control service technician.
2. Disconnect power supply before beginning installation to prevent electrical shock and equipment damage.
3. All wiring must comply with applicable local electrical codes, ordinances, and regulations.
4. Voltage and frequency of the power supply connected to this control must agree with those marked on the device.
5. Loads connected to the control terminals must not exceed those listed in the Specifications section.
6. All external timers must be Listed or Component Recognized by authorities having jurisdiction for the specific purpose for which they are used.
7. Some authorities having jurisdiction prohibit the wiring of any limit or operating contacts in series with the main fuel valve(s).
8. Perform all required checkout tests after installation is complete.

Follow the burner manufacturer's instructions, if supplied. Otherwise proceed as follows.



## CAUTION

Ultraviolet sensing tubes have a life expectancy of 40,000 hours of continuous use within the ambient temperature and voltage ratings. Worn out ultraviolet sensing tubes can result in failure of the sensing tube to properly discriminate between flame conditions.

For systems using R4795A with R7290 Amplifiers, use C7027, C7035 and C7044 Flame Detectors only on burners that cycle On and Off at least once every 24 hours. Appliances with burners that remain on for 24 hours continuously or longer should use the C7012E Flame Detector with the R7247C Amplifier or the C7076A Flame Detector with the R7476A Amplifier as the ultraviolet flame detection system.

### LOCATION

#### Temperature

Install the R4795A where the surrounding temperatures remain within the Ambient Operating Temperature Ratings listed in the Specifications section.

#### Humidity

Install the R4795A where the relative humidity never reaches the saturation point. Condensation of moisture on the R4795A may cause enough leakage to short the flame signal to ground and prevent the burner from starting.

### Vibration

Do not install the R4795A where it could be subject to excessive vibration. Vibration shortens the life of the electronic and mechanical components.

### Weather

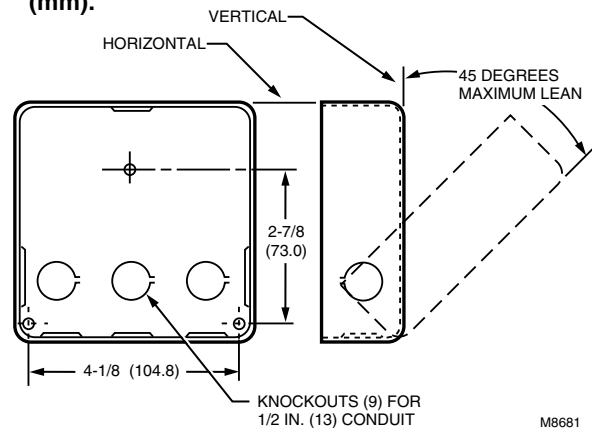
The R4795A is not designed to be weathertight. If it is installed outdoors, use a suitable weathertight enclosure.

### Mounting The Subbase

Locate the subbase where ambient temperature is within the specified rating.

Mount the subbase so the top and bottom are horizontal and the back is vertical. The subbase can lean backward as much as 45 degrees when necessary. See Fig. 1.

Fig. 1—Subbase mounting dimensions in in. (mm).



### WIRING TO SUBBASE

1. All wiring must comply with applicable codes, ordinances, and regulations. All wiring to the Q270A Universal Mounting subbase must be NEC Class 1.
2. When wiring the Q270A for use with the R4795A, use the terminal designations 8, 7, and 6 (printed in yellow).
3. For normal installations, use moisture-resistant No. 14 wire suitable for at least 167°F (75°C).
4. For high temperature installations, use moisture-resistant No. 14 wire selected for a temperature rating above the maximum operating temperature for all but the ignition and flame detector F leadwires.
  - a. For the ignition, use Honeywell Specification no. R1061012 Ignition Cable or equivalent. This wire is rated at 350°F (175°C) for continuous duty, and up to 500°F (260°C) for intermittent use.
  - b. For the flame detector F leadwire, use Honeywell Specification no. R1298020 or equivalent. This wire is rated up to 400°F (205°C) for continuous duty. It is tested for operation up to 600V and breakdown up to 7500V.

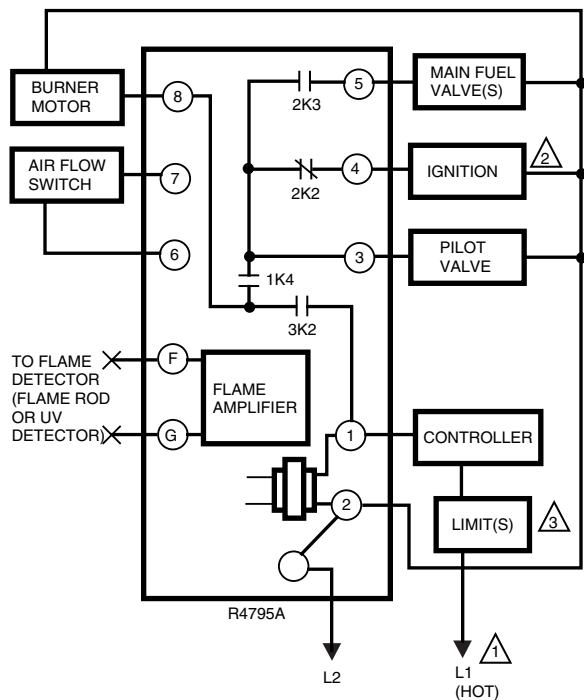
**IMPORTANT:** Do not run high voltage ignition transformer wires in the same conduit with the flame detector wiring.

5. For ignition installations in a contaminating environment, use Honeywell Specification no. R1239001 High Tension Ignition Cable or equivalent. This wire is very resistant to severe conditions of oil, heat, and corona, and is tested to withstand high voltages up to 25,000V rms in a salt bath for one minute without breakdown. It is rated at 200°F (93°C) for continuous duty and up to 350°F (75°C) for intermittent use.

### Wiring Hookups

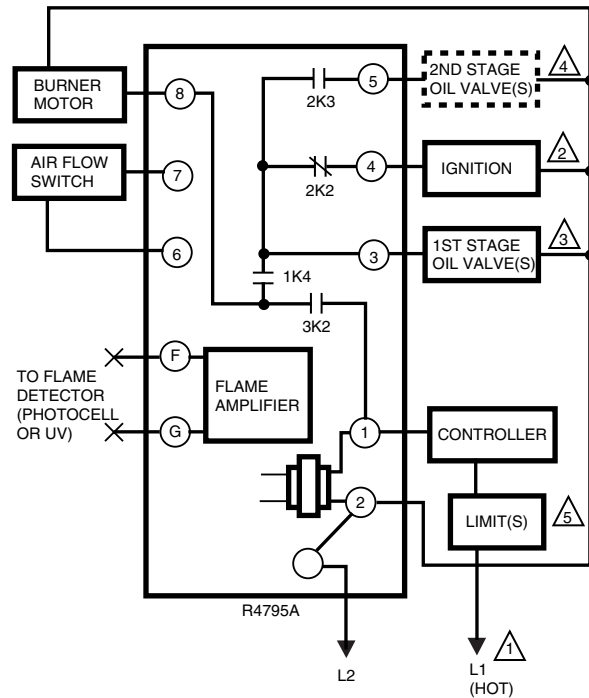
The typical wiring hookups in Fig. 2 and 3 show the internal line voltage schematic. Contact 3K2 closes when the controller calls for heat. 1K4 closes when prepurge is complete. 2K2 breaks and 2K3 makes when flame is proven. Also see the Operation section.

**Fig. 2—Wiring hookup of gas system with interrupted ignition and intermittent pilot.**



- ⚠️ 1 POWER SUPPLY. PROVIDE DISCONNECT MEANS AND OVERLOAD PROTECTION AS REQUIRED.
  - ⚠️ 2 FOR INTERMITTENT IGNITION, CONNECT IGNITION TO TERMINAL 3.
  - ⚠️ 3 REFER TO SPECIFICATIONS SECTION FOR RECOMMENDED LIMITS.
- M8682

**Fig. 3—Wiring hookup of oil system with interrupted ignition.**



- ⚠️ 1 POWER SUPPLY. PROVIDE DISCONNECT MEANS AND OVERLOAD PROTECTION AS REQUIRED.
- ⚠️ 2 FOR INTERMITTENT IGNITION, CONNECT IGNITION TO TERMINAL 3.
- ⚠️ 3 IMMEDIATE OPENING OIL VALVE V4046B.
- ⚠️ 4 OPTIONAL DELAYED OPENING OIL VALVE V4046A OR V4046B WITH ST70A ELECTRONIC TIME DELAY.
- ⚠️ 5 REFER TO SPECIFICATIONS SECTION FOR RECOMMENDED LIMITS.

M8683

### Retrofitting R4795

## ⚠️ CAUTION

Make wiring connections as specified in Fig. 2, 3, or 4. Do not simply plug the R4795 into the old subbase without first changing the wiring at the subbase.

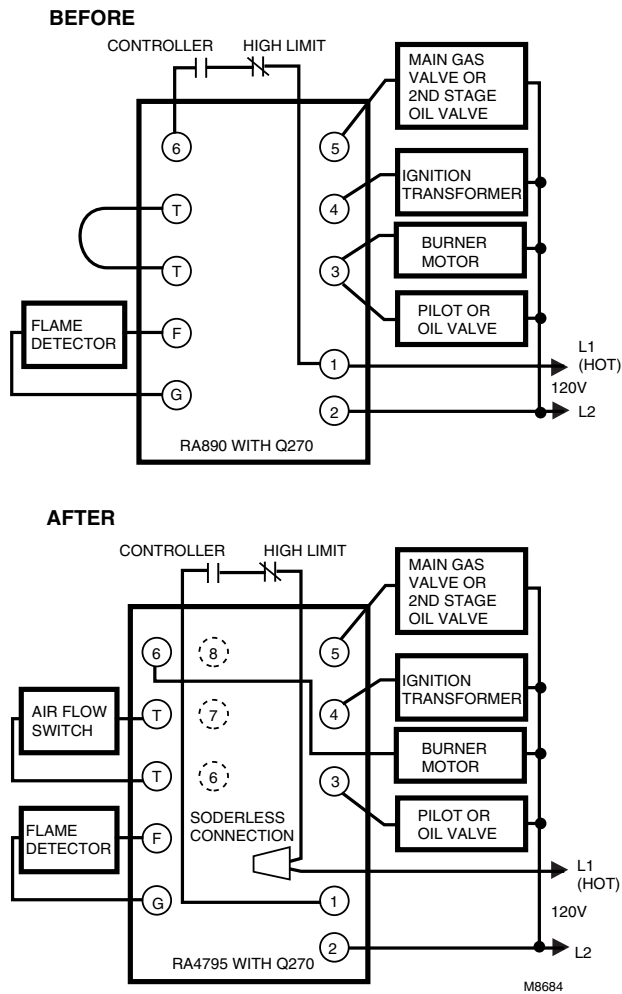
- Observe the following when retrofitting the R4795:
1. Requires a line voltage controller capable of switching the entire connected electrical load.
  2. Delayed opening oil valve may be retained but its delay is not necessary. Integral ST71A Purge Timer meets the intent of a delayed opening valve.
  3. Refer to Fig. 2, 3 or 4 for proper wiring connections.

**Replacing RA890E,F,G with R4795A**

1. Disconnect all wires from terminal 1, and splice with solderless connector. (If RA890 has no terminal 1 wiring, disregard this step.)
2. Remove line voltage controller wire from terminal 6 and connect to terminal 1.
3. Move burner motor connection from terminal 3 to terminal 6 on subbase.
4. Remove jumper from T and T and install air switch. If low voltage control was wired to RA890 T-T, remove low voltage control and install line voltage control as shown in Fig. 4.
5. If R482D Relay was used with RA890E, remove it. The R482D is redundant when R4795D is used.
6. Check for proper operation through at least two cycles.

**Fig. 4—Replacing RA890E,F,G with R4795A on gas or oil burner.**

**REPLACING RA890 WITH R4795 ON GAS OR OIL BURNER**



**R4795C Replacement**

In most cases, the R4795A can directly replace the R4795C. For standing pilot applications where the pilot flame was detected during the off cycle, install a relay as shown in Fig. 5.

**Flame Detector Wiring**

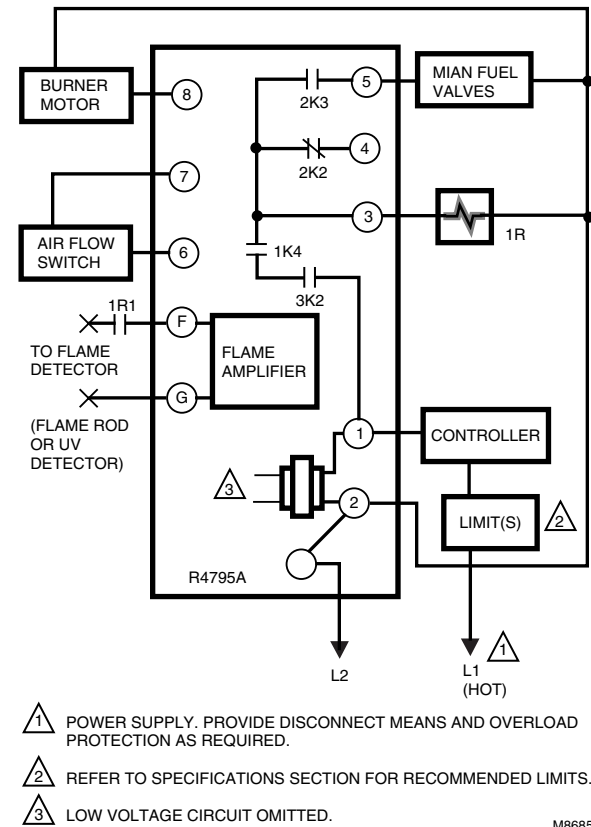
See Fig. 6.

**Alarm Contacts**

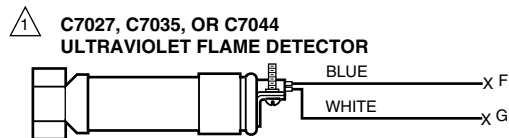
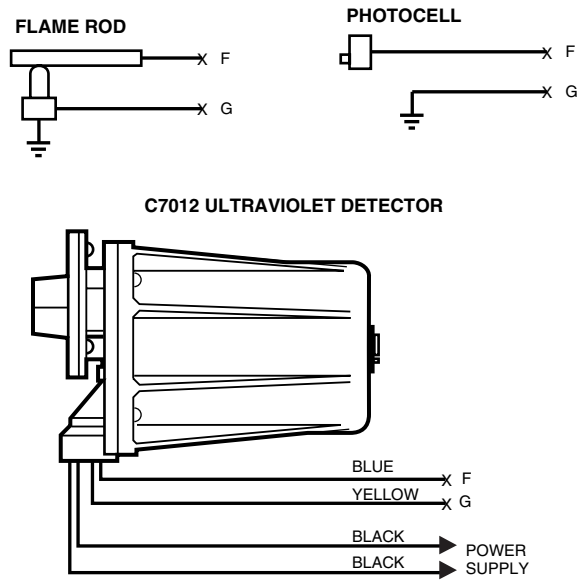
Models with alarm contacts have three male quick-connect terminals. Three female quick-connect terminals are provided for field installation. To connect leadwires to the female quick-connects, strip 1/4 inch (6.4 mm) insulation from end of leadwire; insert into the quick-connect, and crimp securely with a crimping tool. Fig. 7 shows proper alarm terminal connections.

If a line voltage alarm is used with the R4795, mount the entire control in a suitable enclosure.

**Fig. 5—When R4795A replaces R4795C in a standing pilot application, install relay 1R to prevent detection of pilot flame during burner off cycle.**



**Fig. 6—Flame detector wiring.**



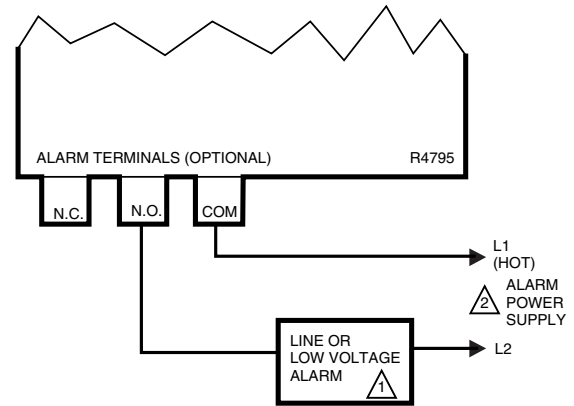
**⚠** C7027, C7035, AND C7044 FLAME DETECTOR LEADS ARE COLOR CODED BLUE AND WHITE. THE BLUE LEAD MUST BE CONNECTED TO THE F TERMINAL AND THE WHITE LEAD MUST BE CONNECTED TO THE G TERMINAL. THIS CIRCUIT IS DC AND THE UV SENSING TUBE IS POLARITY SENSITIVE. REVERSING THE LEADS EVEN MOMENTARILY CAN DAMAGE OR DESTROY THE UV TUBE.

M8686

**Mounting R4795 On Subbase**

Make sure that the power supply is disconnected.  
Loosen the thumbscrew and remove the cover (see Fig. 8).  
Position the R4795 over the Q270 Subbase. Start all ten mounting screws and tighten uniformly. These screws complete electrical circuits (terminal 1 excepted) and hold the R4795 to the subbase.

**Fig. 7—Alarm terminal connections.**



**⚠** IF A LINE VOLTAGE ALARM IS USED, THE R4795 MUST BE MOUNTED IN A SUITABLE ENCLOSURE.  
**⚠** POWER SUPPLY MUST MATCH THE ELECTRICAL RATINGS OF THE ALARM. PROVIDE DISCONNECT MEANS AND OVERLOAD PROTECTION AS REQUIRED.

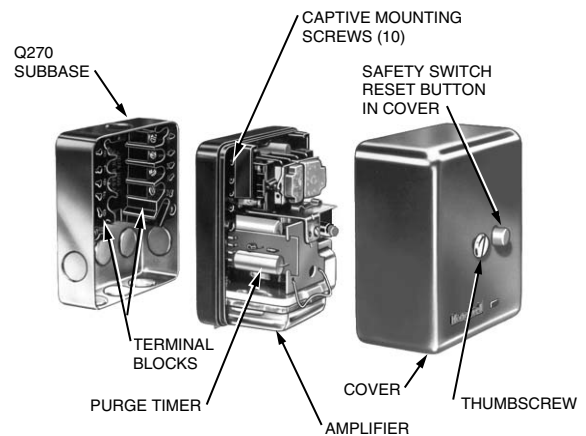
M8687

**⚠ CAUTION**

Do not overtighten the mounting screws because damage to the circuit board can result. Maximum recommended torque is 10 lb-in. (1.13 N•m).

Replace cover and securely tighten thumbscrew.

**Fig. 8—R4795 and Q270 Subbase.**



M8688



## CAUTION

Use extreme care while testing the R4795; line voltage can be present on most terminals when the power is On.

### CHECKOUT SUMMARY

The following list summarizes the checkout tests required for each type of installation. Instructions for each test are included in this section.

Preliminary Inspection: All installations.

Flame Current Check: All installations.

Pilot Turndown Test: If a pilot must be proved before the main fuel valves can open.

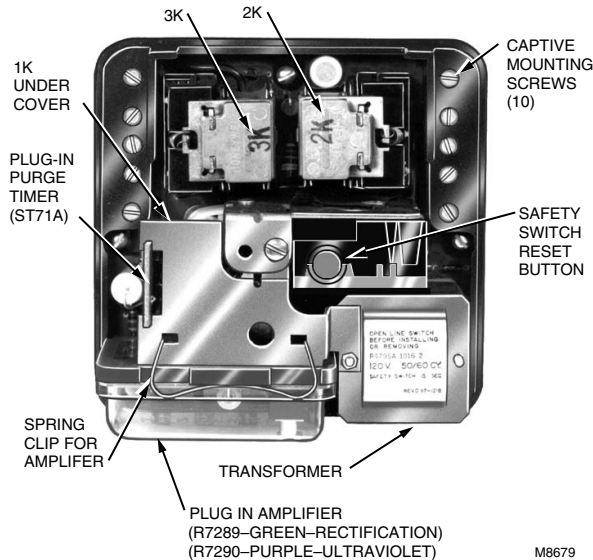
Hot Refractory Hold-in Test: Photocell oil installations only.

Ignition Spark Response Test: All ultraviolet detector applications.

Safe Shutdown Tests: All installations.

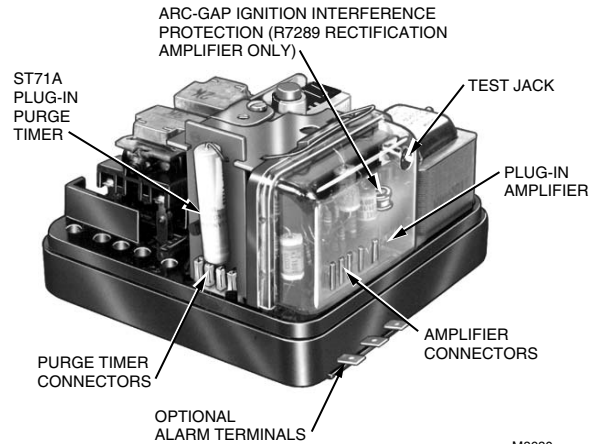
Refer to Fig. 2 to 3 for terminal location, and to Fig. 9 and 10 for location of component parts. Loosen thumbscrew to remove cover.

Fig. 9—Internal components of R4795A.



M8679

Fig. 10—Internal view showing amplifier and test jack for flame current test.



M8680

### PRELIMINARY INSPECTION

Make certain that:

1. Wiring connections are correct and all terminal screws are tight. Use a meter to check the continuity of all circuits.
2. Flame detector is installed and positioned properly. Consult the appropriate installation instructions.
3. Ambient temperature at flame detector does not exceed maximum rated temperature.
4. Correct combination of amplifier and flame detector is used. Refer to Plug-In Flame Signal Amplifiers in Specifications section.
5. Burner is completely installed and ready to fire; fuel lines are purged of air.
6. Combustion chamber and flues are clear of fuel.
7. Power is connected to system disconnect switch (master switch).
8. Safety switch is reset; push in and then release the green safety switch.
9. All limits and interlocks are reset.

**IMPORTANT:** Anytime you reset the safety switch, wait at least one minute after it trips to allow the heater to cool before pushing in the reset button.



## CAUTION

Make initial pilot lightoff with manual main fuel shutoff cock closed.

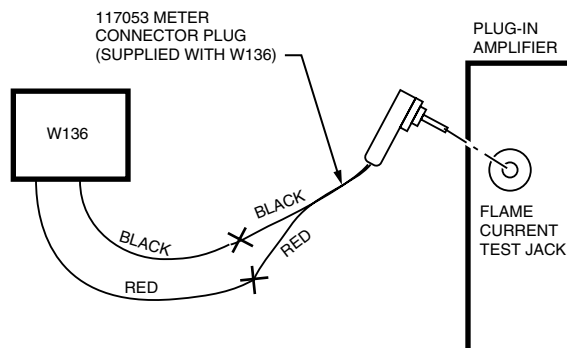


## FLAME CURRENT CHECK

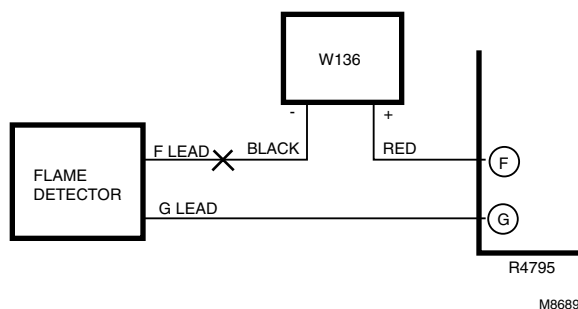
The flame current check is the best indicator of proper flame detector application. Perform the check at the time of installation, and at any time service is done on the system, and at least once a month, or more often, while the system is in operation. This prevents shutdowns due to poor flame signal.

Test by connecting a W136 (or equivalent) to the amplifier and reading the flame current while the burner is operating. (Fig. 11).

**Fig. 11—Connecting meter to read flame current.**



IF 117053 METER CONNECTOR PLUG IS NOT AVAILABLE  
(R7289A RECTIFICATION AMPLIFIER ONLY)



Insert a 117053 Meter Connector Plug, wired color-to-color to the W136 leadwires, into the test jack on the amplifier (Fig. 10). This automatically puts the microammeter in series with the flame detector.

If an R7289A Rectification Type Amplifier is used and a meter connector plug is not available, disconnect the flame detector lead from the F terminal; then connect this lead to the Black lead of the microammeter, and connect the Red lead of the microammeter to the F terminal.

**NOTE:** If an R7290A Ultraviolet Type Amplifier is used, the flame current *cannot* be read by connecting a microammeter in series with the F lead.

When reading the flame current, assure that the following criteria are met:

1. The flame current is steady; meter does not vary more than a needle width.

2. The flame current is at least two microamperes for R7289A Rectification Amplifier (color-coded green), or at least 1.5 microamperes for an R7290A Ultraviolet Amplifier (color-coded violet).

IF A STEADY READING OF AT LEAST MINIMUM STRENGTH CANNOT BE OBTAINED, ONE OR MORE OF THE FOLLOWING CONDITIONS CAN EXIST:

- Improper supply voltage.
- Defective flame detector wiring including:
  - Open circuits.
  - Short circuits.
  - High resistance shorts caused by moisture, accumulated dirt, or an improper choice of detector leadwire for the particular installation.
- Improper sighting, improper viewing window, or dirty viewing window for optical detectors.
- Improper application of a flame rod including:
  - Insufficient ground area.
  - Poor location of flame rod in flame.
  - Excessive heat on flame rod insulator, greater than 600°F (316°C).
  - Ignition interference.
- Improper application of a vacuum photocell including:
  - Temperature over 165°F (74°C) at photocell.
  - Dirty photocell envelope.
- Defective sensor.

## PILOT TURNDOWN TEST

**IMPORTANT:** If the R4795 is used to prove a pilot flame, perform the following Turndown Test to assure that the main burner can be lit by the smallest pilot flame that will hold in the 2K (flame) relay.

1. Shut off the fuel supply to the main burner *only* by closing the manual main burner shutoff cock. *Do not* shut off fuel supply to the pilot valve.
2. Start the system by raising the setpoint of the controller (or pressing the START button). After prepurge is completed, the pilot will light and pull in the flame relay.
3. Reduce the size of the pilot flame to the turndown condition by slowly closing the manual valve on the pilot gas line. At the turndown condition, the pilot will be small enough so it just barely holds in the flame relay (2K).
  - a. Slowly turn down the pilot until the flame relay drops out.
  - b. Allow the control to complete prepurge.
  - c. As the control attempts to restart the pilot, turn the pilot back up slowly just until relay 2K pulls back in. You will have 15 seconds to complete this step before lockout occurs.
  - d. Again turn the pilot down *slightly* but not enough so the flame relay drops out. If the relay drops out, simply allow the control to complete the purge period and then turn the pilot back up to pull in the flame relay as in step c. above. The closer the pilot is to the dropout condition, the more conclusive the test will be.



## CAUTION

Do not manually push in the relays.

4. Check that the pilot is lit and relay 2K is pulled in.
5. Open the manual main burner shutoff cock. Main flame should light within one second. If the burner does not light within one second, close the shutoff cock and shut off power to the relay. Proceed to step 7.
6. If the burner lights, repeat step 5 two or three times to verify lightoff.
7. If the lightoff is unsatisfactory, readjust the flame detector to require a larger pilot flame to hold in the flame relay. This usually requires:
  - a. Resighting a photocell or UV type detector farther out on the axis of a pilot flame, or
  - b. Adjusting a flame rod detector so that a larger minimum pilot is required.
8. Repeat the entire turndown test until the flame is established promptly in step 5.
9. Turn up the pilot to full flame at the test completion.

### HOT REFRACTORY HOLD-IN TEST (PHOTOCELL OIL INSTALLATIONS ONLY)

If hot refractory holds in the flame relay at the end of the burner-on cycle, the system cannot restart until the relay drops out. Check for hot refractory hold-in by observing the flame relay for immediate dropout at the end of a long burner-on period. If the relay does not drop out, resight the photocell so it does not sight the refractory, or decrease photocell sensitivity using aperture disks or filters.

### IGNITION SPARK RESPONSE TEST (UV DETECTORS)

The flame relay should not respond (pull in) to ignition spark. To determine flame detector sensitivity to ignition spark, perform the following test:

1. Shut the pilot and main fuel manual valves.
2. Start the system by raising the controller setpoint or pressing the START button. This should energize the ignition transformer so spark is produced between the electrode and ground.
3. Check the flame relay 2K. The relay should not pull in. The flame signal current should not be more than one-fourth microampere.

4. If relay 2K does pull in, resight the detector farther out from the spark, or away from possible reflection. It may be necessary to construct a barrier to block the ignition spark from the detector view. Continue adjustments until flame detector does not respond to the ignition spark.

**IMPORTANT:** Repeat ALL required checkout tests after all adjustments are complete. ALL tests must be satisfactory when the flame detector is in its FINAL position.

### SAFE SHUTDOWN CHECKS

#### Limit Action

With the burner operating, lower the high limit setting to simulate an overheated boiler or furnace. Normal shutdown should occur. Restore the normal limit setting; the burner should go through a normal prepurge and start.

Using manual reset limits is desirable to prevent the system from cycling off the high limit and to assure that the condition that caused the limit action is detected as soon as possible.

#### Flame Failure

Let burner operate five minutes; then manually shut off fuel supply to simulate flame failure. Relay should drop out and fuel valve(s) close. The system will purge and then lock out on safety. Let the safety switch cool for one minute; reopen manual fuel valve, and reset safety switch. Burner should start.

#### Power Failure

Let the burner run five minutes. Then simulate power failure by opening the line switch. All relays should drop out and the fuel valves should close. After a minimum of five seconds, close the line switch. The R4795 should go through a normal cycle.

**IMPORTANT:** At the completion of all Checkout tests, make sure that the R4795 is not on safety lockout, that the pilot is turned up to its normal level, and that all limit settings are correct. Operate the system through one normal cycle. Replace cover and securely tighten thumbscrew.

# Operation

## NORMAL OPERATION (REFER TO FIG. 2 AND 3.)

Call for Heat (Limit Switch Closed)	Terminal 1 energized. Relay 3K pulls in to close contact 3K2 and energize terminal 8 fan or burner motor.
Airflow Proved	Low voltage airflow switch between terminals 6 and 7 closes to energize the purge timer.
Prepurge Complete (7, 10, 30, 60, or 90 Seconds)	Relay 1K pulls in to close contact 1K4 and energize terminal 3 (pilot valve, first stage oil valve(s), or expanding pilot valve) directly and terminal 4 (ignition) through the closed flame relay contact 2K2. Contact 1K1 closes to energize the safety switch heater.
Flame Proven (Pilot or First Stage Oil)	R4795A: Relay 2K pulls in. Contact 2K2 opens to cut off ignition, contact 2K3 closes to energize the main fuel valve(s) or second stage oil valve(s). Contact 2K1 opens to de-energize the safety switch heater and reset the purge timer.
Controller Satisfied	All relays drop out; systems shuts down.

## SAFETY OPERATION

Flame Failure	R4795A: Relays 1K and 2K drop out. Contact 1K4 opens to de-energize terminals 3, 4, and 5. If air is still proven, the prepurge period begins. After prepurge, one attempt is made to start the burner.
Airflow Failure	If airflow fails at any time during the operating cycle, relay 1K drops out. Contact 1K4 opens to de-energize terminals 3, 4, and 5. Only terminal 8, fan or burner motor, remains powered. If air is re-established, the prepurge period starts and the startup sequence is repeated.
Prepurge Timer Failure	If the plug-in purge timer is not properly seated, or is not functioning properly, the fan motor will start on a call for heat, but the 1K relay will not pull in. The result will be a continuous purge (safe failure).
Hot Refractory Hold-in (Photocell Installations)	If hot refractory holds in the flame relay at the end of the running cycle, startup is prevented until the hot refractory no longer holds in the flame relay.

# Troubleshooting

The first step in troubleshooting the R4795A is to determine the location of the system trouble. Reset the safety switch and operate the system on a normal start. Refer to the Normal Operation subsection in the Operation section. Observe the operation carefully to determine at what point the trouble occurs. Then refer to the Trouble List in the Trouble List section and follow the troubleshooting procedure.

**IMPORTANT:** *At the completion of any troubleshooting procedure, be sure to perform the Checkout Tests listed in the Checkout section.*

### PRELIMINARY INSPECTION

1. Disconnect power to the R4795 by opening the system disconnect switch.
2. Remove the R4795 cover. Make sure all mounting screws are tight, and that the plug-in amplifier and purge timer are properly seated; refer to Fig. 10.

3. Reset the safety switch (push in and then release the small round button that extends through the plastic safety switch cover; see Fig. 9).

### TROUBLE LIST

Compare the following list of troubles with the actual deviations from normal operating sequence. Select the applicable letter(s) and proceed to the corresponding Troubleshooting Procedure(s).

- A. Relay 3K does not pull in on a call for heat.
- B. Relay 3K pulls in but the burner motor does not start.
- C. Burner motor starts but prepurge does not stop at end of purge timing (relay 1K does not pull in).
- D. Relay 1K pulls in but the pilot does not light, ignition does not occur, or expanding pilot valve does not open.
- E. Pilot lights but relay 2K does not pull in (control locks out without lighting the main burner).

- F. Pilot lights and relay 2K pulls in but the main burner does not light.
- G. Relay 2K remains in after flame is extinguished.
- H. Miscellaneous problems:
  1. Repeated lockouts or control failures.
  2. Ignition interference (flame rod installations only).

## TROUBLESHOOTING PROCEDURES



### CAUTION

1. Use extreme care while troubleshooting the R4795; line voltage is present on most contacts when power is On.
2. Open the master switch before removing the cover, cleaning contacts, removing R4795 from subbase, or reinstalling R4795 on subbase. See Fig. 9 for relay location.

### IMPORTANT:

1. Clean contacts only when instructed to do so in a troubleshooting procedure. Follow the instructions in Contact Cleaning section.
2. If, after completing an applicable Troubleshooting Procedure, proper operation still cannot be obtained, replace the R4795 (except amplifier and purge timer, unless noted).

#### A. Relay 3K does not pull in on a call for heat

1. Check for power at terminals 1 and 2 with the controller calling for heat.
  - a. Voltage must be within plus 10 to minus 15 percent of the rated voltage for dependable operation.
  - b. If voltage is zero, check the continuity of the limit and controller contacts and check the power supply. Look for blown fuses, open switches, and bad wiring connections.
2. If voltage at terminals 1 and 2 is satisfactory and relay 3K will not pull in, clean the 1K and 3K relay contacts. Press safety switch button several times to clean the contacts. If trouble persists, replace the R4795.

#### B. Relay 3K pulls in but the burner motor does not start

1. Check for power at terminal 8 when the 3K relay pulls in.
  - a. If terminal 8 is not powered, clean the 3K relay contacts and recheck for power. If terminal 8 cannot be powered, replace the R4795.
  - b. If terminal 8 is powered, check the fan or burner motor.

#### C. Burner motor starts but prepurge does not stop at end of purge timing (relay 1K does not pull in)

1. Check the seating of the plug-in purge timer.
2. Check that the airflow switch contacts are making. Approximately 20 Vdc should appear between terminals 7 (plus) and G (minus) when airflow switch contacts are made.

3. Check the position of the flame relay. If relay 2K is pulled in, check for flame simulating condition.
4. If the flame relay is not pulled in, clean the 2K relay contacts.
5. Replace the purge timer with one of the same timing. If problem still continues, replace the R4795.

#### D. Relay 1K pulls in but the pilot does not light, ignition does not occur, or expanding pilot valve does not open

1. Make sure that all manual fuel valves are open.
2. Check voltage between terminals 3 and 2, or 4 and 2, as applicable. (Terminal 3 is used for pilot or first stage oil valve; terminal 4 for ignition.) Check must be made before control locks out on safety.
3. If zero voltage, clean the 1K and 2K relay contacts; then recycle the system and recheck the voltage at terminal 3 or 4. If terminals cannot be powered, replace the R4795.
4. If correct voltage at terminals 3 and 4, check the pilot valve and ignition and the circuits.

#### E. Pilot lights but relay 2K does not pull in (control locks out without lighting the main burner)

1. Use a 121708 Rectification or a 203659 or 123514B Ultraviolet Flame Simulator to check the flame relay. Follow the instructions for the simulator.
2. If no flame simulator is available, do a flame current check. If the flame current is satisfactory, replace the R4795. If the flame current is not satisfactory, recheck all items.

#### F. Pilot lights and relay 2K pulls in but the main burner does not light

1. Check that the manual main fuel valves are all open.
2. Check the voltage at terminal 5 when the 2K relay pulls in.
  - a. If normal voltage at terminal 5, check the main valve and the external valve circuit.
  - b. If zero voltage at terminal 5, clean the 2K relay contacts. If terminal 4 cannot be powered, replace the R4795.

#### G. Relay 2K remains in after flame is extinguished

1. If the flame detector is a rectifying flame rod, install a new plug-in amplifier.
2. If the flame detector is a rectifying photocell or C7012 Ultraviolet Detector, plug the back end of the flame simulator into the jack of the plug-in amplifier.
  - a. If that does not cause relay 2K to drop out, install a new plug-in amplifier.
  - b. If plugging into the meter jack causes relay 2K to drop out, the trouble is caused by hot refractory hold-in, detector failure, or other flame simulating conditions.
    - (1) Resight the photocell at a cooler or more remote area of the refractory.
    - (2) Recheck the flame detector current for the condition recommended in the Checkout section. Replace the detector if necessary.

- (3) Remove any flame simulating condition such as false light.
  - (4) Note that any change made in the detector or its sighting requires a pilot turndown test.
3. If using an R7290 Ultraviolet Amplifier, replace the amplifier and recheck the flame relay dropout time. If the flame relay dropout timing is still excessive, replace the detector and check its wiring.
  4. If trouble persists, replace the R4795.

#### H. Miscellaneous problems

1. Repeated lockouts or control failures: The most common causes of repeated failures of the control or flame detector, or repeated lockouts are:
  - a. High ambient temperatures over 125°F (52°C). Subtract 10°F (6°C) for alarm contacts and 10°F (6°C) for 50 Hz operation. -40°F (-40°C) models have a maximum ambient of +115°F (46°C) at 60 Hz, +105°F (40°C) at 50 Hz.
  - b. Supply voltage variation greater than plus 10 to minus 15 percent.
  - c. Marginal flame signal.
  - d. Faulty flame detector.
2. Ignition interference (flame rod installations only)
 

*What it is.* Ignition interference is a false signal from a spark ignition source superimposed on the basic flame signal. It is normally associated with a marginal flame reading, and usually caused by a marginal flame ground.

*How detected.* The arc gap circuit in the rectification amplifier (Fig. 10) protects the R4795 from ignition interference; however, it also prevents operations when ignition interference is present above the arcing level of the device. If a shutdown is caused by ignition interference, the arc gap protector glows.

Continuous interference below the arcing level can be detected by reading the flame current with the pilot and ignition on; then with only the pilot on. Any substantial difference indicates the presence of ignition interference.

Intermittent ignition interference may be due to very turbulent air in the ignition electrode area. For arc-over elsewhere, examine the electrodes for spacing and for unusual dirt conditions or dust accumulations between the ignition leads and flame leads.

*How eliminated* (tabulated in order of importance).

1. Provide adequate flame grounding area.
2. Be sure the ignition electrode and the flame rod are on opposite sides of the grounding area.
3. Check for the correct spacings on the ignition electrode. Spacing should be 1/16 in. (1.6 mm) to 3/32 in. (2.4 mm) for 6,000V systems; 1/8 in. (3.2 mm) to 3/16 in. (4.8 mm) for 10,000V systems.
4. Eliminate any marginal spacings at other areas along the lead routes. Replace any deteriorated leads.

## Service

### GENERAL

1. Only qualified personnel should attempt to service heating equipment or controls.
2. Perform all checks required in the Checkout section when replacing the R4795, or when relighting or restoring power to the system after shutdown.
3. Captive mounting screws carry current; always disconnect power before loosening or tightening the mounting screws.
4. On each service call, check the controller for the approximately correct calibration and differential; assure it is mounted securely (see Controller installation instructions).
5. Never use oil on any part of the R4795.
6. When cleaning the burner, clean the flame detector.
7. DO NOT MANUALLY PUSH IN THE R4795 RELAYS. This may damage the relays and it is an unsafe practice because it overrides the protective features of the relays. Clean relay contacts *only* as instructed following.

### PERIODIC MAINTENANCE

The specific maintenance schedule setup will depend on several factors including type of equipment being controlled,

operating conditions (dirt and heat especially), and the cost of a nuisance shutdown. Include the following in any program:

Annually replace the vacuum tubes in the C7012 Flame Detector (if used).

Perform a flame failure check and pilot turndown test whenever the burner is serviced, and at least annually.

Inspect and clean the detector and any viewing windows as often as required by soot accumulation and heat conditions at the detector.

Do a flame current check at least monthly, and more often where a shutdown may be costly.

Clean contacts *only* when required by failure to operate properly.

### CONTACT CLEANING



## CAUTION

Open the master switch before removing cover or cleaning contacts. Line voltage is present on most contacts when power is on.

**IMPORTANT:**

1. *Do not clean contacts unless absolutely necessary.*
2. *Use only Honeywell Contact Cleaner part no. 132569. Do not use any other type of contact cleaner.*
3. *Use extreme care to avoid bending the contacts or changing the specifications or configuration in any way.*
4. *Do not use an abrasive or a burnishing tool to clean contacts.*
5. *Do not use hard paper such as a business card to clean contacts.*

If relay contacts must be cleaned, use only Honeywell Pressurized Contact Cleaner, part no. 132569. Honeywell's chemical analysis laboratory has found this cleaner to be acceptable for this task. Directions for using this cleaner are printed on the can.

Do not risk using any other types of contact cleaners. Honeywell's chemical analysis laboratory tested other pressurized type contact cleaners but did not approve them for these reasons:

1. Some had solvents that could deteriorate plastic parts and wire insulation.

2. Some leave an oily residue that will collect dust and dirt. The residue will also break down to form various carbonaceous products. Either result will cause early contact failure.

Do not use an abrasive (sand paper stock, file, etc.) or a burnishing tool to clean contacts. Its use can cause early contact failure for these reasons:

1. Some relay contacts are plated with gold for increased reliability. Burnishing can quickly remove the plating.

2. The radii or points of the contacts are designed with specific shapes to best serve the intended functions of the contacts. Burnishing can rapidly alter these contact configurations.

3. Use of an abrasive loosens fine particles of the contact material that adhere to the surface of the contact, thus increasing its resistance.

4. Contact specifications (contact pressures, press-back, and gaps) are carefully controlled during manufacturing to assure maximum contact life. Burnishing can easily change these specifications.



**Honeywell**

---

**Home and Building Control**

Honeywell Inc.  
1985 Douglas Drive North  
Golden Valley, MN 55422

**Home and Building Control**

Honeywell Limited—Honeywell Limitée  
740 Ellesmere Road  
Scarborough, Ontario  
M1P 2V9