

UV-1000, -2000, -3000 Series Unit Ventilator Control Modules

The Unit Ventilator Control Modules are compact combinations of pneumatic-to-electric and electric-to-pneumatic devices and optional thermostats which are used for unit ventilator control.

These control modules perform switching operations in conjunction with the control devices for the various cycles of operation and different forms of heating and cooling unit ventilators. The electrical devices, solenoid air valves, pressure electric switches, and optional low temperature detection thermostats are prewired and tested at the factory. Electrical connections which are ordinarily made between the controls and the unit ventilator components are terminated instead in polarized plugs which simply plug into mating receptacles within the unit ventilator. Pneumatic control connections are made

with 5/32 or 1/4 in. O.D. polytubing to barbed fittings provided on the modules.

Models

Three series of modules are available for the following types of unit ventilator control:

UV-1000: No Night Operation
UV-2000: Zone Night Operation
UV-3000: Room Night Operation

These modules are available with or without a low temperature detection thermostat and cooling lockout thermostat. In addition, several other alternatives are available (see Table 1). Because of the many possible combinations, code numbers have been assigned with each digit representing a different feature of the control module. Regardless of which combination is chosen, all modules are UL Recognized.

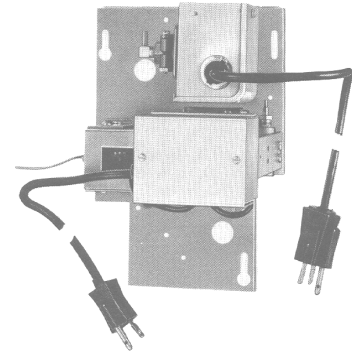


Fig. 1: Typical UV-2000 Series Module with Optional Low Temperature Detection Thermostat

Table 1: Code Number Descriptions

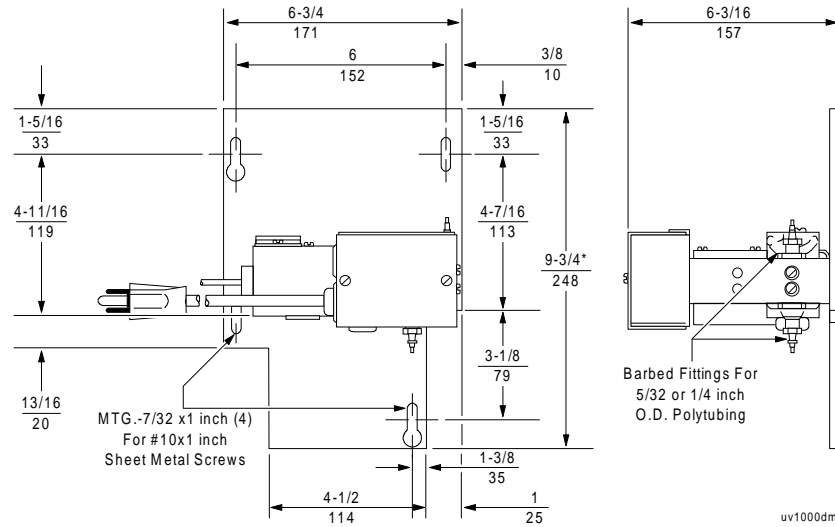
Digit	Available Choices	Description
First	1	No Night Operation
	2	Zone Night Operation
	3	Room Night Operation
Second	0	Without Low Temperature Detection Thermostat
	1	With Low Temperature Detection Thermostat
Third	0	Without Cooling Lockout Thermostat
	1	With Cooling Lockout Thermostat
Fourth	0	Without Cooling Changeover (See Note Below)
	1	Electric Heat * (Not Available on UV-2000 Models)
	2	Single Cooling Changeover (Not Available on UV-2000 Models)
	4	Single Cooling Changeover and Additional Cooling Changeover EP (Available on UV-3000 Models Only)
	6	Duplex Cooling Changeover
	7	Duplex Cooling Changeover and Electric Heat *

* Requires Unit Ventilator Model G-7185 Step Controller with cord and plug on solenoid air valve.

Note: All UV Control Modules Include a V11UAA Solenoid Air Valve for the outside air damper actuator.

Mounting

The UV Control Modules are designed for easy installation in a unit ventilator end compartment. They may be installed directly by the unit ventilator manufacturer or field mounted by Johnson Controls personnel. In either case, mounting holes are provided by the unit ventilator manufacturer to facilitate installation of the modules.



**Fig. 2: Typical Unit Ventilator Module
Dimensions in./mm**

***For UV-3000 Series Modules, Add 1/4 in. (6 mm)
to Overall Height Dimension**

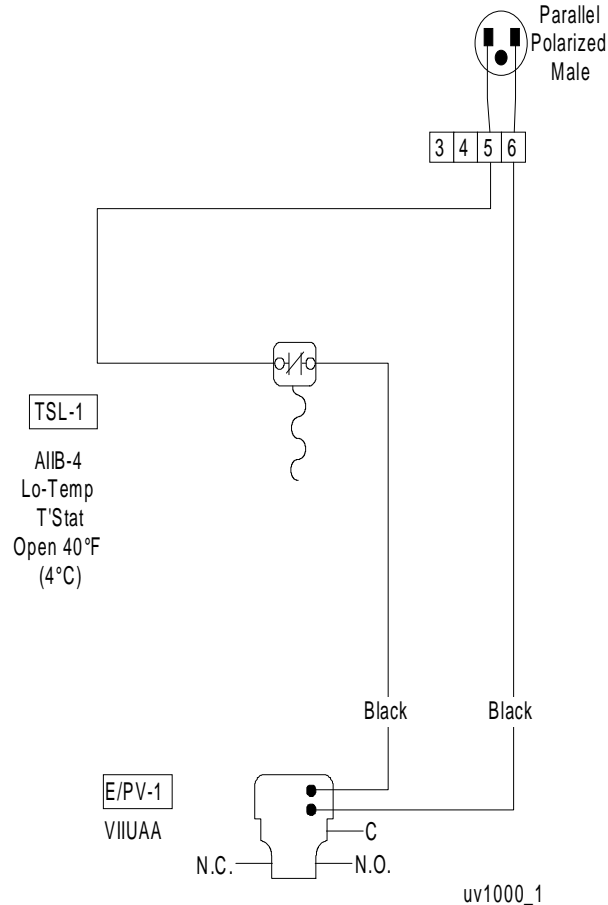


Fig. 3: Typical UV-1000 Series Wiring Diagram

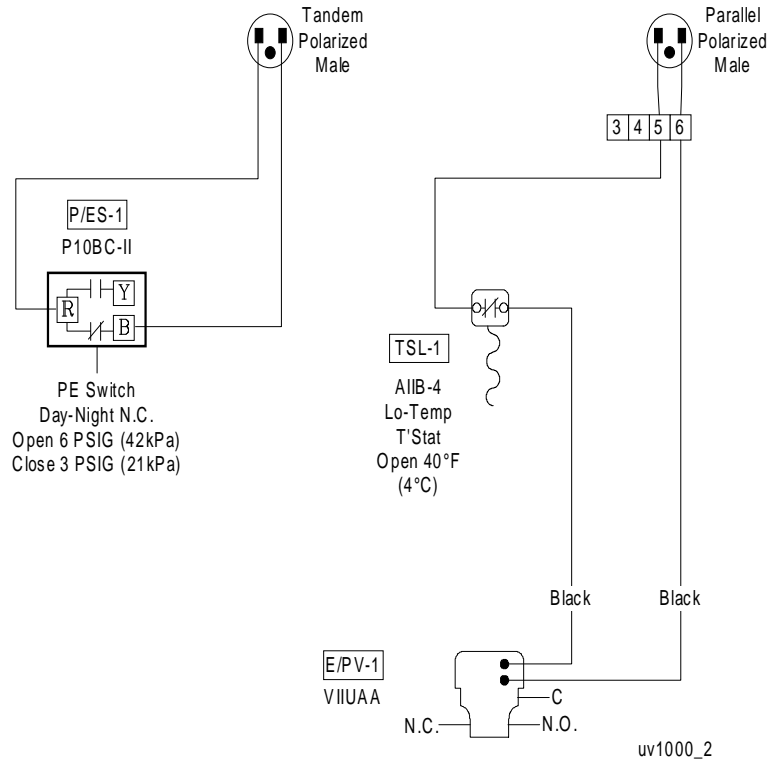


Fig. 4: Typical UV-2000 Series Wiring Diagram

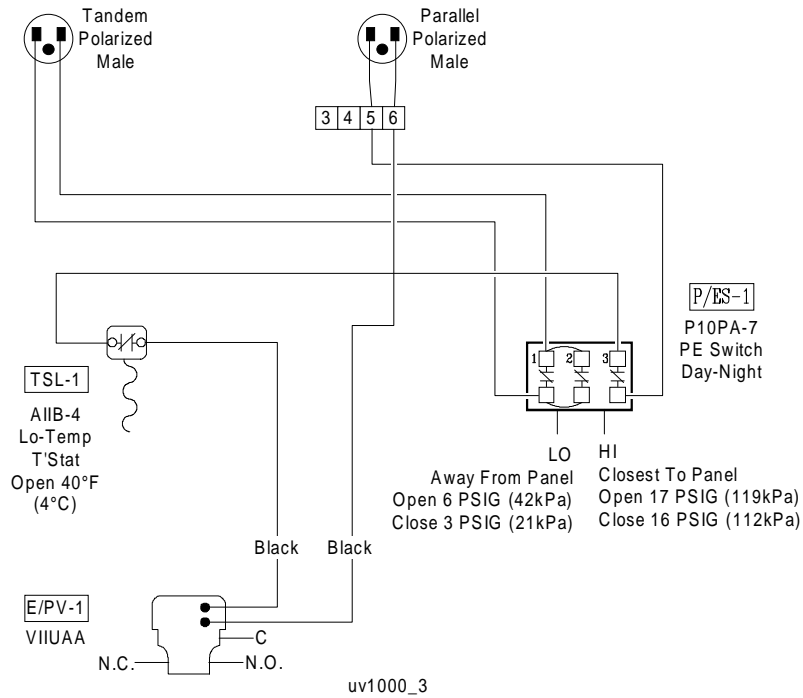


Fig. 5: Typical UV-3000 Series Wiring Diagram

Unit Ventilator Control Modules Description of Code Number

Table 2: UV-1000 Series

Code Number	V11UAA O.A.	V11UAA Change-over	P10BC-11 Change-over	P10-FC-5 Change-over	A28AB3 Cooling Lockout	A11B4 Low Temp Detection Stat	I I Conn. for Step Controller	/I\ Conn. to Cooling Chassis	I•I Male Cord & Plug	←Plug Configurations
UV-1000-101	1								1	
UV-1001-101	1						1		1	
UV-1002-101	1	1	1						1	
UV-1006-101	1	1		1				1	1	
UV-1016-101	1	1		1	1			1	1	
UV-1100-101	1					1			1	
UV-1106-101	1	1		1		1		1	1	
UV-1116-101	1	1		1	1	1		1	1	

Table 3: UV-2000 Series

Code Number	V11UAA O.A.	V11UAA Change-over	P10BC-11 Change-over	P10-FC-5 Change-over	A28AB3 Cooling Lockout	A11B4 Low Temp Detection Stat	/I\ Conn. to Cooling Chassis	I•I Male Cord & Plug	--•-- Male Cord & Plug	←Plug Configurations
UV-2000-101	1		1					1	1	
UV-2016-101	1	1	1	1	1		1	1	1	
UV-2100-101	1		1			1		1	1	

Table 4: UV-3000 Series

Code Number	V11UAA O.A.	V11UAA Change-over	P10BC-11 Change-over	P10PA-7 D-N	P10-FC-5 Change-over	A28AB3 Cooling Lockout	A11B4 Low Temp Detection Stat	I I Conn. for Step Controller	/I\ Conn. to Cooling Chassis	I•I Male Cord & Plug	--•-- Male Cord & Plug	←Plug Configurations
UV-3000-101	1			1						1	1	
UV-3001-101	1			1				1		1	1	
UV-3004-101	1	2	1	1						1	1	
UV-3006-101	1	1		1	1				1	1	1	
UV-3007-101	1	1		1	1			1	1	1	1	
UV-3016-101	1	1		1	1	1			1	1	1	
UV-3017-101	1	1		1	1	1		1	1	1	1	
UV-3100-101	1			1			1			1	1	
UV-3102-101	1	1	1	1			1			1	1	
UV-3104-101	1	2	1	1			1			1	1	
UV-3106-101	1	1		1	1		1		1	1	1	
UV-3116-101	1	1		1	1	1	1		1	1	1	

Controls Group
507 E. Michigan Street
P.O. Box 423
Milwaukee, WI 53202

Printed in U.S.A.